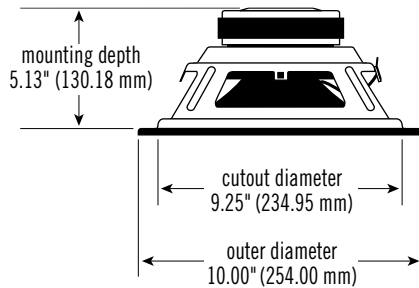


SPECIFICATIONS

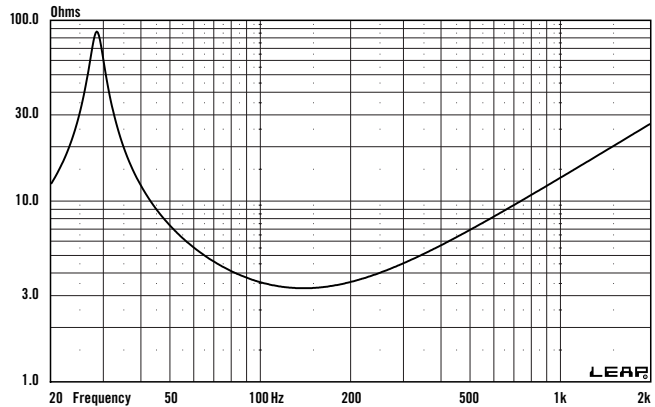
DIAMETER: 10" (254.0 mm)
 SENSITIVITY (2.83 V @ 1 m): 94 dB
 POWER HANDLING: 260 W_{RMS}
 FREQUENCY RESPONSE: 30 ~ 3,500 Hz
 NOMINAL IMPEDANCE: 4 OHMS
 VOICE-COIL DIAMETER: 2.0" (50.7 mm)
 DIMENSIONS:



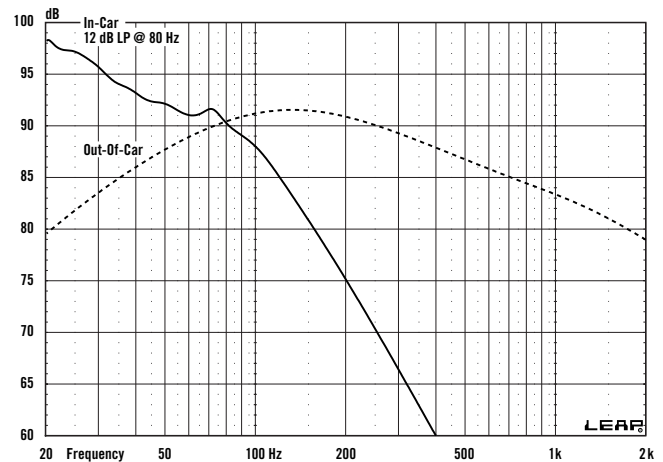
THIELE-SMALL PARAMETERS

VOICE COIL DC RESISTANCE: R_{EVC} (OHMS) 3.23
 VOICE COIL INDUCTANCE @ 1 kHz: L_{EVC} (MH) 2.13
 DRIVER RADIATING AREA: S_D (IN²) 54.78
 S_D (CM²) 355.00
 MOTOR FORCE FACTOR: BL (TM) 11.48
 COMPLIANCE VOLUME: V_{AS} (FT³) 2.62
 V_{AS} (LITERS) 61.73
 SUSPENSION COMPLIANCE: C_{MS} (µM/N) 344.94
 MOVING MASS, AIR LOAD: M_{MS} (GRAMS) 89.53
 MOVING MASS, DIAPHRAGM: M_{MD} (GRAMS) 85.68
 FREE-AIR RESONANCE: F_S (Hz) 28.64
 MECHANICAL Q: Q_{MS} 10.20
 ELECTRICAL Q: Q_{ES} 0.40
 TOTAL Q: Q_{TS} 0.38
 MAGNETIC-GAP HEIGHT: H_{AG} (IN) 0.31
 H_{AG} (MM) 7.92
 VOICE-COIL HEIGHT: H_{VC} (IN) 0.88
 H_{VC} (MM) 22.23
 MAXIMUM EXCURSION: X_{MAX} (IN) 0.28
 X_{MAX} (MM) 7.15

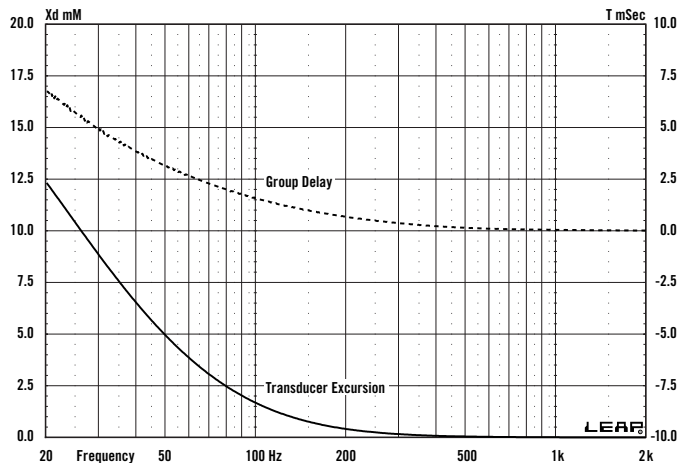
IMPEDANCE CURVE



INFINITE Baffle FREQUENCY RESPONSE @ 2.83 V



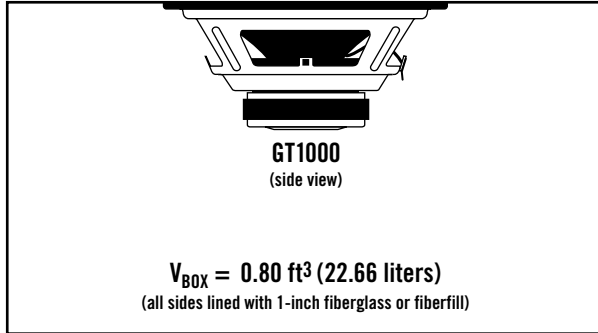
INFINITE Baffle EXCURSION/GROUP DELAY @ 50 W



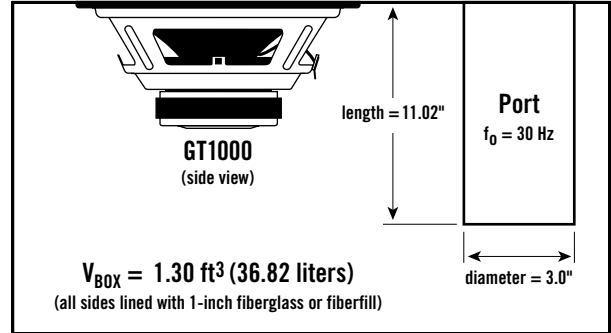


GT1000 10" Woofer – Technical Data

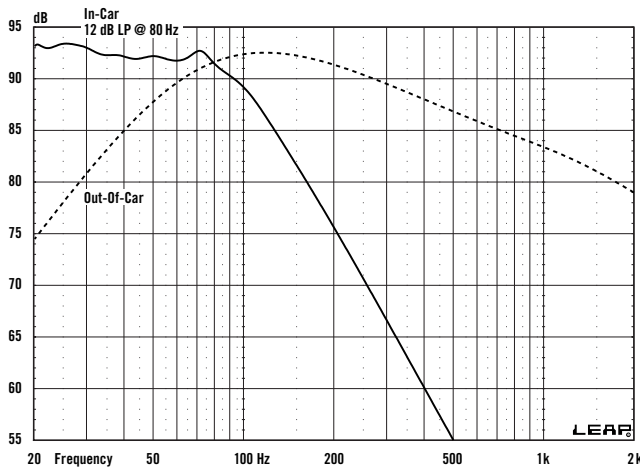
SEALED BOX VOLUME



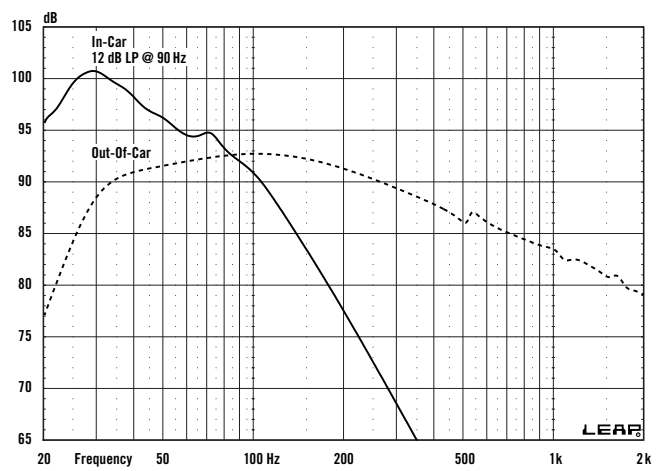
VENTED BOX VOLUME



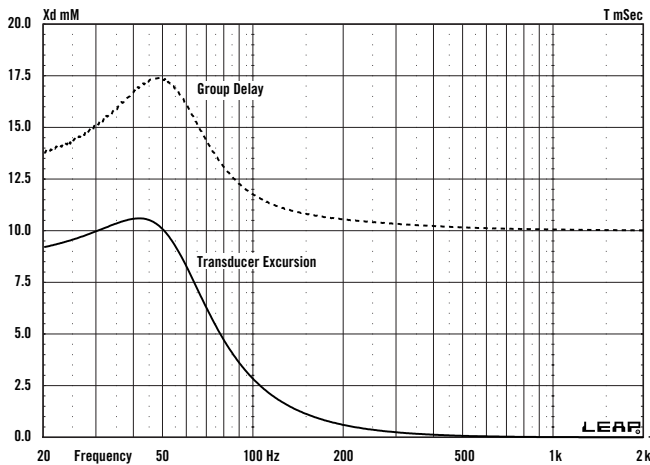
SEALED FREQUENCY RESPONSE @ 2.83 V



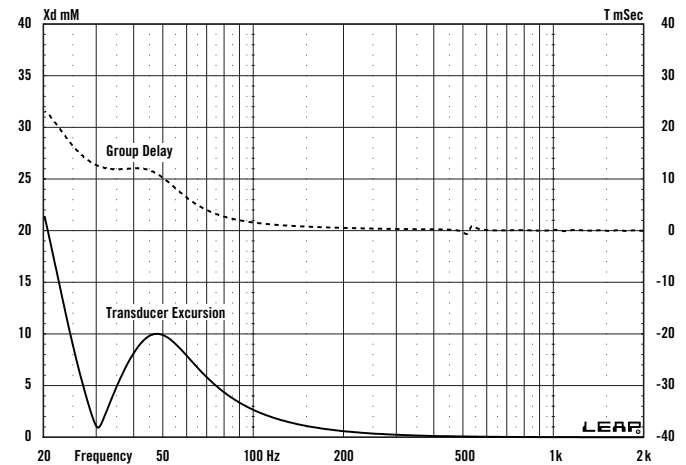
VENTED FREQUENCY RESPONSE @ 2.83 V



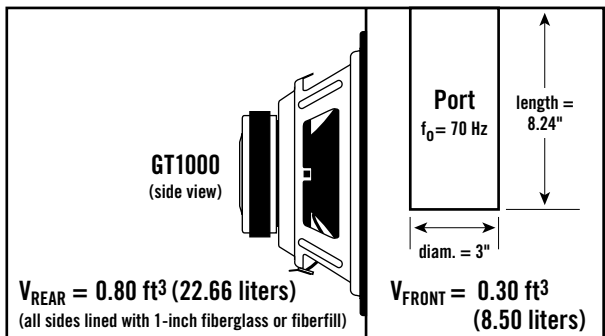
SEALED EXCURSION/GROUP DELAY @ 200 W



VENTED EXCURSION/GROUP DELAY @ 200 W

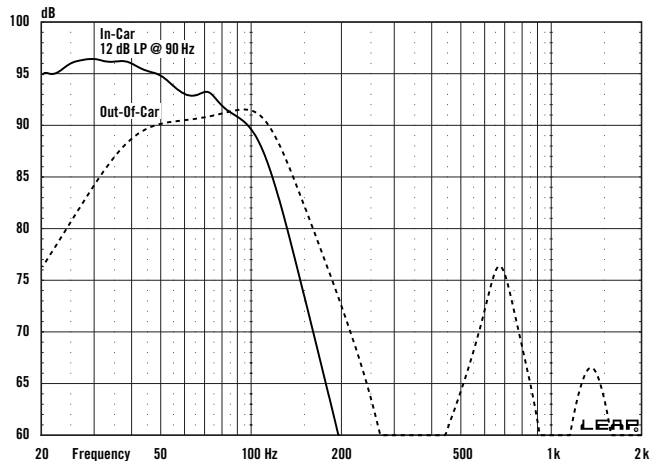


**SEALED BANDPASS
BOX VOLUME**



NOTES

**SEALED BANDPASS
FREQUENCY RESPONSE @ 2.83 V**



**SEALED BANDPASS
EXCURSION/GROUP DELAY @ 150 W**

