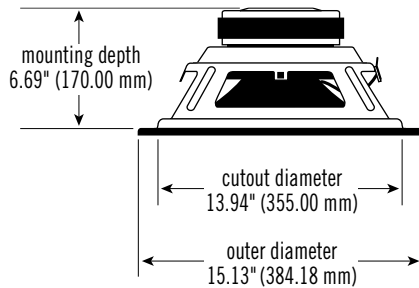


## SPECIFICATIONS

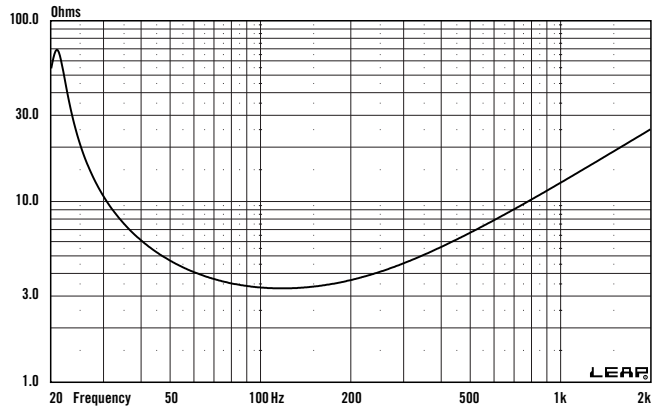
DIAMETER:	15" (381.0 mm)
SENSITIVITY (2.83 V @ 1 m):	97 dB
POWER HANDLING:	300 W <sub>RMS</sub>
FREQUENCY RESPONSE:	20 ~ 2,000 Hz
NOMINAL IMPEDANCE:	4 OHMS
VOICE-COIL DIAMETER:	2.0" (50.7 mm)
DIMENSIONS:	



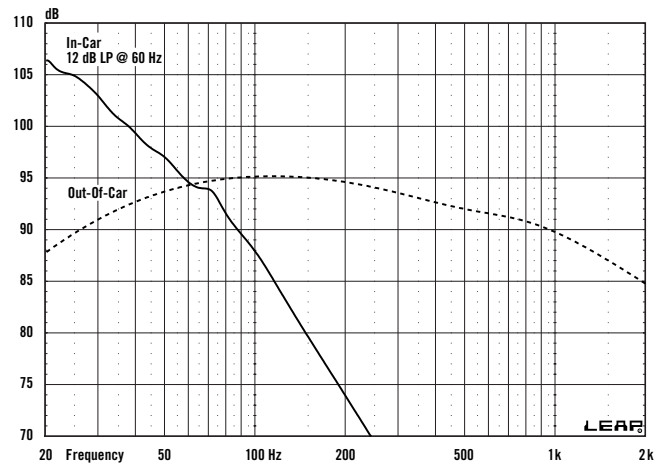
## THIELE-SMALL PARAMETERS

VOICE COIL DC RESISTANCE:	$R_{EVC}$ (OHMS) . . . . .	3.25
VOICE COIL INDUCTANCE @ 1 kHz:	$L_{EVC}$ (MH) . . . . .	1.99
DRIVER RADIATING AREA:	$S_D$ (IN <sup>2</sup> ) . . . . .	131.94
	$S_D$ (CM <sup>2</sup> ) . . . . .	855.00
MOTOR FORCE FACTOR:	$BL$ (TM) . . . . .	11.16
COMPLIANCE VOLUME:	$V_{AS}$ (FT <sup>3</sup> ) . . . . .	19.67
	$V_{AS}$ (LITERS) . . . . .	463.93
SUSPENSION COMPLIANCE:	$C_{MS}$ (µM/N) . . . . .	446.91
MOVING MASS, AIR LOAD:	$M_{MS}$ (GRAMS) . . . . .	127.79
MOVING MASS, DIAPHRAGM:	$M_{MD}$ (GRAMS) . . . . .	113.42
FREE-AIR RESONANCE:	$F_S$ (Hz) . . . . .	21.06
MECHANICAL Q:	$Q_{MS}$ . . . . .	8.90
ELECTRICAL Q:	$Q_{ES}$ . . . . .	0.44
TOTAL Q:	$Q_{TS}$ . . . . .	0.42
MAGNETIC-GAP HEIGHT:	$H_{AG}$ (IN) . . . . .	0.31
	$H_{AG}$ (MM) . . . . .	7.92
VOICE-COIL HEIGHT:	$H_{VC}$ (IN) . . . . .	0.67
	$H_{VC}$ (MM) . . . . .	17.04
MAXIMUM EXCURSION:	$X_{MAX}$ (IN) . . . . .	0.18
	$X_{MAX}$ (MM) . . . . .	4.56

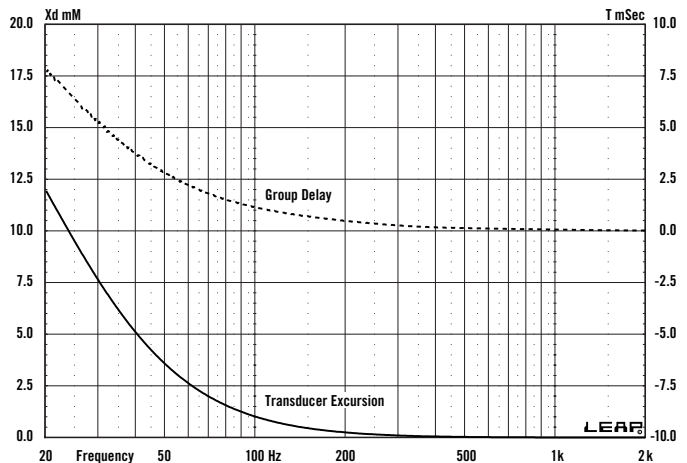
## IMPEDANCE CURVE



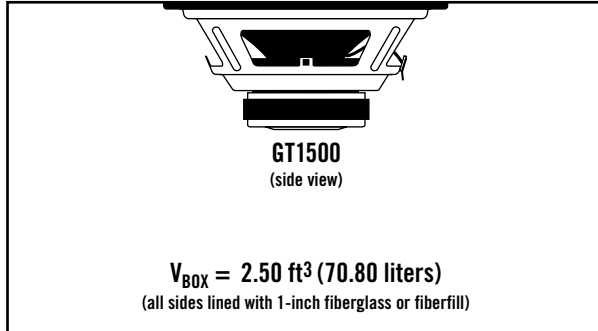
## INFINITE Baffle FREQUENCY RESPONSE @ 2.83 V



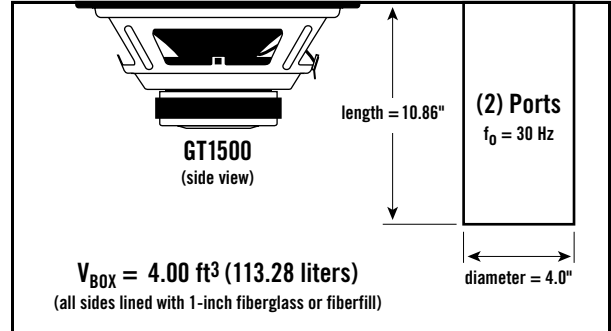
## INFINITE Baffle EXCURSION/GROUP DELAY @ 40 W



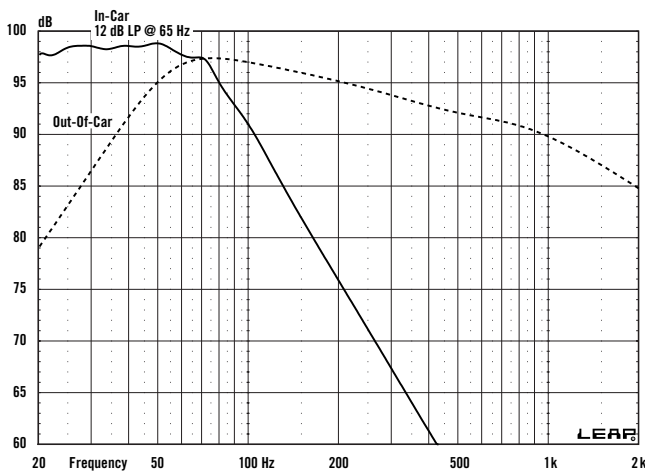
## SEALED BOX VOLUME



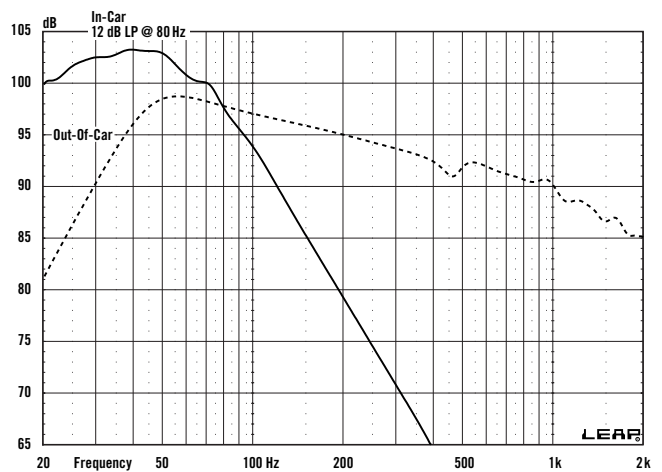
## VENTED BOX VOLUME



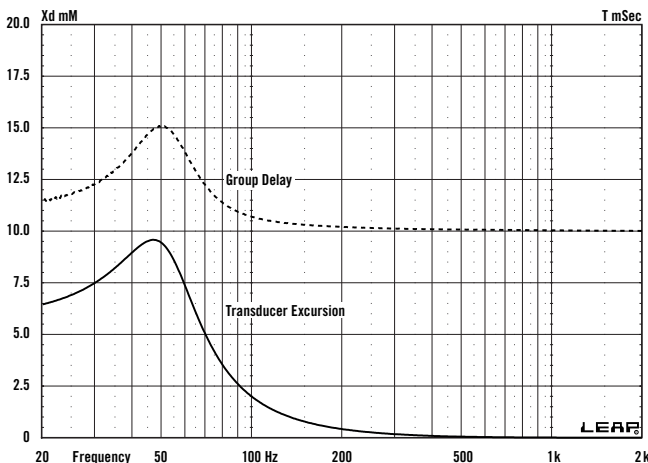
## SEALED FREQUENCY RESPONSE @ 2.83 V



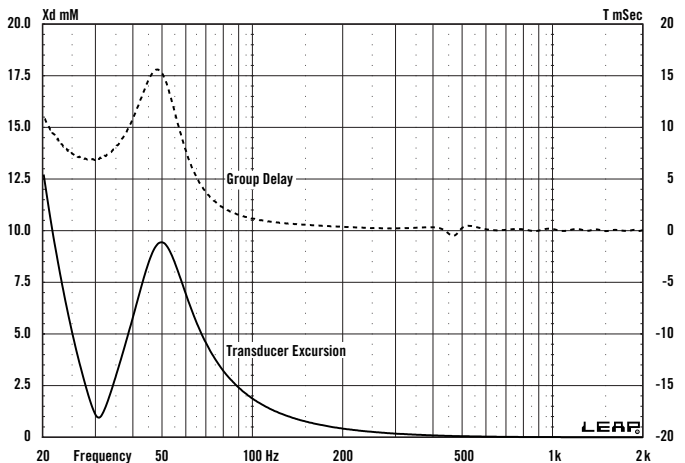
## VENTED FREQUENCY RESPONSE @ 2.83 V



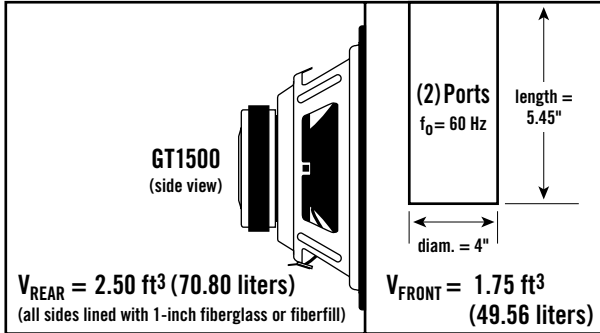
## SEALED EXCURSION/GROUP DELAY @ 200 W



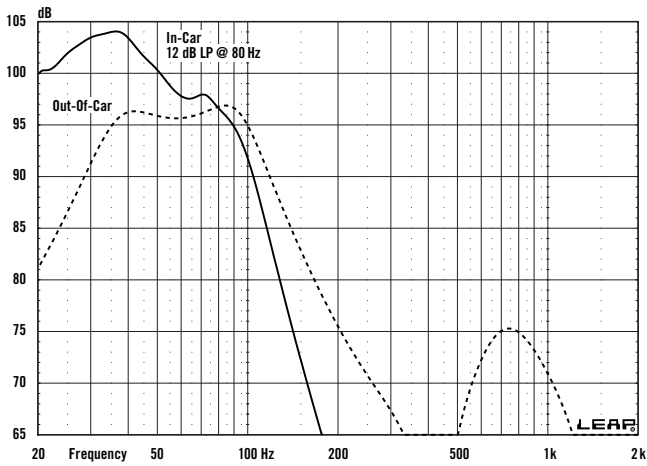
## VENTED EXCURSION/GROUP DELAY @ 250 W



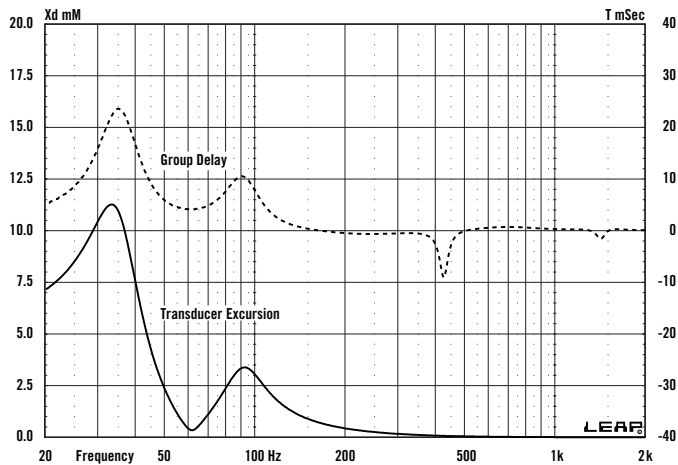
### SEALED BANDPASS BOX VOLUME



### SEALED BANDPASS FREQUENCY RESPONSE @ 2.83 V



### SEALED BANDPASS EXCURSION/GROUP DELAY @ 200 W



### NOTES