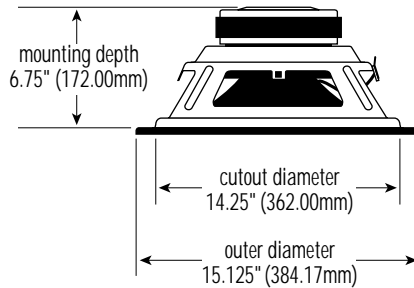


SPECIFICATIONS

DIAMETER:	15" (380mm)
SENSITIVITY (2.83V @ 1M):	91dB
POWER HANDLING:	250W _{RMS} /1000W _{PEAK}
FREQUENCY RESPONSE:	20Hz ~ 400Hz
NOMINAL IMPEDANCE:	4 OHMS
VOICE COIL DIAMETER:	2" (50.70mm)

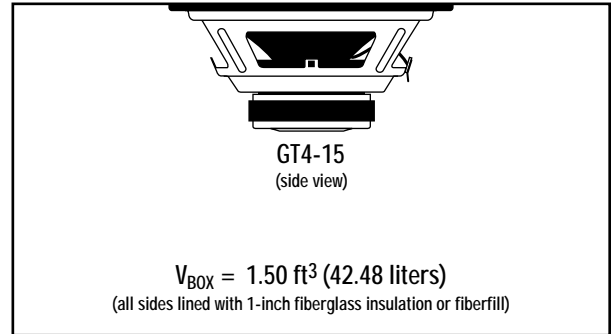
DIMENSIONS:



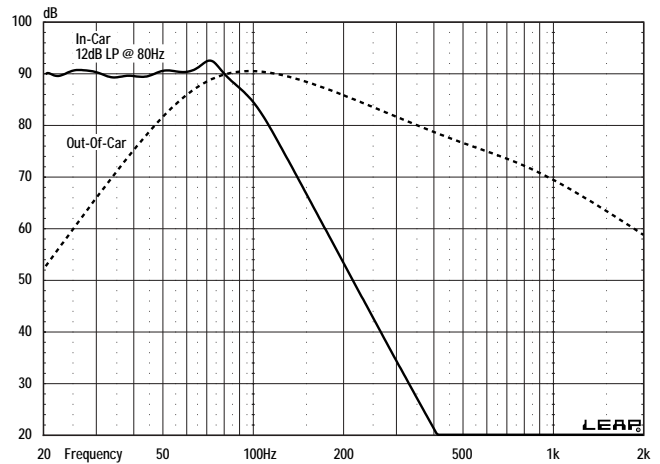
THIELE-SMALL PARAMETERS

VOICE COIL DC RESISTANCE:	R_{EVC} (OHMS)	3.60
VOICE COIL INDUCTANCE @ 1kHz:	L_{EVC} (MH)	3.10
DRIVER RADIATING AREA:	S_D (IN ²)	132.53
	S_D (CM ²)	855.00
MOTOR FORCE FACTOR:	BL (TM)	18.32
COMPLIANCE VOLUME:	V_{AS} (FT ³)	4.70
	V_{AS} (LITERS)	133.00
SUSPENSION COMPLIANCE:	C_{MS} (µM/N)	128.12
MOVING MASS, AIR LOAD:	M_{MS} (GRAMS)	245.80
MOVING MASS, DIAPHRAGM:	M_{MD} (GRAMS)	231.42
FREE-AIR RESONANCE:	F_S (Hz)	28.36
MECHANICAL Q:	Q_{MS}	7.35
ELECTRICAL Q:	Q_{ES}	0.47
TOTAL Q:	Q_{TS}	0.44
MAGNETIC-GAP HEIGHT:	H_{AG} (IN)	1.30
	H_{AG} (MM)	33.00
VOICE COIL HEIGHT:	H_{VC} (IN)	0.31
	H_{VC} (MM)	8.00
MAXIMUM EXCURSION:	X_{MAX} (IN)	0.49
	X_{MAX} (MM)	12.50

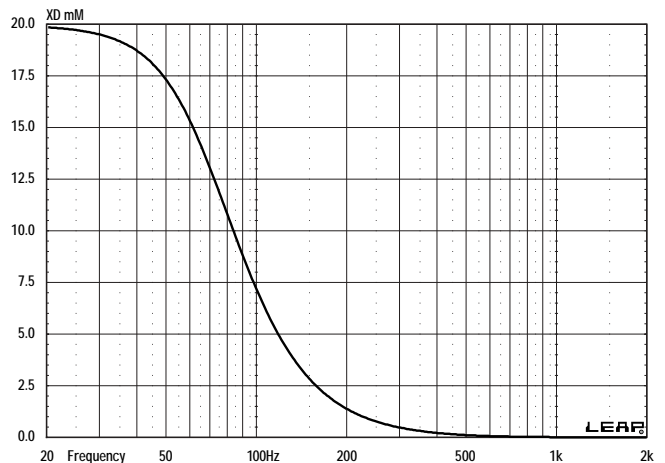
SEALED BOX VOLUME (INCLUDES DRIVER DISPLACEMENT)



SEALED FREQUENCY RESPONSE @ 2.83V



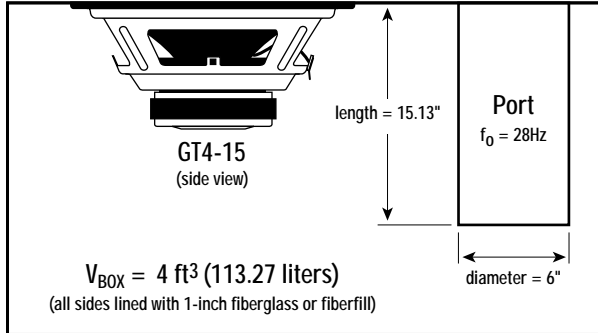
SEALED TRANSDUCER EXCURSION @ 250W



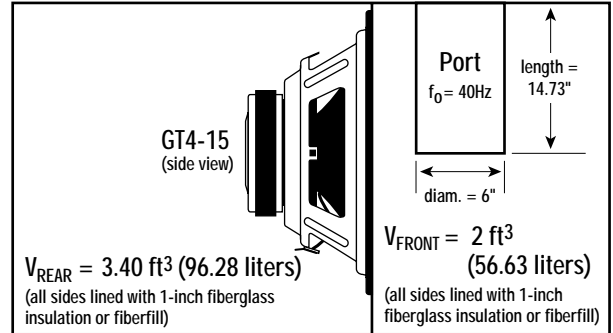


GT4-15 380mm Woofer – Technical Data

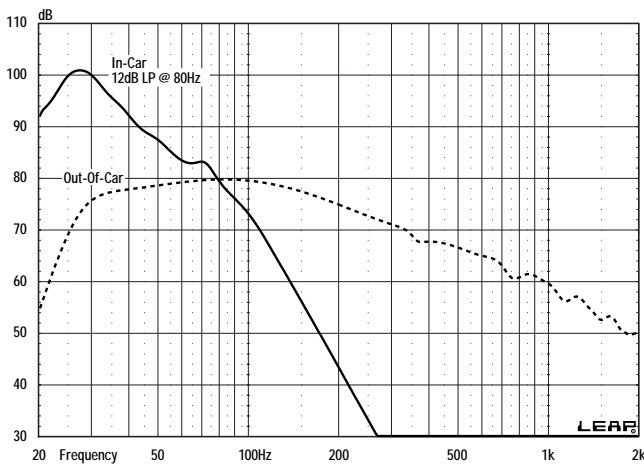
VENTED BOX VOLUME (INCLUDES DRIVER/PORT DISPLACEMENTS)



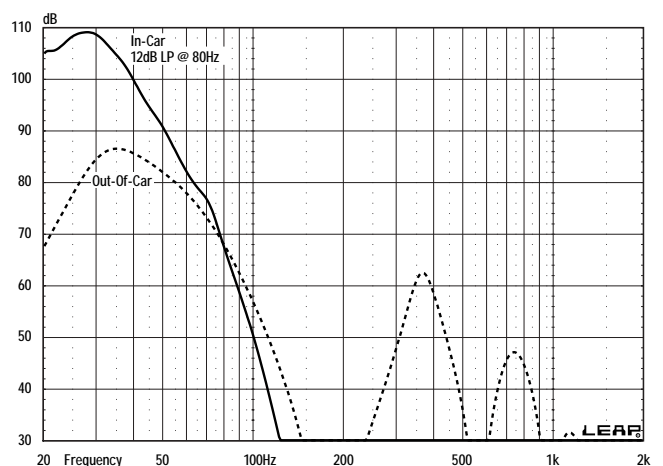
SEALED BANDPASS BOX VOLUME (INCLUDES DRIVER/PORT DISPLACEMENTS)



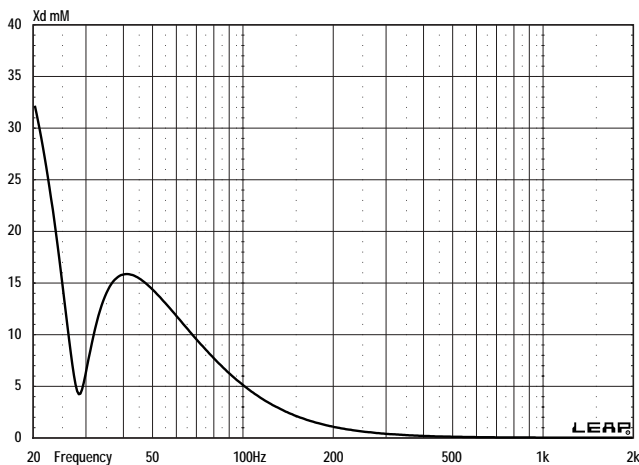
VENTED FREQUENCY RESPONSE @ 2.83V



SEALED BANDPASS FREQUENCY RESPONSE @ 2.83V



VENTED TRANSDUCER EXCURSION @ 250W



SEALED BANDPASS TRANSDUCER EXCURSION @ 250W

