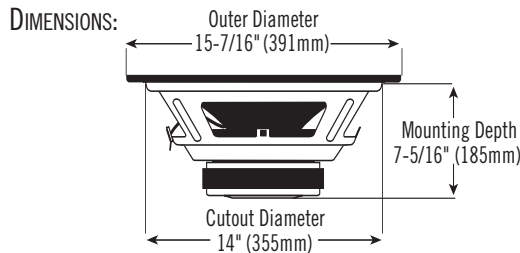




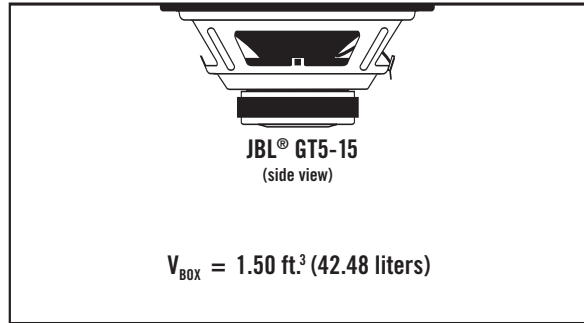
GT5-15 15" Woofer – Technical Data

SPECIFICATIONS

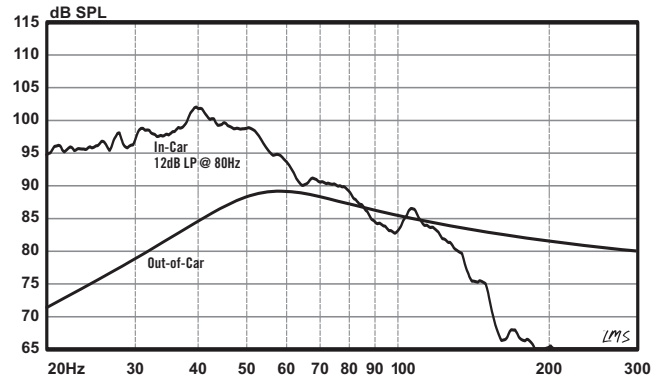
DIAMETER:	15" (381mm)
SENSITIVITY (2.83V @ 1m):	92dB
POWER HANDLING:	300W _{RMS} 1200W _{PEAK}
FREQUENCY RESPONSE:	25Hz – 400Hz
NOMINAL IMPEDANCE:	4 OHMS
VOICE-COIL DIAMETER:	2" (51mm)



SEALED BOX VOLUME (INCLUDES DRIVER DISPLACEMENT)



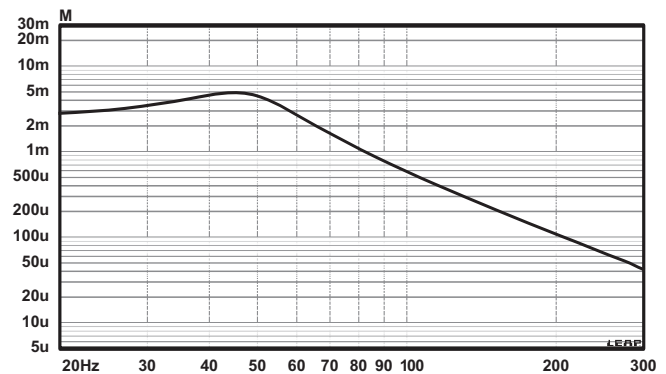
SEALED ENCLOSURE FREQUENCY RESPONSE @ 2.83V



THIELE-SMALL PARAMETERS

VOICE-COIL DC RESISTANCE:	R_{EVC} (OHMS)	3.63
VOICE-COIL INDUCTANCE @ 1kHz:	L_{EVC} (MH)	2.42
DRIVER RADIATING AREA:	S_D (IN ²)	132.5
	S_D (M ²)	855.00
MOTOR FORCE FACTOR:	BL (TM)	16.53
COMPLIANCE VOLUME:	V_{AS} (FT ³)	3.76
	V_{AS} (LITERS)	106.5
SUSPENSION COMPLIANCE:	C_{MS} (µM/N)	102.00
MOVING MASS, AIR LOAD:	M_{MS} (GRAMS)	332.00
MOVING MASS, DIAPHRAGM:	M_{MD} (GRAMS)	317.00
FREE-AIR RESONANCE:	F_S (Hz)	27.30
MECHANICAL Q:	Q_{MS}	5.70
ELECTRICAL Q:	Q_{ES}	0.76
TOTAL Q:	Q_{TS}	0.67
MAGNETIC-GAP HEIGHT:	H_{AG} (IN)	0.31
	H_{AG} (MM)	8.00
VOICE-COIL HEIGHT:	H_{VC} (IN)	1.45
	H_{VC} (MM)	37
MAXIMUM EXCURSION:	X_{MAX} (IN)	0.57
	X_{MAX} (MM)	14.50

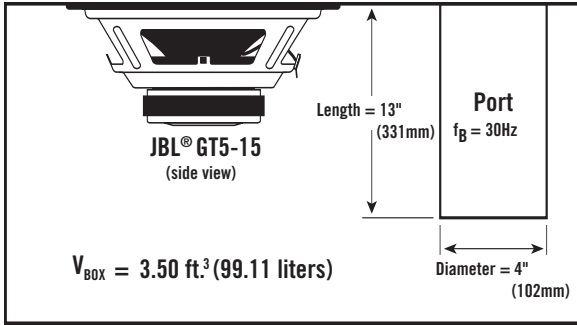
SEALED ENCLOSURE CONE EXCURSION @ 300W



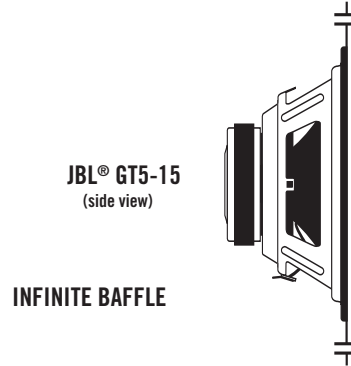


GT5-15 15" Woofer – Technical Data

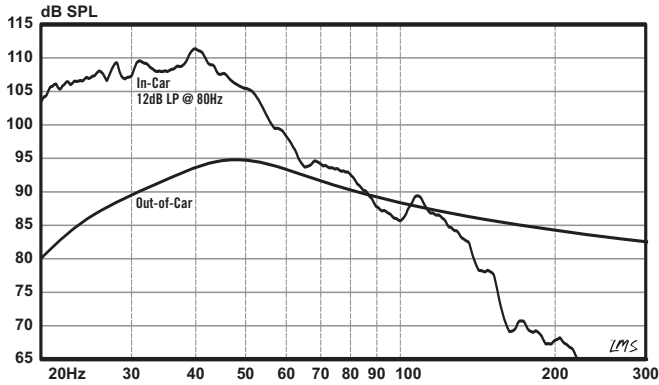
VENTED BOX VOLUME (INCLUDES DRIVER/PORT DISPLACEMENTS)



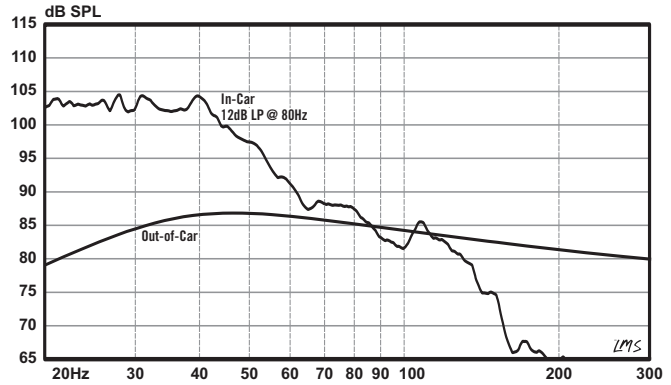
INFINITE Baffle



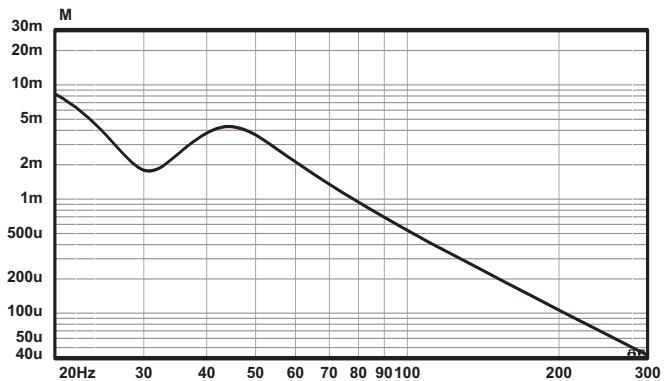
VENTED ENCLOSURE FREQUENCY RESPONSE @ 2.83V



INFINITE Baffle FREQUENCY RESPONSE @ 2.83V



VENTED ENCLOSURE CONE EXCURSION @ 300W



INFINITE Baffle EXCURSION @ 300W

