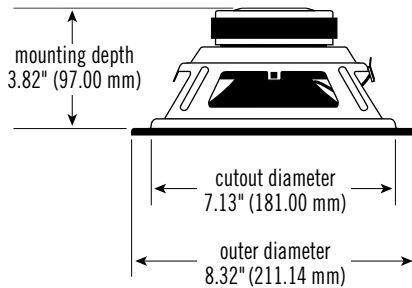


SPECIFICATIONS

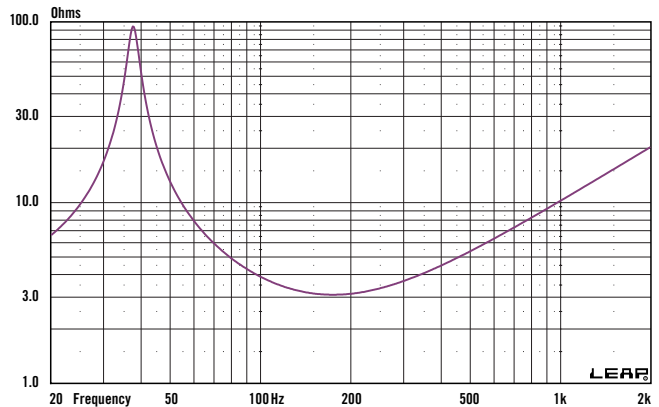
DIAMETER: 8" (203.2 MM)
 SENSITIVITY (2.83 V @ 1 m): 93 dB
 POWER HANDLING: 200 W_{RMS}
 FREQUENCY RESPONSE: 35 ~ 5,000 Hz
 NOMINAL IMPEDANCE: 4 OHMS
 VOICE-COIL DIAMETER: 1.5" (38.1 MM)
 DIMENSIONS:



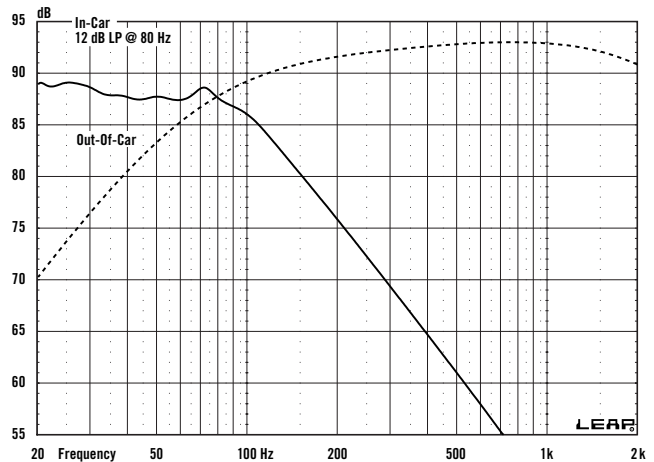
THIELE-SMALL PARAMETERS

VOICE COIL DC RESISTANCE: R_{EVC} (OHMS) 3.03
 VOICE COIL INDUCTANCE @ 1 kHz: L_{EVC} (MH) 1.62
 DRIVER RADIATING AREA: S_D (IN²) 33.02
 S_D (CM²) 214.00
 MOTOR FORCE FACTOR: BL (TM) 9.06
 COMPLIANCE VOLUME: V_{AS} (FT³) 1.04
 V_{AS} (LITERS) 24.60
 SUSPENSION COMPLIANCE: C_{MS} (µM/N) 378.28
 MOVING MASS, AIR LOAD: M_{MS} (GRAMS) 46.86
 MOVING MASS, DIAPHRAGM: M_{MD} (GRAMS) 45.06
 FREE-AIR RESONANCE: F_S (Hz) 37.80
 MECHANICAL Q: Q_{MS} 12.42
 ELECTRICAL Q: Q_{ES} 0.41
 TOTAL Q: Q_{TS} 0.40
 MAGNETIC-GAP HEIGHT: H_{AG} (IN) 0.31
 H_{AG} (MM) 7.92
 VOICE-COIL HEIGHT: H_{VC} (IN) 0.61
 H_{VC} (MM) 15.47
 MAXIMUM EXCURSION: X_{MAX} (IN) 0.15
 X_{MAX} (MM) 3.77

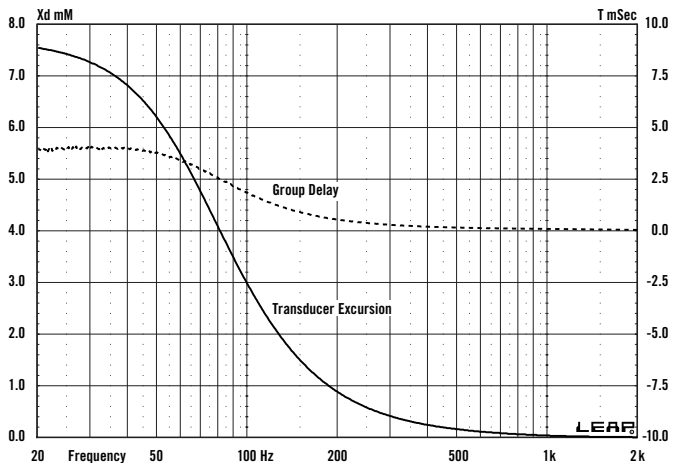
IMPEDANCE CURVE



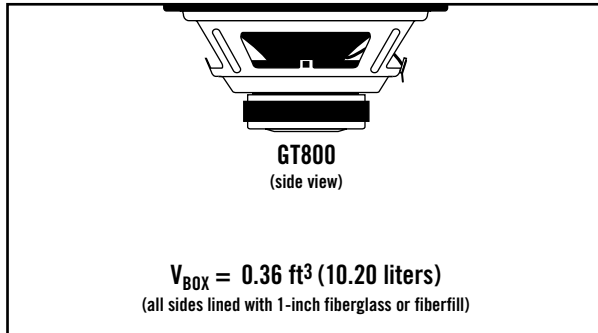
INFINITE Baffle FREQUENCY RESPONSE @ 2.83 V



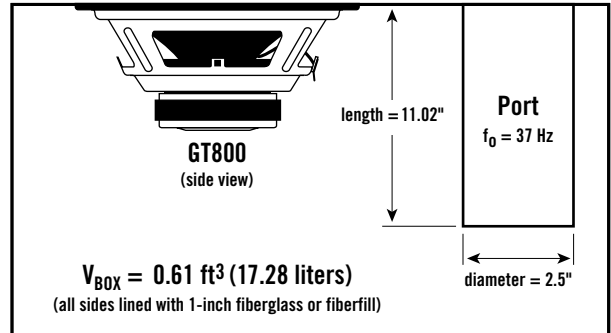
INFINITE Baffle EXCURSION/GROUP DELAY @ 75 W



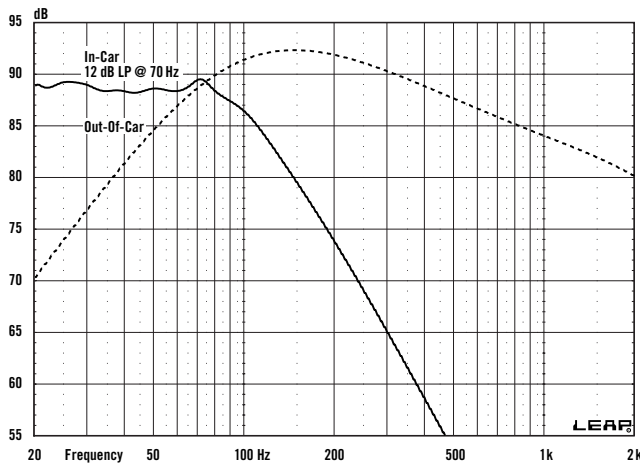
SEALED BOX VOLUME



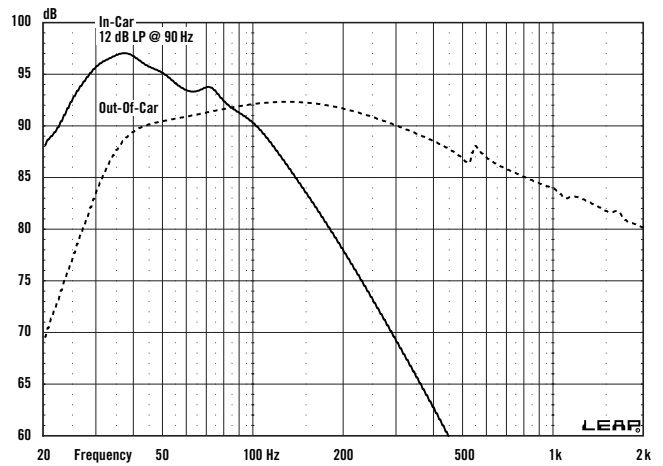
VENTED BOX VOLUME



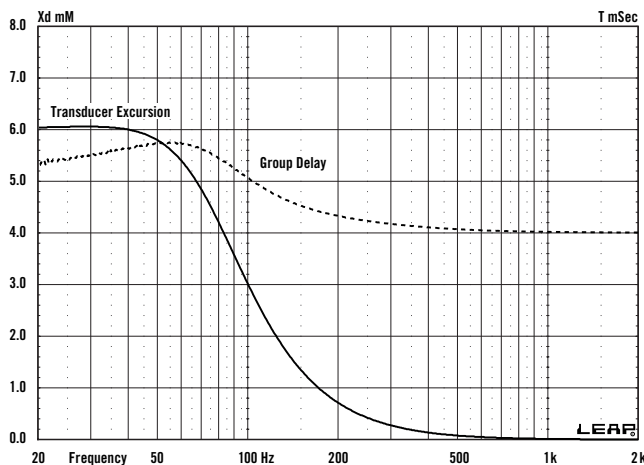
SEALED FREQUENCY RESPONSE @ 2.83 V



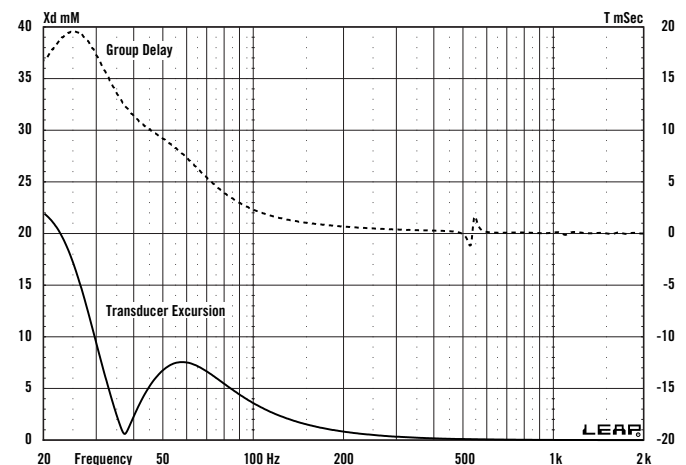
VENTED FREQUENCY RESPONSE @ 2.83 V



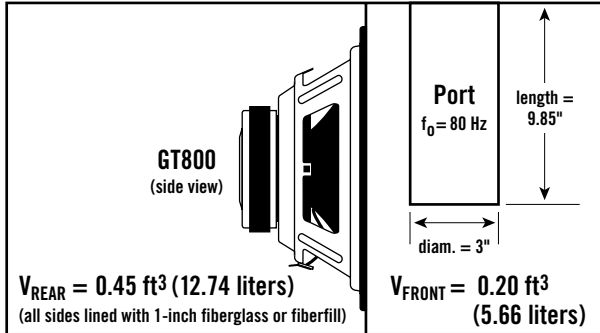
SEALED EXCURSION/GROUP DELAY @ 100 W



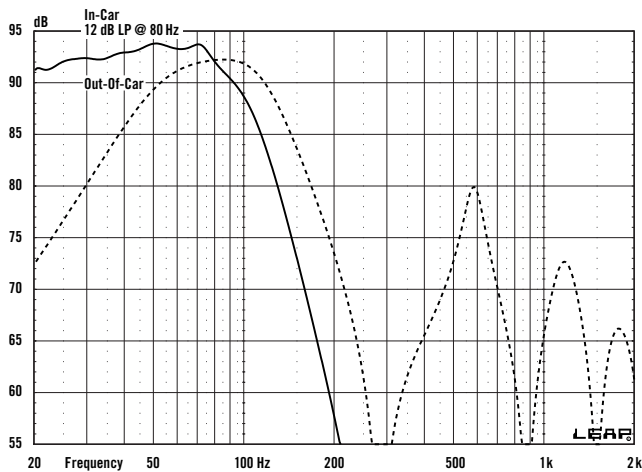
VENTED EXCURSION/GROUP DELAY @ 100 W



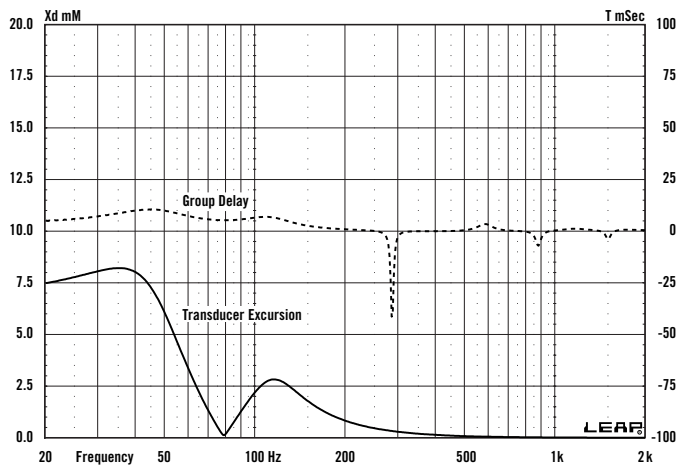
SEALED BANDPASS BOX VOLUME



SEALED BANDPASS FREQUENCY RESPONSE @ 2.83 V



SEALED BANDPASS EXCURSION/GROUP DELAY @ 100 W



NOTES