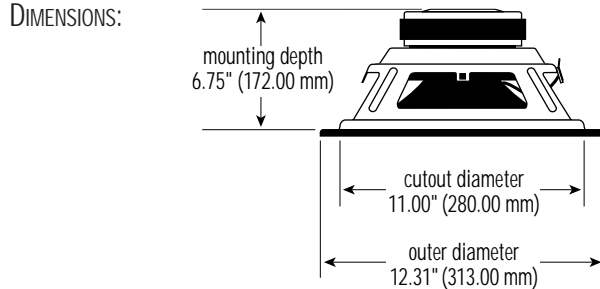


## SPECIFICATIONS

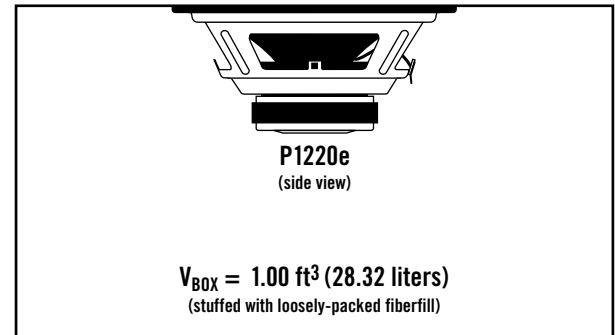
|                            |   |
|----------------------------|---|
| DIAMETER:                  | 12" (300.0 mm)                                  |
| SENSITIVITY (2.83 V @ 1M): | 91 dB   |
| POWER HANDLING:            | 400 W <sub>RMS</sub> (1,600 W <sub>PEAK</sub> ) |
| FREQUENCY RESPONSE:        | 20 ~ 400 Hz                                     |
| NOMINAL IMPEDANCE:         | 4 OHMS  |
| VOICE-COIL DIAMETER:       | 3.0" (76.2 mm)                                  |



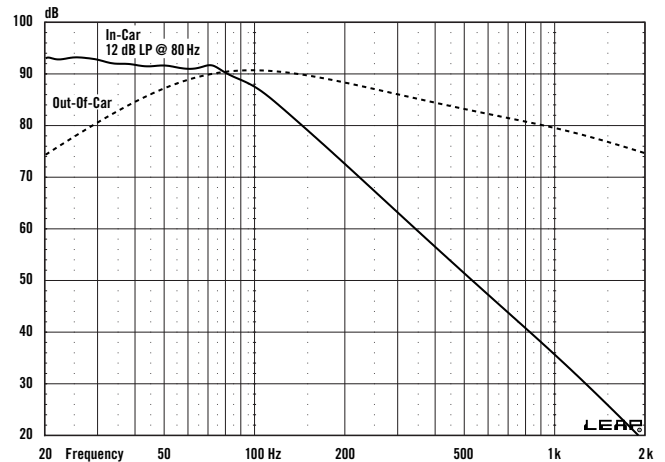
## THIELE-SMALL PARAMETERS

|                                |                                       |        |
|--------------------------------|---------------------------------------|--------|
| VOICE COIL DC RESISTANCE:      | $R_{EVC}$ (OHMS) . . . . .            | 3.98   |
| VOICE COIL INDUCTANCE @ 1 kHz: | $L_{EVC}$ (MH) . . . . .              | 1.86   |
| DRIVER RADIATING AREA:         | $S_D$ (IN <sup>2</sup> ) . . . . .    | 74.71  |
|                                | $S_D$ (CM <sup>2</sup> ) . . . . .    | 482.00 |
| MOTOR FORCE FACTOR:            | $BL$ (TM) . . . . .                   | 15.88  |
| COMPLIANCE VOLUME:             | $V_{AS}$ (FT <sup>3</sup> ) . . . . . | 1.87   |
|                                | $V_{AS}$ (LITERS) . . . . .           | 51.00  |
| SUSPENSION COMPLIANCE:         | $C_{MS}$ (µM/N) . . . . .             | 170.36 |
| MOVING MASS, AIR LOAD:         | $M_{MS}$ (GRAMS) . . . . .            | 182.31 |
| MOVING MASS, DIAPHRAGM:        | $M_{MD}$ (GRAMS) . . . . .            | 180.23 |
| FREE-AIR RESONANCE:            | $F_S$ (Hz) . . . . .                  | 28.50  |
| MECHANICAL Q:                  | $Q_{MS}$ . . . . .                    | 4.08   |
| ELECTRICAL Q:                  | $Q_{ES}$ . . . . .                    | 0.49   |
| TOTAL Q:                       | $Q_{TS}$ . . . . .                    | 0.44   |
| MAGNETIC-GAP HEIGHT:           | $H_{AG}$ (IN) . . . . .               | 0.47   |
|                                | $H_{AG}$ (MM) . . . . .               | 12.00  |
| VOICE-COIL HEIGHT:             | $H_{VC}$ (IN) . . . . .               | 1.72   |
|                                | $H_{VC}$ (MM) . . . . .               | 43.80  |
| MAXIMUM EXCURSION:             | $X_{MAX}$ (IN) . . . . .              | 0.63   |
|                                | $X_{MAX}$ (MM) . . . . .              | 15.90  |

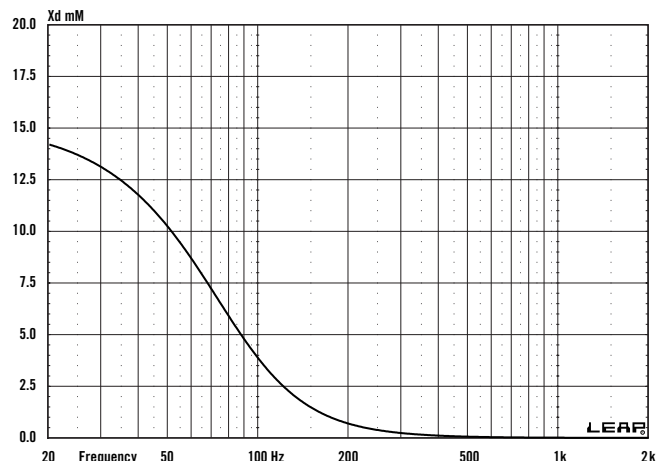
## SEALED BOX VOLUME (INCLUDES DRIVER DISPLACEMENT)



## SEALED FREQUENCY RESPONSE @ 2.83 V



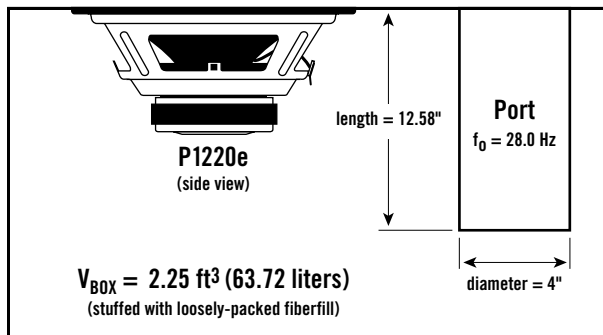
## SEALED TRANSDUCER EXCURSION @ 400 W



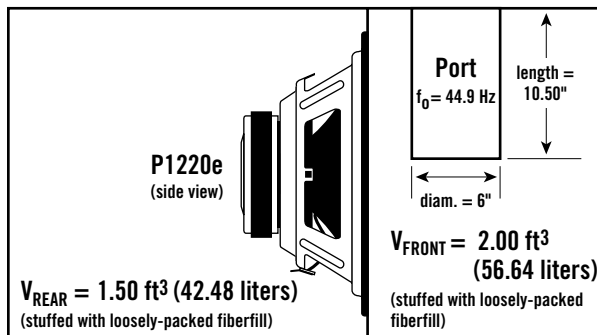


# P1220e 12" Woofer – Technical Data

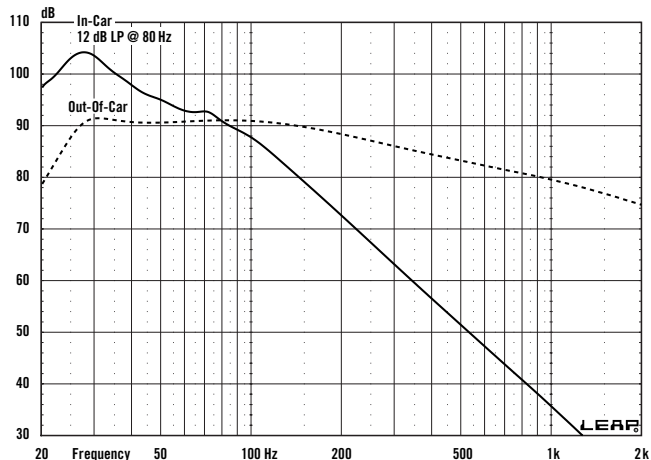
## VENTED BOX VOLUME (INCLUDES DRIVER/PORT DISPLACEMENTS)



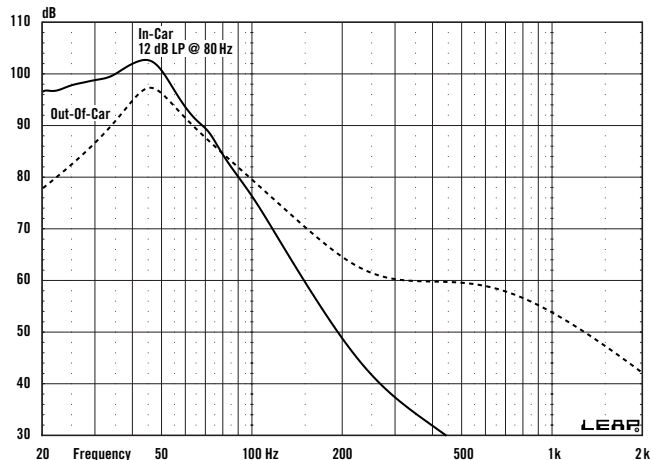
## SEALED BANDPASS BOX VOLUME (INCLUDES DRIVER/PORT DISPLACEMENTS)



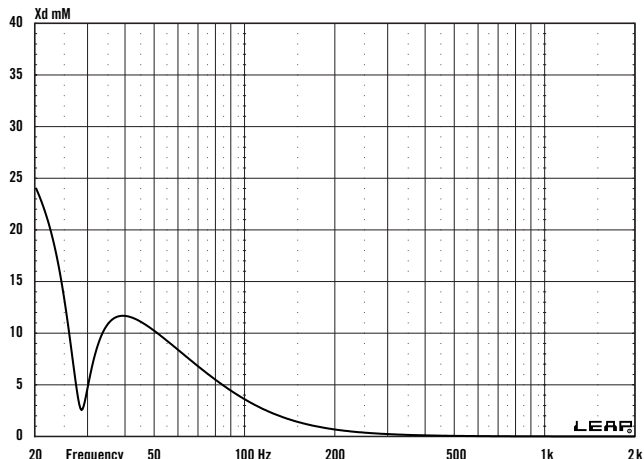
## VENTED FREQUENCY RESPONSE @ 2.83 V



## SEALED BANDPASS FREQUENCY RESPONSE @ 2.83 V



## VENTED TRANSDUCER EXCURSION @ 400 W



## SEALED BANDPASS TRANSDUCER EXCURSION @ 350 W

