

JBL SOUND POWER SERIES

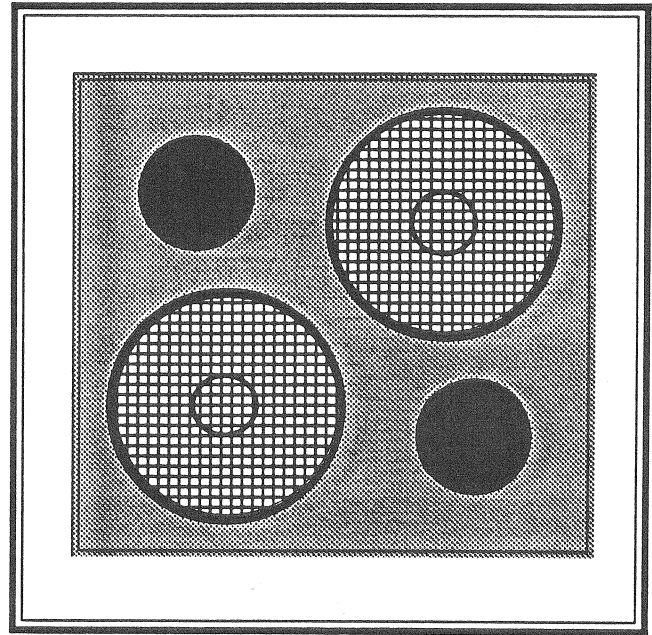
4745A

DUAL 380 MM (15") DIRECT RADIATOR SUB-BASS SYSTEM

PRELIMINARY SPECIFICATION SHEET

FEATURES:

- ▶ Uniform response and power handling down to 35 Hz
- ▶ Heavy duty internally braced non-resonant cabinet
- ▶ Dual JBL 2226H direct radiating drivers
- ▶ Rugged and attractive finish



The JBL 4745A is a direct radiator sub-bass loudspeaker system designed to be used in conjunction with bi-amplified JBL Sound Power Series full-range systems. It is intended for installation or touring applications in mid-sized auditoriums and halls whenever the application demands extended low frequency reproduction. Consisting of two JBL 2226H 380 mm (15 in) low frequency, low distortion cone drivers mounted in a ported enclosure, the Sound Power 4745A will uniformly reproduce frequencies down to 35 Hz at high levels with minimal distortion.

Designed to be driven actively using a JBL 5235 or other external electronic crossover and amplifier, an 80 Hz to 150 Hz crossover range is recommended, although the system has usable output within the mid-band region that can augment the response of its companion full-range system. By separating the lowest frequencies from the rest of the audio program, the use of the 4745A in conjunction with full-range Sound Power systems increases overall system efficiency and headroom.

Constructed from 18 mm (3/4 in) Finnish birch plywood and internally braced for maximum rigidity and resistance to enclosure resonances at high SPL, the cabinet is finished to touring standards in a durable dark gray acid-hardened paint. Recessed cutout handling points and steel protective grilles for the bass drivers in addition to the removable black nylon front grille make the 4745A a versatile general-purpose sub-bass system.

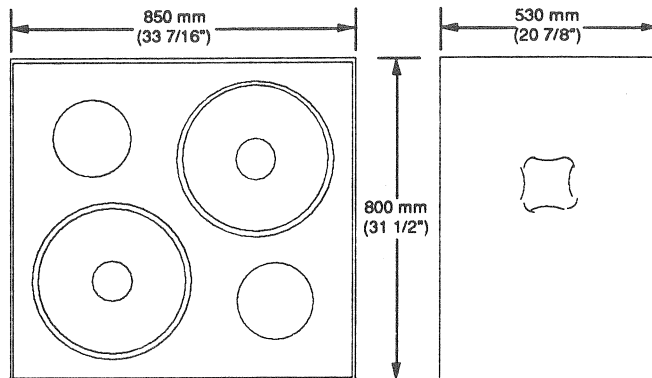
Input connections are made via an 8-pin Neutrik Speakon™ connector, with a second connector providing full-range loop through facilities. A heavy-duty rear connector panel features a threaded insert to accept an M12 safety eyebolt. JBL's special 8-conductor cabling is available as an option, featuring four different wire gauges for the four frequency bands.

PRELIMINARY SPECIFICATIONS

Model 4745A

Components	2 – JBL 2226H low frequency transducers
Frequency range (-10 dB)	32 Hz—2.2 kHz
Frequency response (± 3 dB)	37 Hz—1.8 kHz
Enclosure tuning	41 Hz
Sensitivity	103 dB (2.83 V, 1 m)*
Power capacity	1200 W (AES standard, 50-500 Hz)
Maximum SPL (1 m, continuous program)	TBA
Recommended crossover frequencies	80—800 Hz, 25 Hz low cut
Nominal impedance	4 ohms
Connectors	2 – Neutrik Speakon NL8MPR
Dimensions	800 mm H x 850 mm W x 530 mm D (31 1/2" H x 33 7/16" W x 20 7/8" D)
Finish	Dark grey acid-hardened paint with black nylon grille
Net weight	65 kg (143 lb)
Accessories:	

NL8FC	Neutrik Speakon Cable Connector, 8-Pin
NL8MM	Neutrik Speakon Coupler, 8-Pin
3700-8	8-Wire Speaker Cable
3705-8	8-Wire Speaker Cable, 5 m, with NL8FC Connectors
3720-8	8-Wire Speaker Cable, 20 m, with NL8FC Connectors
4700APNT	Touch-Up Paint



* 2.83 V is 1 W across an 8 ohm load.

** Continuous program power is defined as 3 dB greater than continuous sine wave.

JBL continually engages in research related to product improvement. New materials, production methods and design refinements are introduced into existing products without notice as a routine expression of that philosophy. For this reason, any current JBL product may differ in some respect from its published description but will always equal or exceed the original design specifications unless otherwise stated.

