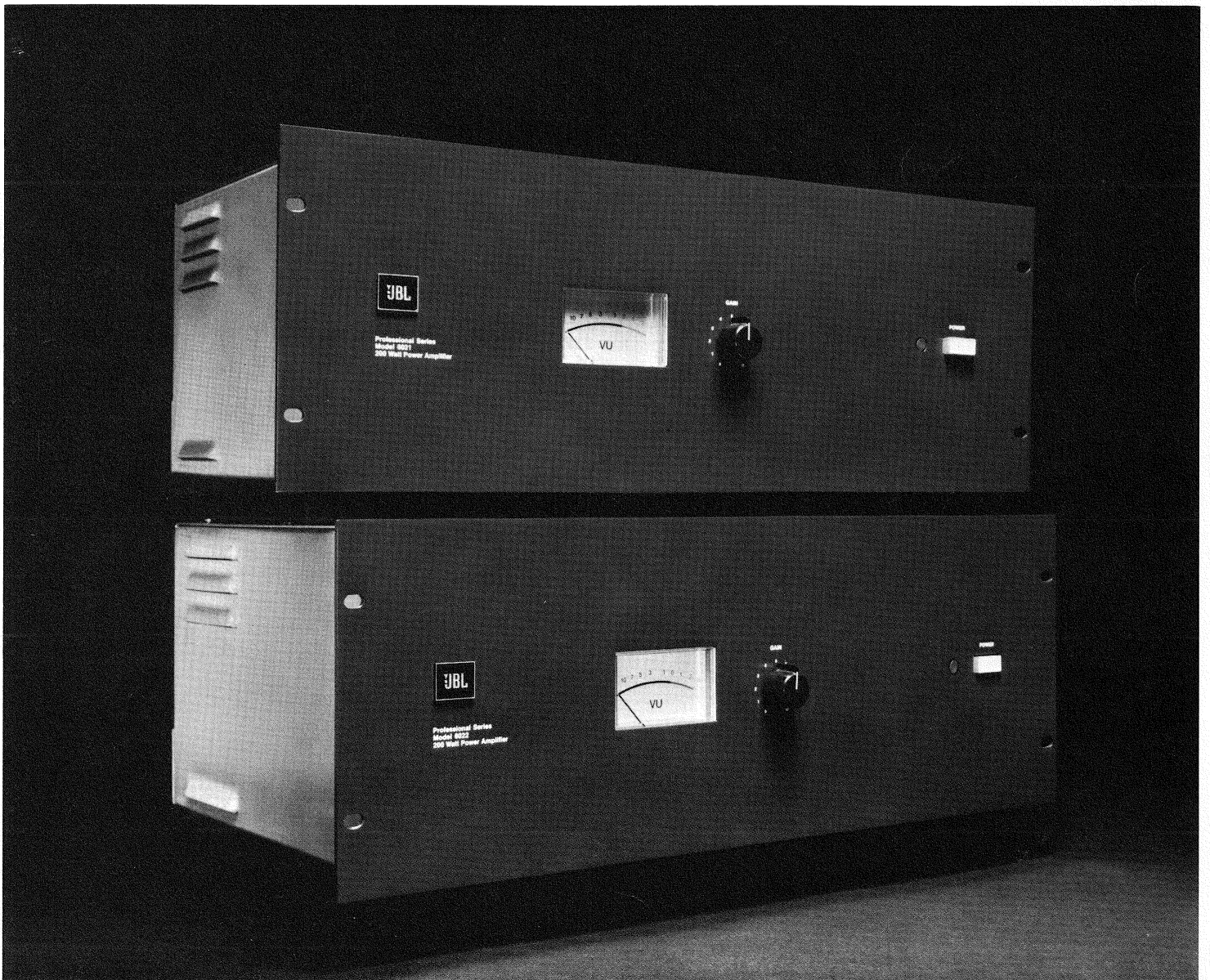


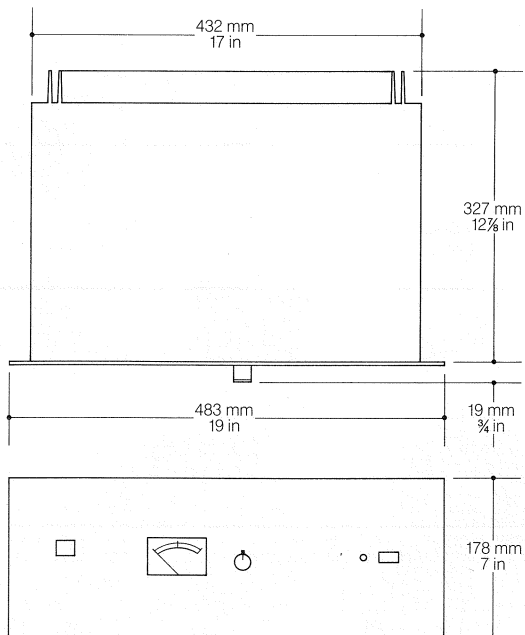
JBL Professional Series

**Model 6021/6022
200-watt Power Amplifiers**



Consumer Warranty

JBL offers a limited warranty to retail purchasers. The warranty statement is packed with the product.

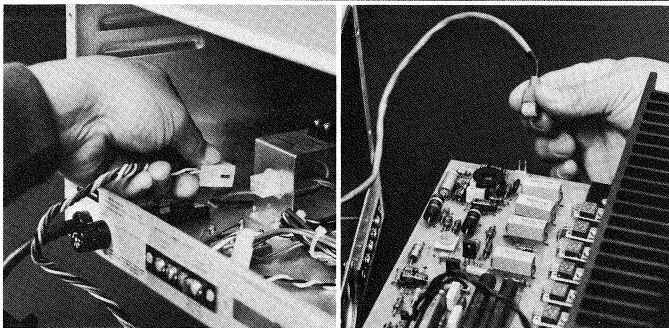
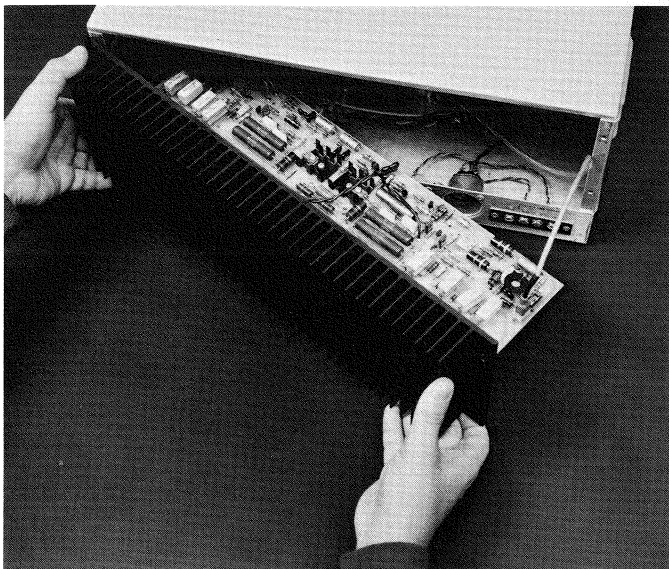


Specifications

Power Output, Continuous Sine Wave	
Direct output, 4- Ω load	200 W
Transformer output (6021 only)	200 W
Power Bandwidth	
Direct output	200 W
	20 Hz - 20 kHz, less than 0.2% total harmonic distortion
150 W	10 Hz - 40 kHz, less than 0.5% total harmonic distortion
Transformer output, 200 W (6021 only)	35 Hz - 15 kHz, less than 0.2% total harmonic distortion
Total Harmonic Distortion, 200 W	
Direct output	Less than 0.2%, 20 Hz - 20 kHz
Transformer output (6021 only)	Less than 0.2%, 35 Hz - 15 kHz
Intermodulation Distortion	
SMPTE Standard	
200 W	Less than 0.2%
10 W	Less than 0.1%
0.15 W	Less than 0.1%
Frequency Response, 1 W	20 Hz - 20 kHz, ± 0.5 dB
Load Impedance	
Direct output	4 Ω
Transformer output (6021 only)	8, 16, or 25 Ω
Load Voltage, 200 W	
Direct output	28.3 V
Transformer output (6021 only)	
8- Ω tap	40.4 V
16- Ω tap	56.6 V
70.7-V tap	70.7 V
Output Regulation	Better than 15%
Power Gain	72 dB
Maximum Input Sensitivity	
Unbalanced high impedance (33 k Ω)	0.78 V
Balanced 15-k Ω , with 5195 transformer	0.38 V
Balanced 600- Ω matching, with 5195 transformer	0.38 V
Balanced 600- Ω matching, with 5195 transformer, 14-dB step-up configuration*	0.08 V
Signal-to-Noise Ratio	Better than 100 dB, full power
Low Cut Filter	6 dB/octave below 250 Hz, switchable
Front Panel Controls	Power switch Level control
Indicators	Pilot lamp Level meter, dB
Power Requirement	120/240 V AC, 50/60 Hz
Power Consumption	
Load on direct output	
Quiescent	40 W
1/3 power	250 W
Full power	400 W
Load on transformer output (6021 only)	
Quiescent	40 W
1/3 power	275 W
Full power	440 W
Fuse	5-A 3AG
Maximum Ambient Operating Temperature	60°C 140°F
Front Panel Finish	Semi-gloss baked enamel, dark gray
Mounting	4 EIA standard rack spaces
Dimensions	
Front panel	483 x 178 mm 19 x 7 in
Depth of controls	19 mm 3/4 in
Depth behind panel	327 mm 12 7/8 in
Net Weight	
6021	21 kg 47 lb
6022	16 kg 35 lb
Shipping Weight	
6021	24 kg 52 lb
6022	18 kg 39 lb
Accessory	JBL Model 5195 Matching/ Bridging Transformer

JBL Professional Products are not intended for household use.

*Requires internal modification.



Less than 0.2% THD

Full-complementary power circuitry **Modular construction**

The JBL Model 6021 and 6022 Power Amplifiers set new standards of performance, reliability, and serviceability in commercial power amplification.

Completely symmetrical, full-complementary power circuit design and wide bandwidth ($-1\frac{1}{4}$ dB at 40 kHz, direct output) ensure accurate reproduction of complex musical waveforms with as much as an order of magnitude less distortion than many comparable commercial amplifiers. Modular construction affords ease of servicing heretofore unknown. The entire amplifier circuit, except for the power supply and output transformer, is mounted on a single circuit board, which can be removed from the rear of the unit with the mainframe still mounted in a rack. The circuit board can remain wired to the mainframe after removal, or can be disconnected at two plugs.

Conservative design ensures reliability. An advanced protection circuit senses the true dissipation of the output devices even under extreme conditions of load impedance and line voltage. Cooling is accomplished by convection over a generous heat sink area. No transients are produced by turning the unit off or on.

The 6021 provides a direct output terminal for a 4-ohm load; it also incorporates a high quality output transformer for full-power operation into a load of 8 or

16 ohms, or for driving a 70.7-volt line. The 6022 is identical except for the absence of an output transformer and is supplied with a direct output only; an output transformer can be added easily at any time. Either amplifier will accommodate a 50,000-ohm unbalanced line input by means of a terminal strip or a pair of phono jacks connected in parallel; the second phono jack allows mixing of signals or routing the input signal to additional amplifiers. A balanced input is accommodated by means of an optional input transformer that plugs into a socket on the rear panel; no wiring, additional clearance, or other modification is necessary.

The 6021 and 6022 are adjustable for 120- or 240- volt operation.

Architectural Specifications

The amplifier shall be single-channel with an input gain control and an output level meter on the front panel. The amplifier shall accommodate an unbalanced high impedance input, or a balanced low impedance input with an optional plug-in accessory transformer.

The amplifier shall be capable of delivering a minimum of 200 watts, continuous sine wave, 20 Hz - 20 kHz, into a 4-ohm load. (6021: The amplifier shall incorporate an output transformer allowing full-power operation, 35 Hz- 15 kHz, into an 8- or 16-ohm load or 70.7-volt line, as well as a direct output terminal for a 4-ohm load.) (6022: No output transformer and only a direct output terminal shall be provided; it shall be possible to install an output transformer easily at any time.)

The amplifier shall have less than 0.2% total harmonic distortion, 20 Hz-20 kHz, at 200 watts, direct output. (6021: The amplifier shall have less than 0.2% total harmonic distortion, 35 Hz- 15 kHz, at 200 watts, transformer output.) Frequency response shall be ± 0.5 dB, 20 Hz-20 kHz, at 1 watt. Power bandwidth shall be 10 Hz-40 kHz at 150 watts, with less than 0.5% total harmonic distortion.

Construction of the amplifier shall be modular. The entire amplifier circuit, except for the power supply (6021: and output transformer), shall be mounted on a single circuit board attached to the heat sink, which assembly shall be removable from the rear of the unit with the mainframe still mounted in a rack. Cables connecting the circuit board to the mainframe shall be of length sufficient to allow removal of the board without disconnecting, and shall disconnect easily at two plugs.

The amplifier shall occupy 4 standard EIA rack spaces, and shall operate on 120/240 volts AC, 50/60 Hz.

The amplifier shall be the JBL Model 6021 (6022).



Professional Division

James B. Lansing Sound, Inc., 8500 Balboa Boulevard, Northridge, California 91329 U.S.A.