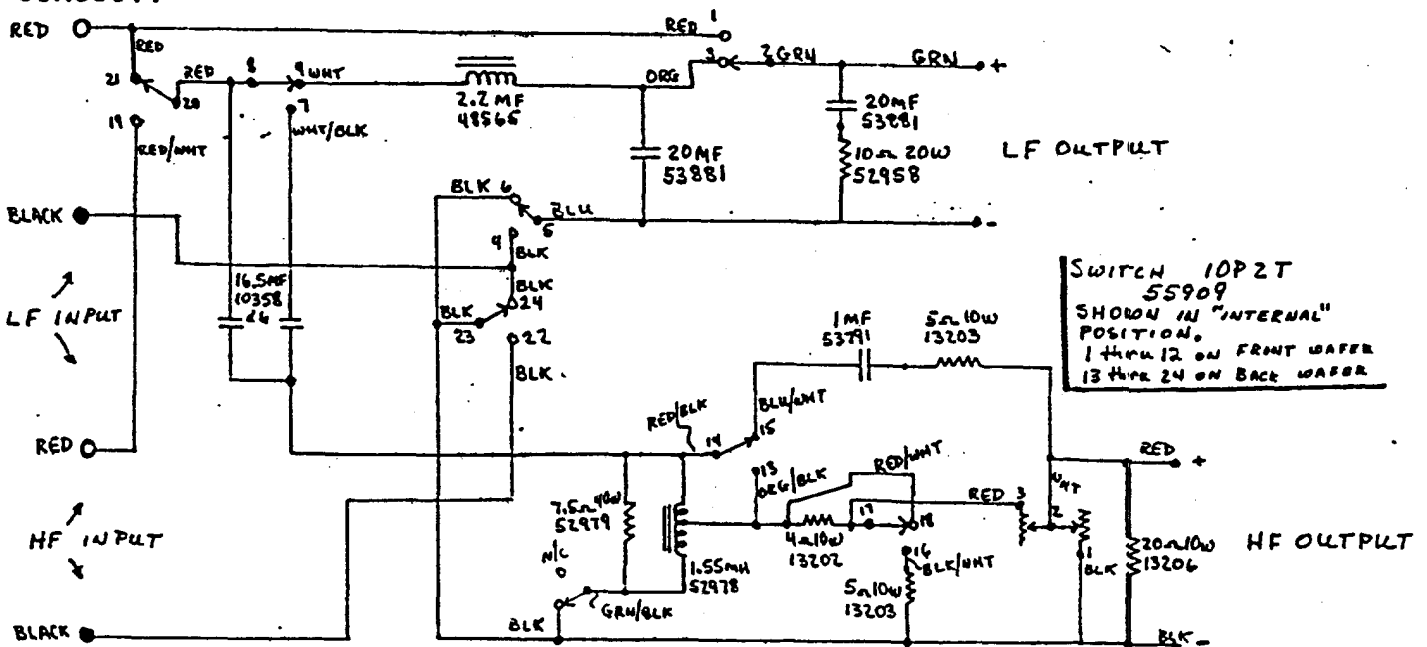


SPECIFICATIONS: NOTE ①

USED IN 4331A & 4331A WX SYSTEMS

LOAD Z	LOW PASS	CROSS OVER	HIGH PASS	ATTENUATION
8	500HZ	1 KHZ	5 KHZ	5 KHZ
(INT)	LF -2	LF -10	HF -7	VAR
8	500 HZ	1 KHZ	5 KHZ	5 KHZ
(EXT)	HF -12	HF -9	HF -8	VAR

CIRCUIT:



EXTERNAL CROSSOVER:
 HF 8Ω 30W RMS
 LF 8Ω 75W RMS
 INTERNAL CROSSOVER:
 8Ω 75W RMS

NOTES:

① USE STANDARD TEST FIXTURE

