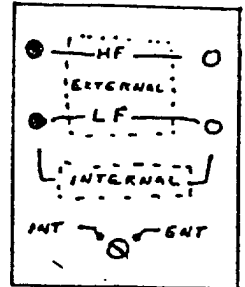


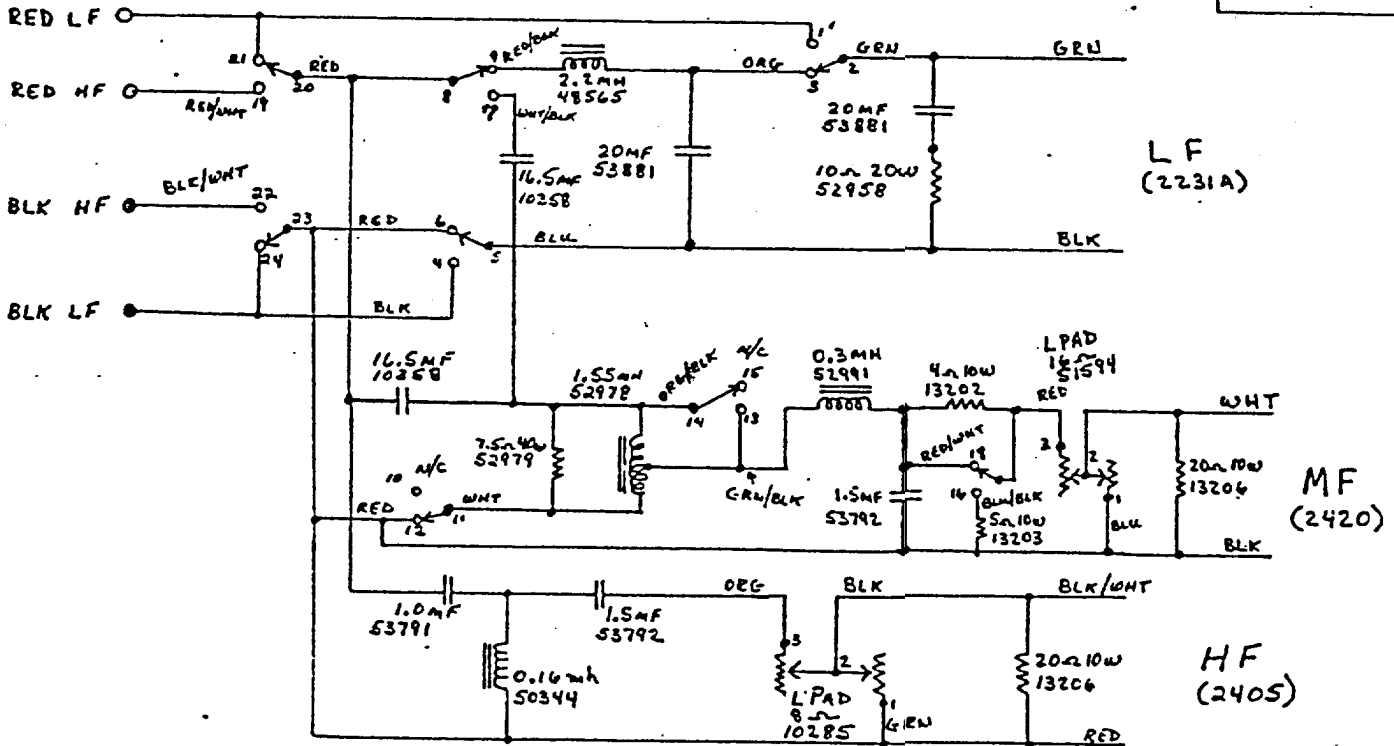
STD OR BI-AMP INPUT  
USED IN 4332A & 4333A WK

SPECIFICATIONS: NOTE ①

LOAD Z	LOW PASS	CROSS OVER	HIGH PASS	ATTENUATION		
8	500HZ	1KHZ	2KHZ	6.5KHZ	12KHZ	
INT	LF -2	LF -10		MF -13		VAR
		MF -10	MF -10	HF -13	HF -7	VAR
8			2KHZ	6.5KHZ	12KHZ	
EXT	MF -11		MF -8	MF -13	MF -7	VAR



CIRCUIT:



SWITCH - 55909-10P2T  
1-12 FRONT WAFER  
13-24 BACK WAFER  
SWITCH SHOWN IN "INTERNAL" POSITION

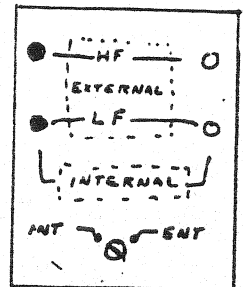
NOTES:

① USE STANDARD TEST FIXTURE

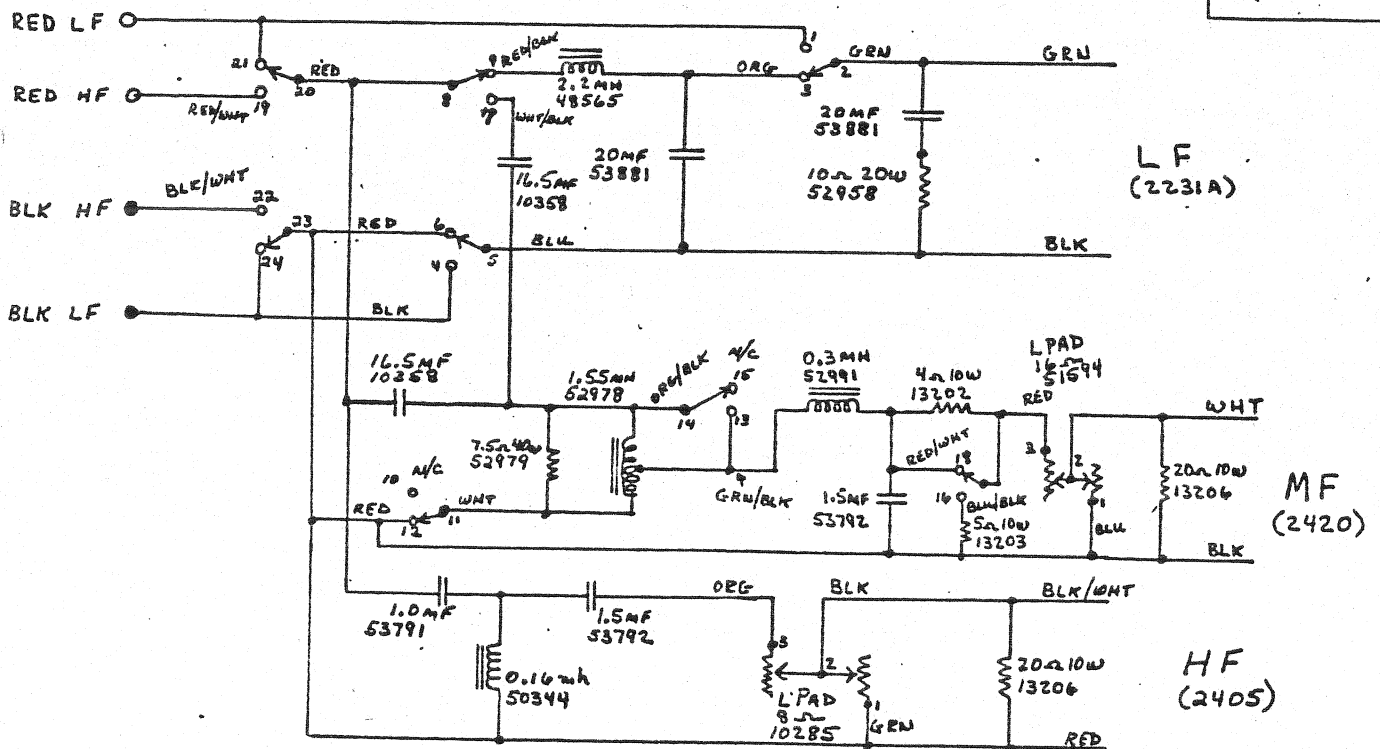
STD OR BI-AMP INPUT  
USED IN 4332A & 4333A

SPECIFICATIONS: NOTE ①

LOAD Z	LOW PASS	CROSS OVER	HIGH PASS	<del>ATTENUATION</del>		
8	500HZ	1KHZ	2KHZ	6.5KHZ	12KHZ	
INT	LF -2	LF -10		MF -13		VAR
		MF -10	MF -10	MF -13	HF -7	VAR
8			2KHZ	6.5KHZ	12KHZ	
	MF -11		MF -8	MF -13	MF -7	VAR
EXT				MF -13	MF -7	VAR



CIRCUIT:



SWITCH - 55909-10P2T  
1-12 FRONT WAFER  
13-24 BACK WAFER  
SWITCH SHOWN IN "INTERNAL" POSITION

NOTES:

① USE STANDARD TEST FIXTURE