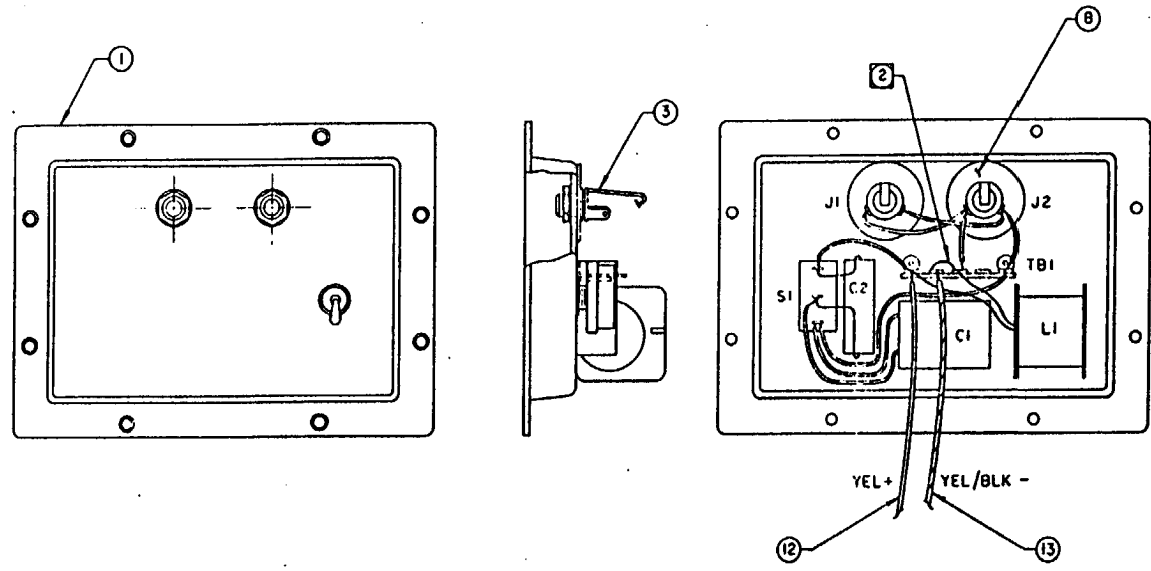
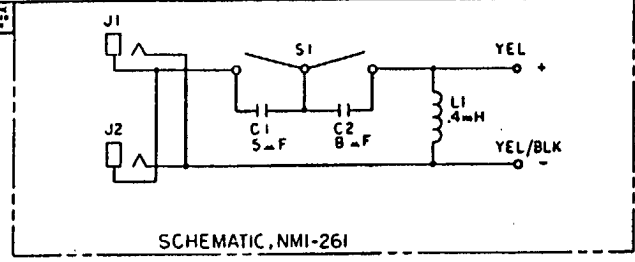


THIS DRAWING IS THE PROPERTY OF JAMES H. LANGRISH ENGINEERING CO. ANY REPRODUCTION OR USE OF THIS DRAWING WITHOUT THE WRITTEN PERMISSION OF JAMES H. LANGRISH ENGINEERING CO. IS PROHIBITED. THIS DRAWING IS THE BASIS FOR MANUFACTURE OF THIS OR SIMILAR EQUIPMENT.

REVISIONS					
CHG	LET	DESCRIPTION	DATE	CHK	APPR
3716	A	REL FOR PROD.	12/1/59	JM	JM



ITEM	PART NO.	DESCRIPTION	QTY	REMARKS
13	57173-40	WIRE, 18 AWG YEL/BLK	1	
12	57173-37	WIRE, 18 AWG YEL	1	
11	54610	WIRE, BLACK	1.3 FT	
10	704368	SOLDER	.005	
9	61161	ADHESIVE	.01	
8	65402	WASHER, STEEL	2	
7	65561	SWITCH, SPDT "CENTER OFF"	1	S1
6	62772-05R0	CAPACITOR, 5µF	1	C1
5	57915	INDUCTOR, 0.4 mH	1	L1
4	60110-05R0	CAPACITOR, 8µF	1	C2
3	63394	PHONE JACK	2	J1, J2
2	53498	TERMINAL STRIP ST	1	T1
1	65468	NETWORK COVER	1	

NMI-261

3. ALL CONNECTIONS UNLESS OTHERWISE SPECIFIED ARE TO BE MADE WITH ITEM 11.
- ② USE COMPONENT LEAD TO CONNECT TERMINAL LUG.
1. BOND ITEMS 2, 4, 5, 6 TO ITEM 1; USING ITEM 9.

NOTES: UNLESS OTHERWISE SPECIFIED

BILL OF MATERIAL			
CHECKED BY: [Signature] DATE: 12/1/59 DRAWN BY: [Signature] DATE: 12/1/59 APPROVED BY: [Signature] DATE: 12/1/59	NOTED [Signature]	[Signature] [Signature]	JAMES H. LANGRISH ENGINEERING CO. A LANSING, MICHIGAN COMPANY 1000 EAST WASHINGTON ST. LANSING, MICHIGAN 48206 MFD ITEM, NMI-261 D 65559 A

8 7 6 5 4 3 2 1