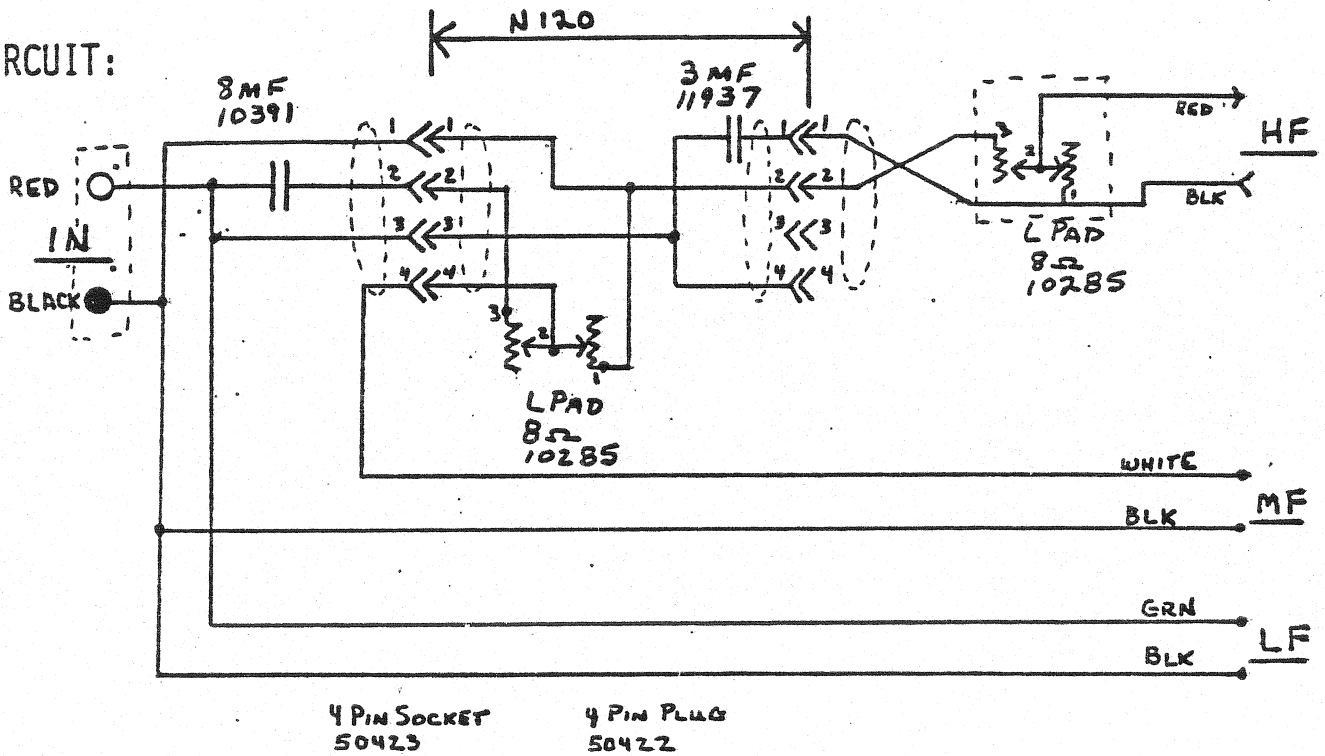


SPECIFICATIONS: NOTE ①

LOAD Z	LOW PASS	CROSS OVER	HIGH PASS	ATTENUATION
N88 only 8	300HZ LF 0 HF -18		3KHZ LF 0 HF -2	3 KHZ HF VAR
N88 with N120 8	1KHZ LF 0 MF -8		2KHZ MF -4 HF -10	2KHZ VAR VAR

CIRCUIT:

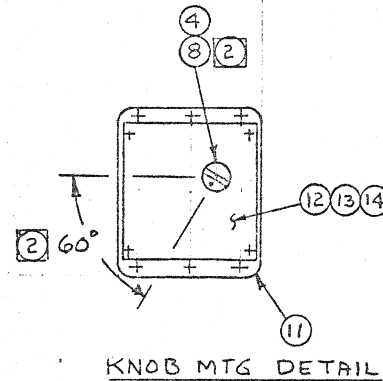
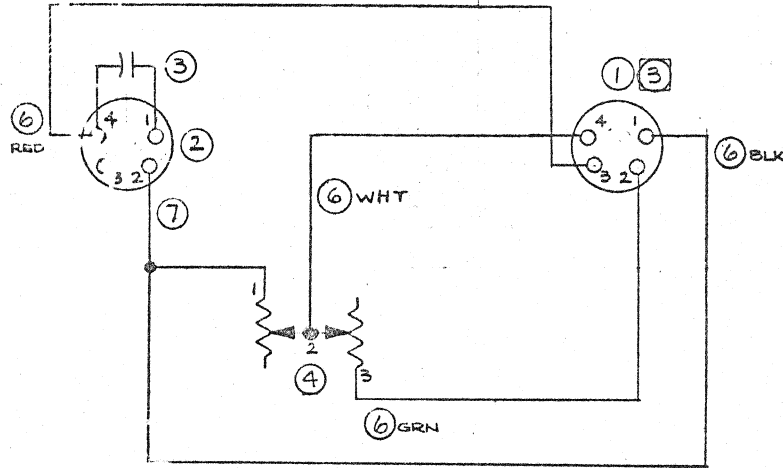


NOTES:

- ① USE STANDARD TEST FIXTURE

N120	F	6-7
N88	K	6-7

THESE DRAWINGS AND SPECIFICATIONS ARE THE PROPERTY OF JAMES B. LANSING SOUND INC. THEY ARE ISSUED IN STRICT CONFIDENCE AND SHALL NOT BE REPRODUCED, COPIED, OR USED AS THE BASIS FOR MANUFACTURE OR SALE OF APPARATUS WITHOUT PERMISSION.



ITEM	P/N	DESC	QTY
1	50422	PLUG	1
2	50423	SOCKET	1
3	11937	CAP, BUFD	1
4	10285	L PAD	1
5	50428	BUSHING	1
6	50460	CABLE	1
7	37603	WIRE, BLK MCD 37055	1
8	52192	KNOB MRD 52191	1
9			
10			
11	50425	CONTAINER MRD 50431	1
12	50426	COVER	1
13	LOAF	GASKET	1
14	53672	POP RIVET	4
15	48110	RIVET	2
16	103008	FOAM	4
17	50429	FOILCAL	1

5 SECURE ITEM 3 TO ITEM 11 WITH 50122 B HOT MELT ADHESIVE

4. FOR TEST SPECS SEE 50488 REF.

5 2' OF 50456 S TAPE, GREEN, WRAPPED AROUND ITEM 1.

2 INSTALL ITEM 4 WITH ITEM 8 PROJECTING 1/8" FROM TOP OF ITEM 12.

1. APPROVED FOR THIS SAMPLE, CURRENT REV, MAINTAINED IN ENG DEPT.

R E V I S I O N S	DATE	BY	APP'D	DESCRIPTION	UNLESS OTHERWISE SPECIFIED DIMENSIONS ARE IN INCHES. BREAK SHARP EDGES 015	DRAWN: <i>Z.001</i> 12-6-72 CHECK: <i>R.77</i> 11/13/72 DESIGN:	TITLE: MFD ITEM, N120
	1	12-6-72					
LCN	LET.	CHARGE	DATE	BY	APPLICATION	TIR MATERIAL:	SIZE: B
						TREATMENT:	MFD ITEM DWG
						MACHINE FINISH: V	DRAWING NUMBER: 50897
						DO NOT SCALE DRAWING	REV: F
							SCALE: --- WEIGHT: --- SHEET 1 OF 1