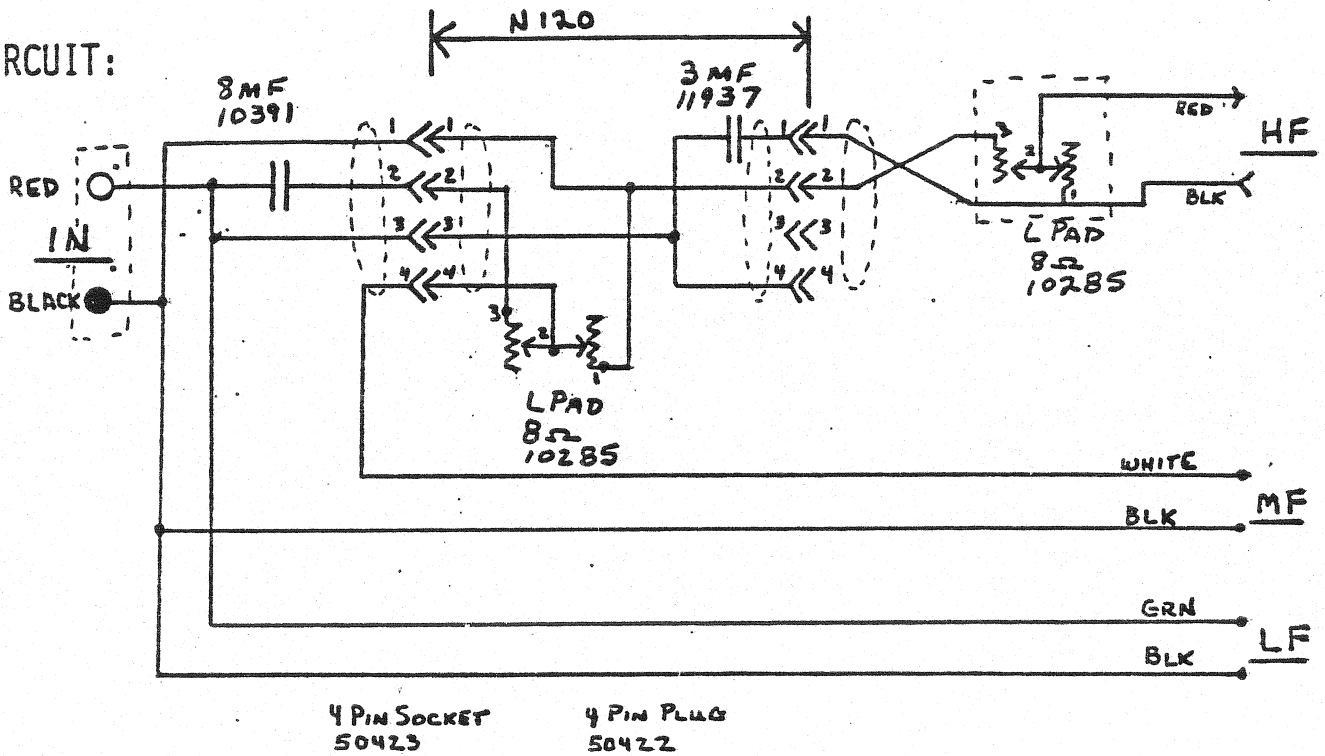


SPECIFICATIONS: NOTE ①

LOAD Z	LOW PASS	CROSS OVER	HIGH PASS	ATTENUATION
N88 only 8	300HZ LF 0 HF -18		3KHZ LF 0 HF -2	3 KHZ HF VAR
N88 with N120 8	1KHZ LF 0 MF -8		2KHZ MF -4 HF -10	2KHZ VAR VAR

CIRCUIT:



NOTES:

- ① USE STANDARD TEST FIXTURE

N120	F	6-7
N88	K	6-7