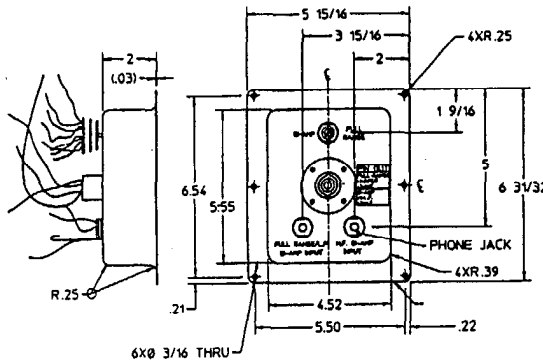


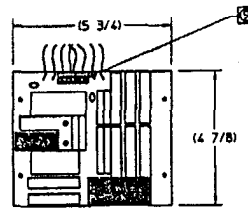
THESE DRAWINGS AND SPECIFICATIONS ARE THE PROPERTY OF HARMAN SPEAKER MANUFACTURING. THEY ARE LOANED TO YOU BY THE COMPANY AND SHALL NOT BE REPRODUCED, COPIED, OR USED AS THE BASIS FOR MANUFACTURE OR SALE OF APPARATUS WITHOUT WRITTEN PERMISSION.

PART NO.	REV	DESCRIPTION
75676	B	TERMINAL CUP
75676-01	B	P.C. BOARD

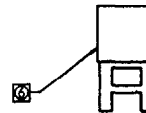
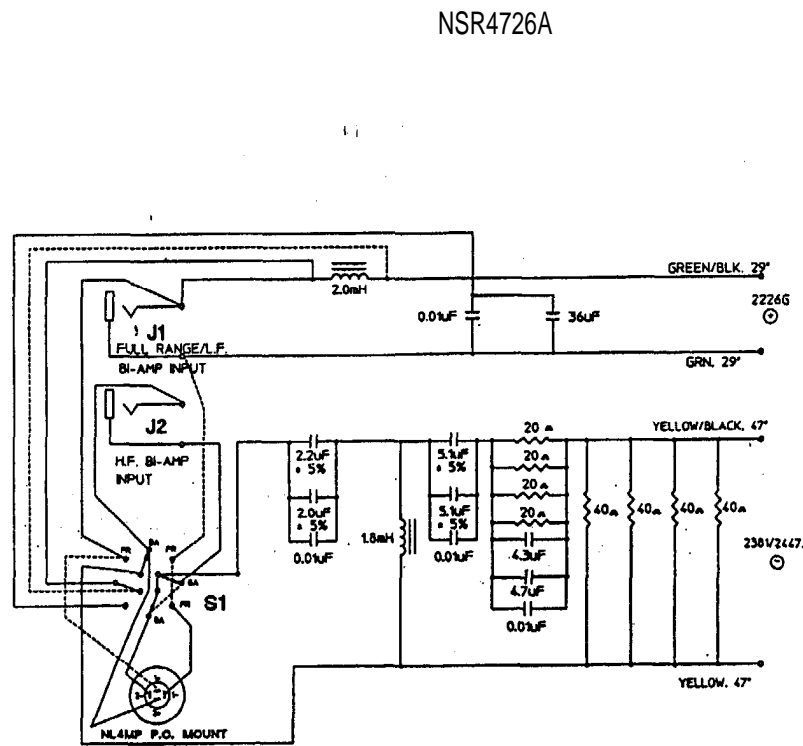
REVISIONS					
CHK	DATE	DESCRIPTION	DRFT	CHK	DATE
170T	A	REL FOR PROQ 75676, 75676-01	SP	HY	3/9/93
54T	B	ADDED NOTE 10	VAL		



75676  
TERMINAL CUP



75676-01  
P.C. BOARD



10. ALL INDUCTORS TO BE SECURED IN PLACE WITH WIRE TIE AND RTV (SILICONE) UNDER BOBBIN SUPPORT. RTV NOT TO CONTACT WIRE WHERE POSSIBLE.

Ⓜ MUST BE KEYPED CONNECTOR (CAN ONLY BE CONNECTED ONE WAY).

8. INDUCTORS: ± 5% @ 1 KHZ, DCR < 0.25 OHMS, SATURATION 7A MIN, HYSTERESIS ± 2%

7. CAPACITORS: 0.01uF ± 10% @ 1 KHZ, D.F. < 2%, 200V POLYPROPYLENE  
ALL OTHERS ± 10% (UNLESS NOTED DIFFERENTLY) @ 1 KHZ, D.F. < 2%, 200V MYLAR

Ⓢ RESISTORS: 10 WATT, NO RTV REQUIRED BETWEEN RESISTORS (MUST BE TWO LEG/FOUR PIN TYPE)

5. NEUTRICK: NL4MP P.C. MOUNT VERSION OF 4 PIN NEUTRICK CONNECTOR (AIR TIGHT)

4. S1 TO BE TWO POSITION ROTARY SWITCH (ON-ON) WIRED FOR 6A MINIMUM RATING BY PARALLELING ONE SWITCH SECTION TOGETHER AS SHOWN.  
BA= BI-AMP MODE  
FR= FULL RANGE MODE

3. PHONE JACK (1/4" SWITCHCRAFT) TO BE INSULATED FROM TERMINAL CUP.

2. TERMINAL CUP TO BE 0.8MM THK STEEL, POWDERCOATED BLACK.

1. TERMINAL CUP SIMILAR IN SIZE ONLY, TO PART NO. 69691-XX.  
TERMINAL CUP TO FIT A CUTOUT 6" X 7" WITH 1/4" R CORNERS.

⊕ OUTWARD CONE MOVEMENT WITH POSITIVE VOLTAGE TO RED INPUT TERMINAL.

⊙ INWARD CONE MOVEMENT WITH POSITIVE VOLTAGE TO RED INPUT TERMINAL.

NOTES: (UNLESS OTHERWISE SPECIFIED)

QTY/ITEM	PART NO.	PART/MATERIAL	REMARKS
BILL OF MATERIAL			
DRAWN: 3/3/93		DATE: 3/3/93	
CHECKED: SPOWELL		DATE: 3/9/93	
DESIGNED BY: HY		DATE: 3/9/93	
APPROVED BY: DRYVERA		DATE: 3/9/93	
PROJECT NO: SR4726A		REV: D	
DRAWING NO: SR4726A		PART: 75676-XX	
BY: NONE		SHEET: 1 of 1	

NSR4726A