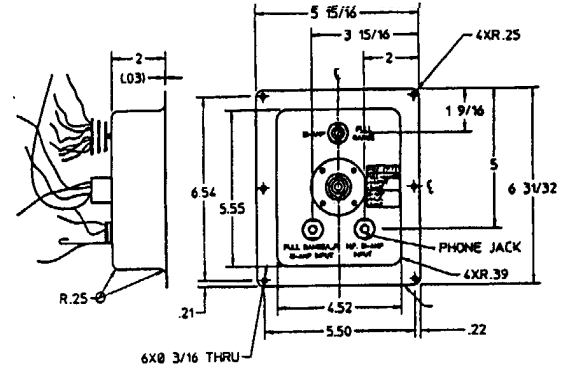


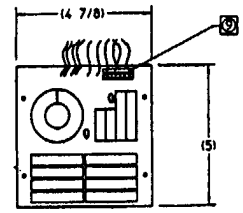
THIS DRAWING AND MANUFACTURING INSTRUCTIONS ARE THE PROPERTY OF HARMAN SPEAKER MFG. CO. AND SHALL NOT BE REPRODUCED OR COPIED IN ANY MANNER WITHOUT WRITTEN PERMISSION.

PART NO.	REV.	DESCRIPTION
75644	B	TERMINAL CUP
75644-01	B	P.C. BOARD

CHK	BY	DESCRIPTION	DRP	CHK	APPR
1701	A	REL FOR PROD 75644, 75644-01	SP	HV	DHR
541T	B	ADDED NOTE 10	VAL		

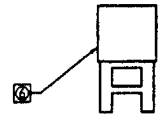
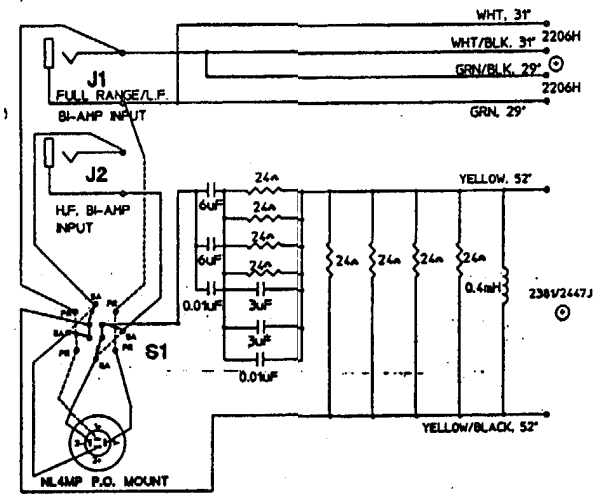


75644
TERMINAL CUP



75644-01
P.C. BOARD

NSR4731A



- ALL INDUCTORS TO BE SECURED IN PLACE WITH WIRE TIE AND RTV (SILICONE) UNDER BOBBIN SUPPORT. RTV NOT TO CONTACT WIRE WHERE POSSIBLE.
- MUST BE KEYED CONNECTOR (CAN ONLY BE CONNECTED ONE WAY).
- INDUCTORS: ± 5% @ 1 KHZ, DCR < 0.25 OHMS, SATURATION 7A MIN. HYSTERESIS ± 2 %
- CAPACITORS: 0.01μF ± 10% @ 1 KHZ, D.F. < 2 %, 200V POLYPROPYLENE
ALL OTHERS ± 10% (UNLESS NOTED DIFFERENTLY) @ 1 KHZ, D.F. < 2 %, 200V MYLAR
- RESISTORS: 10 WATT, NO RTV REQUIRED BETWEEN RESISTORS (MUST BE TWO LEG/FOUR PIN TYPE)
- NEUTRICK: NL4MP P.C. MOUNT VERSION OF 4 PIN NEUTRICK CONNECTOR (AIR TIGHT)
- S1 TO BE TWO POSITION ROTARY SWITCH (ON-ON) WIRED FOR 6A MINIMUM RATING BY PARALLELING TWO SWITCH SECTIONS TOGETHER AS SHOWN.
BA= BI-AMP MODE
FR= FULL RANGE MODE
- PHONE JACK (1/4" SWITCHCRAFT) TO BE INSULATED FROM TERMINAL CUP.
- TERMINAL CUP TO BE 0.8MM THK STEEL. POWDERCOATED BLACK.
- TERMINAL CUP SIMILAR IN SIZE ONLY, TO PART NO. 69691-XX.
TERMINAL CUP TO FIT A CUTOUT 6" X 7" WITH 1/4" R CORNERS.
- OUTWARD CONE MOVEMENT WITH POSITIVE VOLTAGE TO RED INPUT TERMINAL.

NOTES: (UNLESS OTHERWISE SPECIFIED)

QTY	ITEM	PART NO.	PART/MATERIAL	REMARKS
			BILL OF MATERIAL	
			NSR4731A	
			SPONEILL	
			DRIVER	
			SR6731A	
			TERM CUP/P.C. BOARD	
			D 75644-XX	B

8 13 7 17 8 13 51 11 48 11 13 13 12 12 1