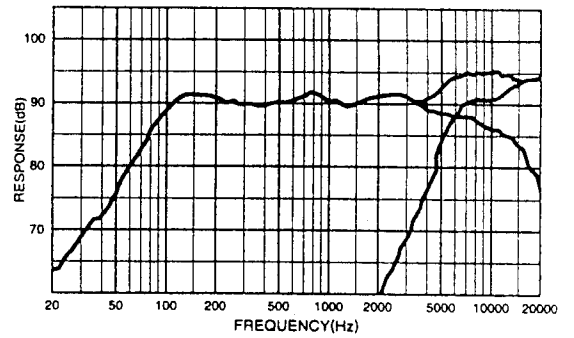


# Technical specifications

	SYMBOL	UNIT	KFC-P402
<b>■ MIDRANGE</b>			
Nominal Impedance	Z	ohms	4.0
DC Resistance	R <sub>E</sub>	ohms	3.6
Voice Coil Inductance	L <sub>BM</sub>	μH	0.14 × 10 <sup>-3</sup>
Resonant Frequency	F <sub>SO</sub>	Hz	110
Resonant Frequency Impedance	Z <sub>SO</sub>	ohms	22.3
Mechanical Q Factor	Q <sub>MS</sub>		4.35
Electrical Q Factor	Q <sub>ES</sub>		0.75
Total Q Factor	Q <sub>TS</sub>		0.64
Volume Acoustic Compliance	V <sub>AS</sub>	liters (cu.ft.)	1.80 (0.063)
Mechanical Resistance	R <sub>MS</sub>	kg/s	0.81
Suspension Compliance	C <sub>MS</sub>	m/N	0.42 × 10 <sup>-3</sup>
Emissive Diameter of the Diaphragm	D	mm	83
Voice Coil Diameter	d	mm	25
Voice Coil Layers	n		2
Flux Density	B	T	1.15
Force Factor	BL	T·m	4.49
Diameter of Magnet	A	mm	80
Weight of Magnet	MAG Weight	kg	0.23
<b>■ TWEETER</b>			
Nominal impedance	Z	ohms	4.0
DC Resistance	R <sub>E</sub>	ohms	3.5
Voice Coil Diameter	d	mm	11
Voice Coil Layers	n		2

## Frequency response

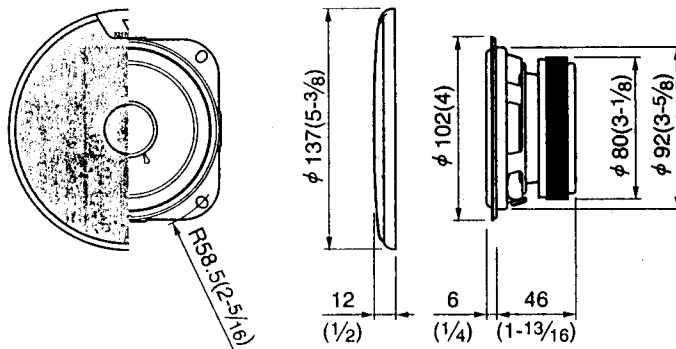
■ KFC-P402



## Dimensions

■ KFC-P402 Midrange

Unit: mm(inch)



■ KFC-P602/P502/P402 Tweeter

