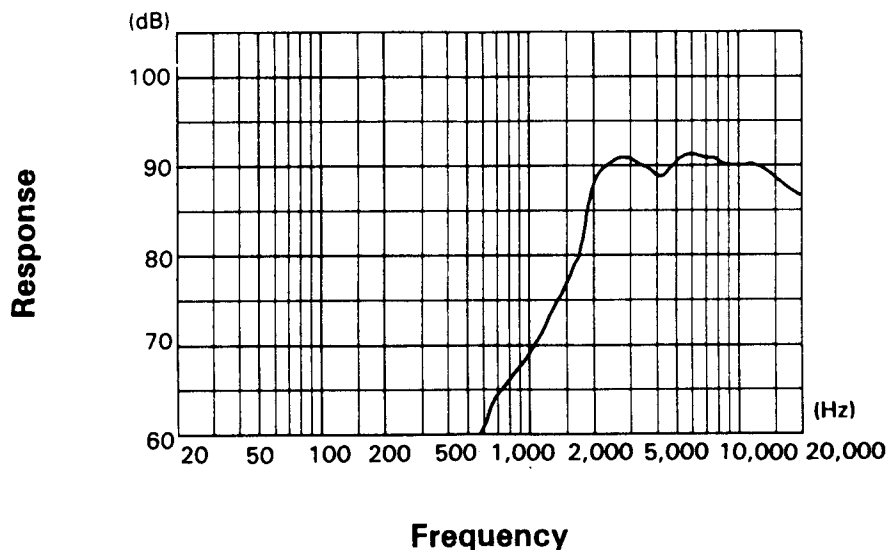


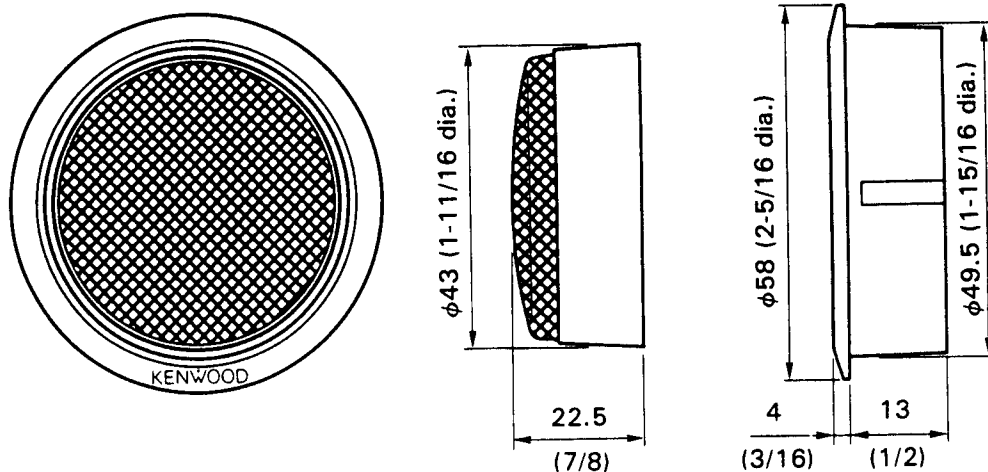
# Technical Specifications

■ KFC-T301		SYMBOL	VALUE	UNIT
Nominal Impedance .....	Z	4.0	ohms	
DC Resistance .....	R <sub>E</sub>	3.4	ohms	
Voice Coil Inductance .....	L <sub>BM</sub>	0.02 x 10 <sup>3</sup>	μH	
Emissive Diameter of the Diaphragm .....	D	0.029	m	
Voice Coil Diameter .....	d	ø 25.43	mm	
Voice Coil Layers .....	n	2		
Flux Density .....	B	1.1	T	
Diameter of Magnet .....	A	ø 23.5	mm	
Weight of Magnet .....		0.011	kg	

## Frequency response



## Dimensions



Unit: mm(inch)