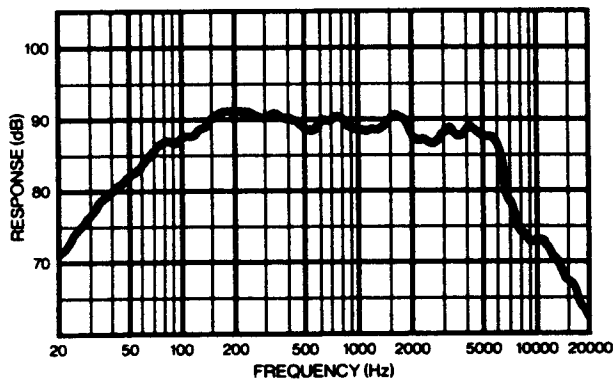


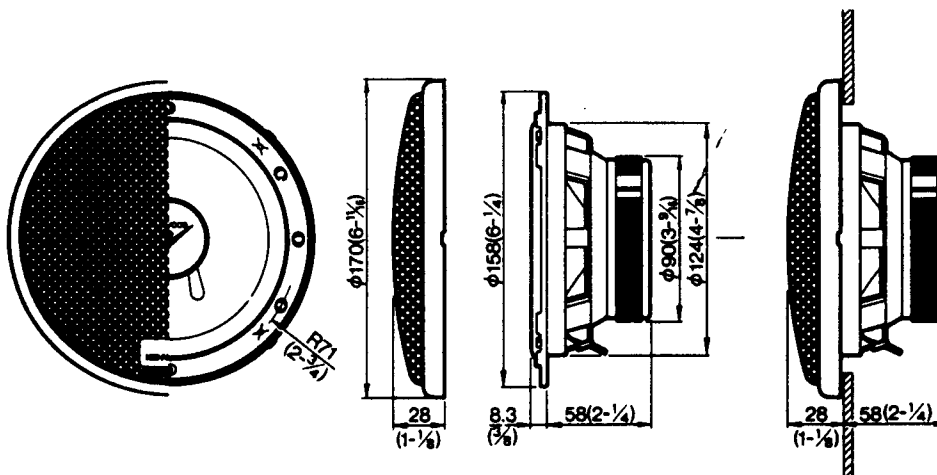
Technical Specifications

	SYMBOL	UNIT	KFC-W1600
Nominal Impedance	Z	ohms	4
DC Resistance	R _E	ohms	3.59
Voice Coil Inductance	L _{BM}	μH	1.28 × 10 ³
Resonant Frequency	F _{SO}	Hz	60
Resonant Frequency Impedance	Z _{SO}	ohms	116.2
Mechanical Q Factor	Q _{MS}		17.323
Electrical Q Factor	Q _{ES}		0.572
Total Q Factor	Q _{TS}		0.553
Volume Acoustic Compliance	V _{AS}	liter (cuft)	5.92 0.21
Mechanical Resistance	R _{MS}	kg/s	0.362
Moving Mass	M _{MS}	g	13.71
Suspension Compliance	C _{MS}	m/N	0.352 × 10 ⁻³
Emissive Diameter of the Diaphragm	D	mm	0.118
Voice Coil Diameter	d	mm	29.57
Voice Coil Layers	n		4
Flux Density	B	T	0.88
Force Factor	BL	T·m	6.432
Diameter of Magnet	A	mm	90
Weight of Magnet		kg	0.33
Total Flux	Φ	Wb	0.38 × 10 ⁻³
Peak Excursion	X max	mm	1.5

Frequency response



Dimensions



Unit: mm(inch)