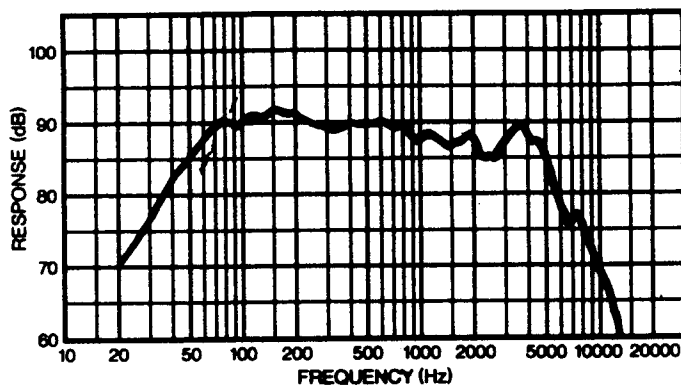


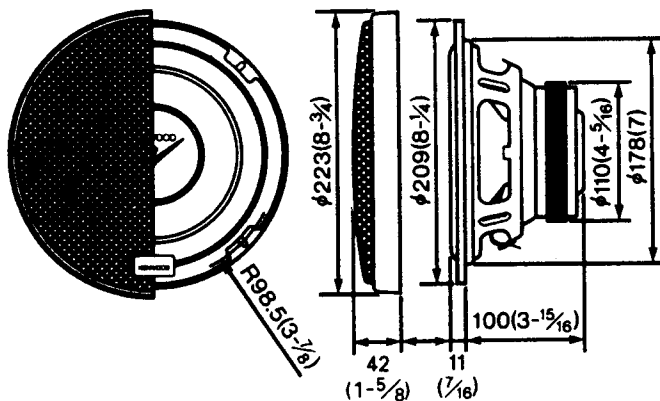
# Technical Specifications

	SYMBOL	UNIT	KFC-W2001
Nominal Impedance	Z	ohms	4
DC Resistance	R <sub>E</sub>	ohms	3.16
Voice Coil Inductance	L <sub>BM</sub>	μH	1.02 × 10 <sup>3</sup>
Resonant Frequency	F <sub>SO</sub>	Hz	40
Resonant Frequency Impedance	Z <sub>SO</sub>	ohms	53.0
Mechanical Q Factor	Q <sub>MS</sub>		14.112
Electrical Q Factor	Q <sub>ES</sub>		0.739
Total Q Factor	Q <sub>TS</sub>		0.702
Volume Acoustic Compliance	V <sub>AS</sub>	liter (cuft)	14.27 0.52
Mechanical Resistance	R <sub>MS</sub>	kg/s	0.762
Moving Mass	M <sub>MS</sub>	g	33.25
Suspension Compliance	C <sub>MS</sub>	m/N	0.281 × 10 <sup>-3</sup>
Emissive Diameter of the Diaphragm	D	mm	0.154
Voice Coil Diameter	d	mm	47.70
Voice Coil Layers	n		2
Flux Density	B	T	0.62
Force Factor	BL	T·m	6.312
Diameter of Magnet	A	mm	110
Weight of Magnet		kg	0.58
Total Flux	Φ	Wb	0.86 × 10 <sup>-3</sup>
Peak Excursion	X max	mm	4.2

## ■ Frequency response



## ■ Dimensions



Unit: mm(inch)