

# KFC-XW1202DVC / KFC-WPS1202D

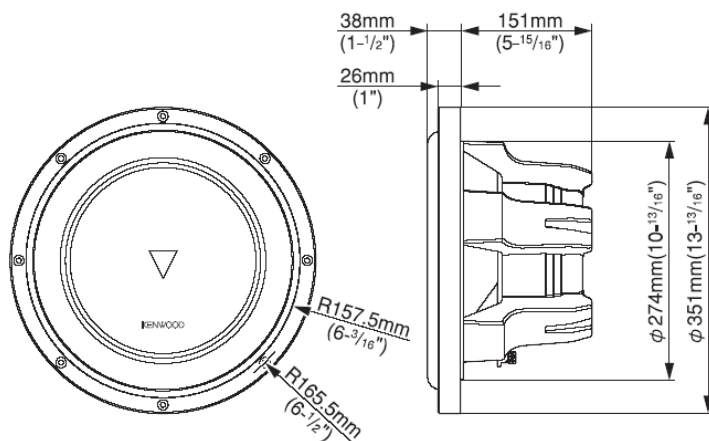
# KFC-XW1002DVC / KFC-WPS1002D

## Specifications

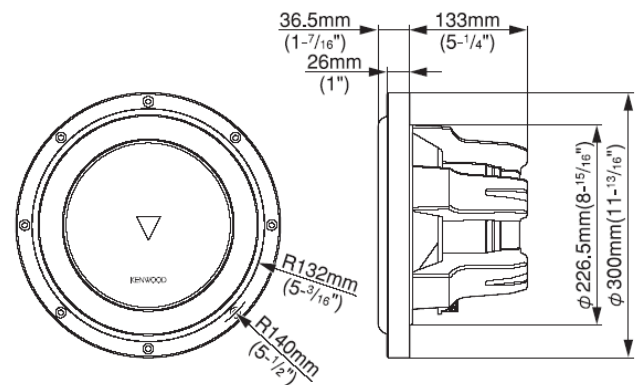
	KFC-XW1224D	KFC-XW1222D
Subwoofer	300 mm (12") Carbon-Glass Fiber Cone	
Nominal impedance	4 Ω + 4 Ω	2 Ω + 2 Ω
Peak input power	1,000 W + 1,000 W	
RMS input power	300 W + 300 W	
Sensitivity	84 dB/W at 1 m	
Free air resonance	27 Hz	28 Hz
Frequency response	32 - 500 Hz	
Net weight	6,900 g	

## Dimensions

KFC-XW1202DVC / KFC-WPS1202D



KFC-XW1002DVC / KFC-WPS1002D



## Technical specifications

### KFC-XW1202DVC/ WPS1202D

	<b>SYMBOL</b>	<b>UNIT</b>	<b>KFC-XW1202DVC KFC-WPS1202D</b>
<b>Nominal Impedance</b>	Z	$\Omega$	2 + 2
<b>DC Resistance</b>	Revc	$\Omega$	1.8 + 1.8
<b>Voice Coil Inductance</b>	Levc	mH	3.7
<b>Piston Area</b>	Sd	sq.m	0.0552
<b>Force Factor</b>	BL	T·m	9.4
<b>Volume Acoustic Compliance</b>	Vas	liter	94.16
		cu.ft	3.323
<b>Moving Mass</b>	Mms	g	220
<b>Resonance Frequency</b>	Fs	Hz	23
<b>Mechanical Q Factor</b>	Qms		4.51
<b>Electrical Q Factor</b>	Qes		0.36
<b>Total Q Factor</b>	Qts		0.33
<b>Peak Power</b>		W	1,200
<b>Peak Excursion</b>	Xmax	mm	6.4
<b>Displacement</b>		cc	1,890
		cu.ft	0.067
<b>Mounting Depth</b>		mm (in.)	151 (5 - <sup>15</sup> / <sub>16</sub> )
<b>Weight of Magnet</b>		g (oz)	2,420 (85.2)
<b>Voice Coil Diameter</b>		mm (in.)	65 (2 - <sup>9</sup> / <sub>16</sub> )

## Technical specifications

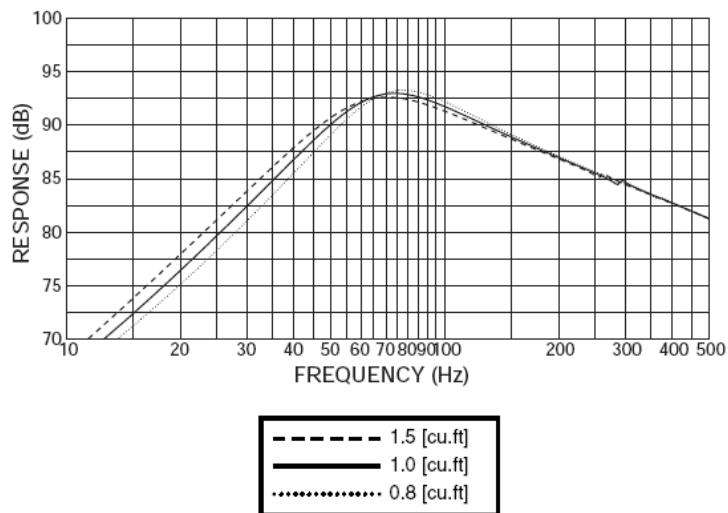
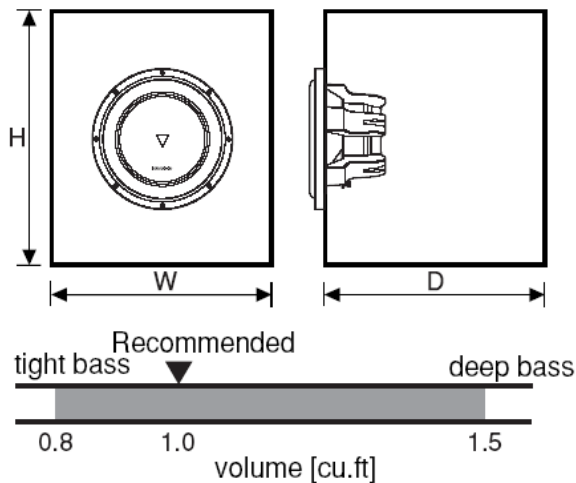
### KFC-XW1002DVC/ WPS1002D

	<b>SYMBOL</b>	<b>UNIT</b>	<b>KFC-XW1002DVC KFC-WPS1002D</b>
<b>Nominal Impedance</b>	Z	$\Omega$	2 + 2
<b>DC Resistance</b>	Revc	$\Omega$	1.8 + 1.8
<b>Voice Coil Inductance</b>	Levc	mH	3.0
<b>Piston Area</b>	Sd	sq.m	0.0380
<b>Force Factor</b>	BL	T·m	7.4
<b>Volume Acoustic Compliance</b>	Vas	liter	37.25
		cu.ft	1.315
<b>Moving Mass</b>	Mms	g	121.5
<b>Resonance Frequency</b>	Fs	Hz	34
<b>Mechanical Q Factor</b>	Qms		4.15
<b>Electrical Q Factor</b>	Qes		0.42
<b>Total Q Factor</b>	Qts		0.38
<b>Peak Power</b>		W	1,000
<b>Peak Excursion</b>	Xmax	mm	6
<b>Displacement</b>		cc	980
		cu.ft	0.035
<b>Mounting Depth</b>		mm (in.)	133 (5 - 1/4)
<b>Weight of Magnet</b>		g (oz)	1,700 (59.8)
<b>Voice Coil Diameter</b>		mm (in.)	52 (2 - 1/16)

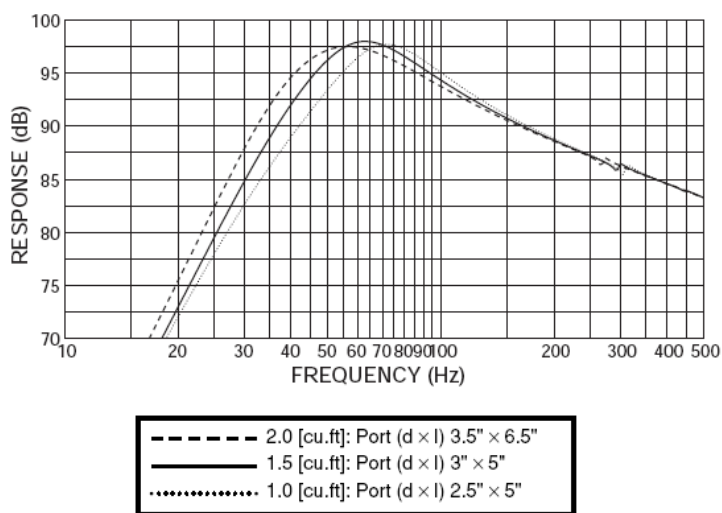
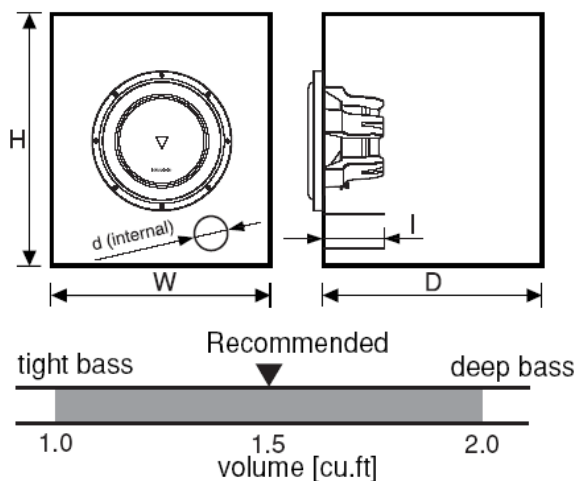
# Recommended Enclosures

## KFC-XW1202DVC/ WPS1202D

### SEALED



### PORTED



### Recommended Enclosures

\*W, H, D.....External Dimensions

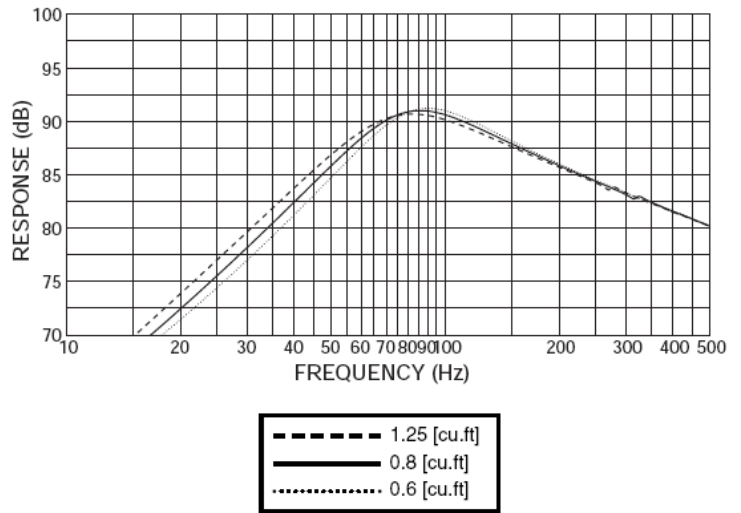
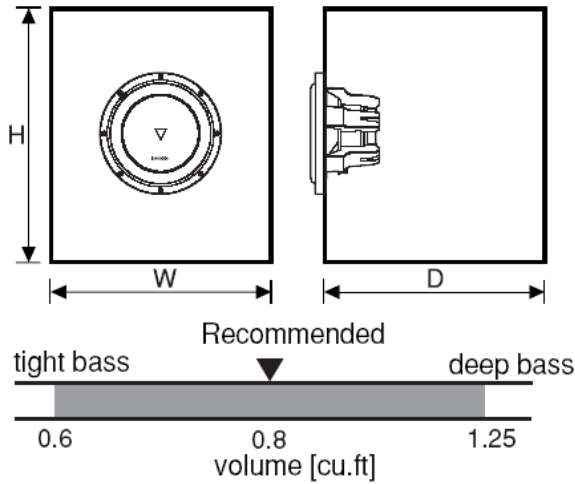
Model Name	Volume	W	H	D	Mounting Hole	Port Diameter d	Port Length l	Displacement
KFC-XW1202DVC	1.0	375 (14 - 5/8)	350 (13 - 5/8)	360 (14)	274 (10 <sup>-13/16</sup> )	Sealed	Sealed	0.067
KFC-WPS1202D	1.5	450 (17 - 9/16)	400 (15 - 5/8)	350 (13 - 5/8)		76 (3)	127 (5)	
(unit)	cu.ft	mm (in.)						cu.ft

Use 21 mm or 3/4 inch thick Medium Density Fiberboard (MDF) or High Density Particleboard.

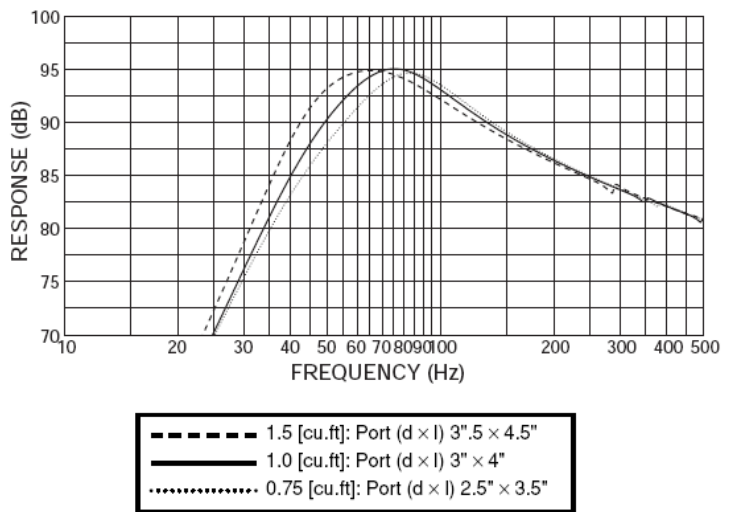
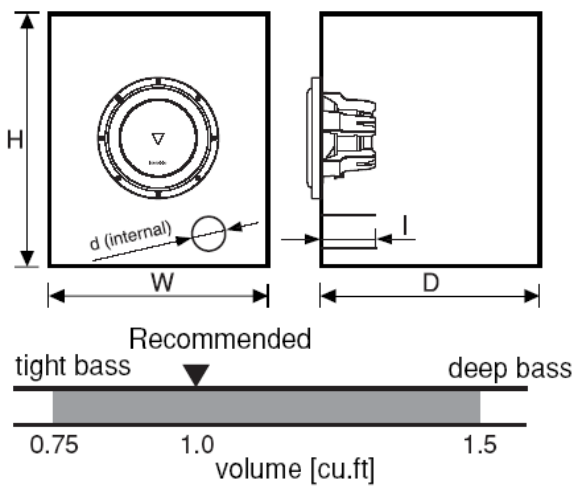
# Recommended Enclosures

## KFC-XW1002DVC/ WPS1002D

### SEALED



### PORTED



### Recommended Enclosures

\*W, H, D.....External Dimensions

Model Name	Volume	W	H	D	Mounting Hole	Port Diameter d	Port Length l	Displacement
KFC-XW1002DVC	0.8	350 (13 - 5/8)	320 (12 - 7/16)	330 (12 - 13/16)	226.5 (8-15/16)	Sealed	Sealed	0.035
KFC-WPS1002D	1.0	350 (13 - 5/8)	425 (16 - 9/16)	300 (11 - 11/16)		76 (3)	102 (4)	
(unit)	cu.ft	mm (in.)						cu.ft

Use 21 mm or 3/4 inch thick Medium Density Fiberboard (MDF) or High Density Particleboard.