

Technical Specifications

	SYMBOL	UNIT	KFC-WS302
Nominal Impedance	Z	ohms	4
DC Resistance	Revc	ohms	3.6
Voice Coil Inductance	Levc	mH	1.8
Piston Area	Sd	Sq.m	0.0491
Force Factor	BL	T.m	15.8
Volume Acoustic Compliance	Vas	liter	209
		Cu.ft	7.37
Moving Mass	Mms	g	94.4
Resonant Frequency	Fs	Hz	21
Mechanical Q Factor	Qms		4.8
Electrical Q Factor	Qes		0.22
Total Q Factor	Qts		0.21
Peak Power	W	Watts	750
Peak Excursion	Xmax	mm	4.1
Displacement		CC	4160
		Cu.ft	0.147
Mounthing Depth		in	5-1/2
Weight Of Magnet		oz	64.1
Voice Coil		in	2.6

Dati tecnici

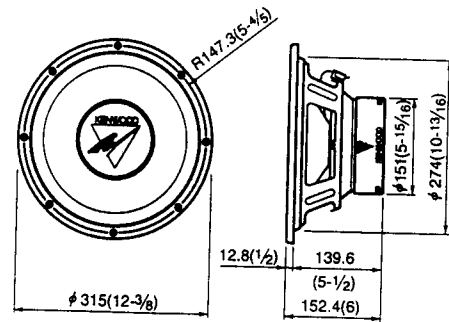
■ KFC-WS302	
Subwoofer	300 mm Tipo a cono in mica
Impedenza nominale	4 Ω
Picco istantaneo di ingresso	750 W
Ingresso nominale	250 W
Pressione suono emesso	93 dB/W a 1 m
Risonanza nell' aria	21 Hz
Risposta in frequenza	18 Hz ~ 3.000 Hz
Dimensioni	
Diametro	315 mm
Profondità	152,4 mm
Profondità de montaje	139,6 mm
Peso netto	5 kg
Parti in dotazione	vit ø 5 - 25 × 8 Distanziale × 1

Recommended Enclosures

	UNIT	KFC-WS302
Width (W)	in (mm)	15-3/4 (400)
Height (H)	in (mm)	14-15/16 (380)
Depth (D)	in (mm)	9-5/8 (244)
Mounthing Hole Diameter	in (mm)	10-7/8 (276)
Displacement	Cu.ft	0.147
Box Volume	Cu.ft	0.88

■ Dimensions

KFC-WS302



Above dimensions (W, H, D) are based on 3/4 inch (19mm) thickness board.

■ Frequency response

KFC-WS302

