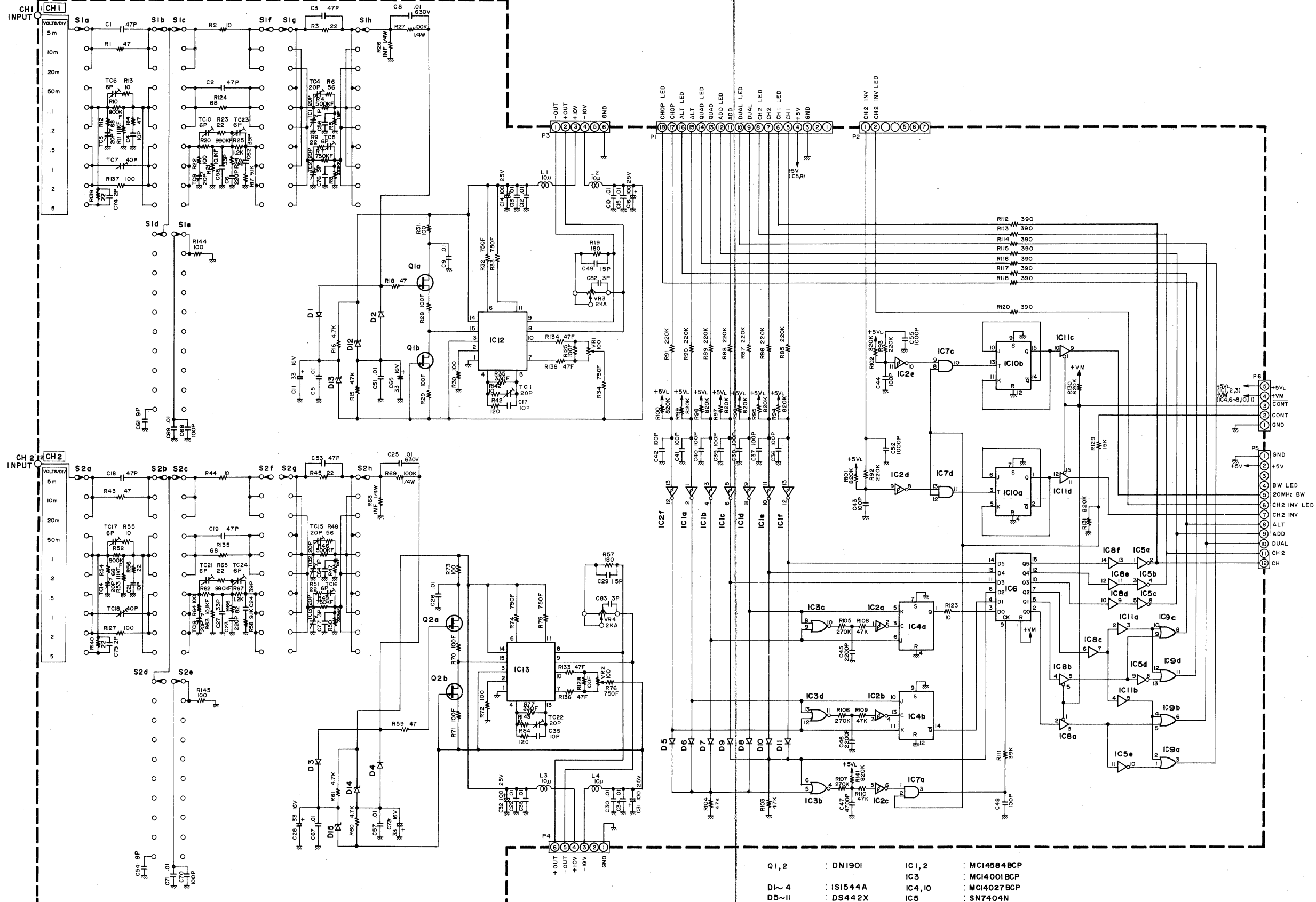


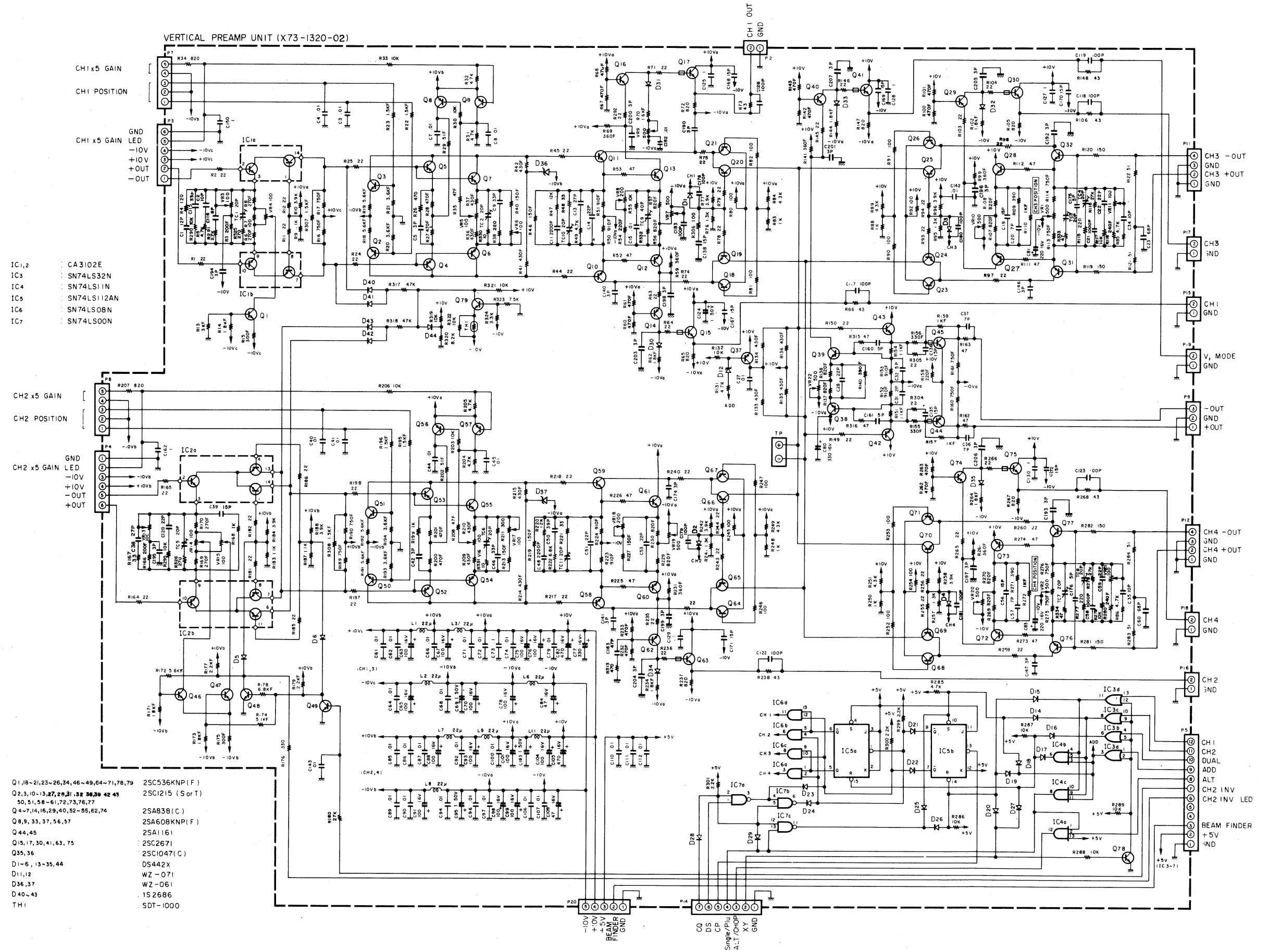
VERTICAL ATTENUATOR UNIT (X75-1120-02)

VERTICAL ATTENUATOR UNIT (X75-1120-02)

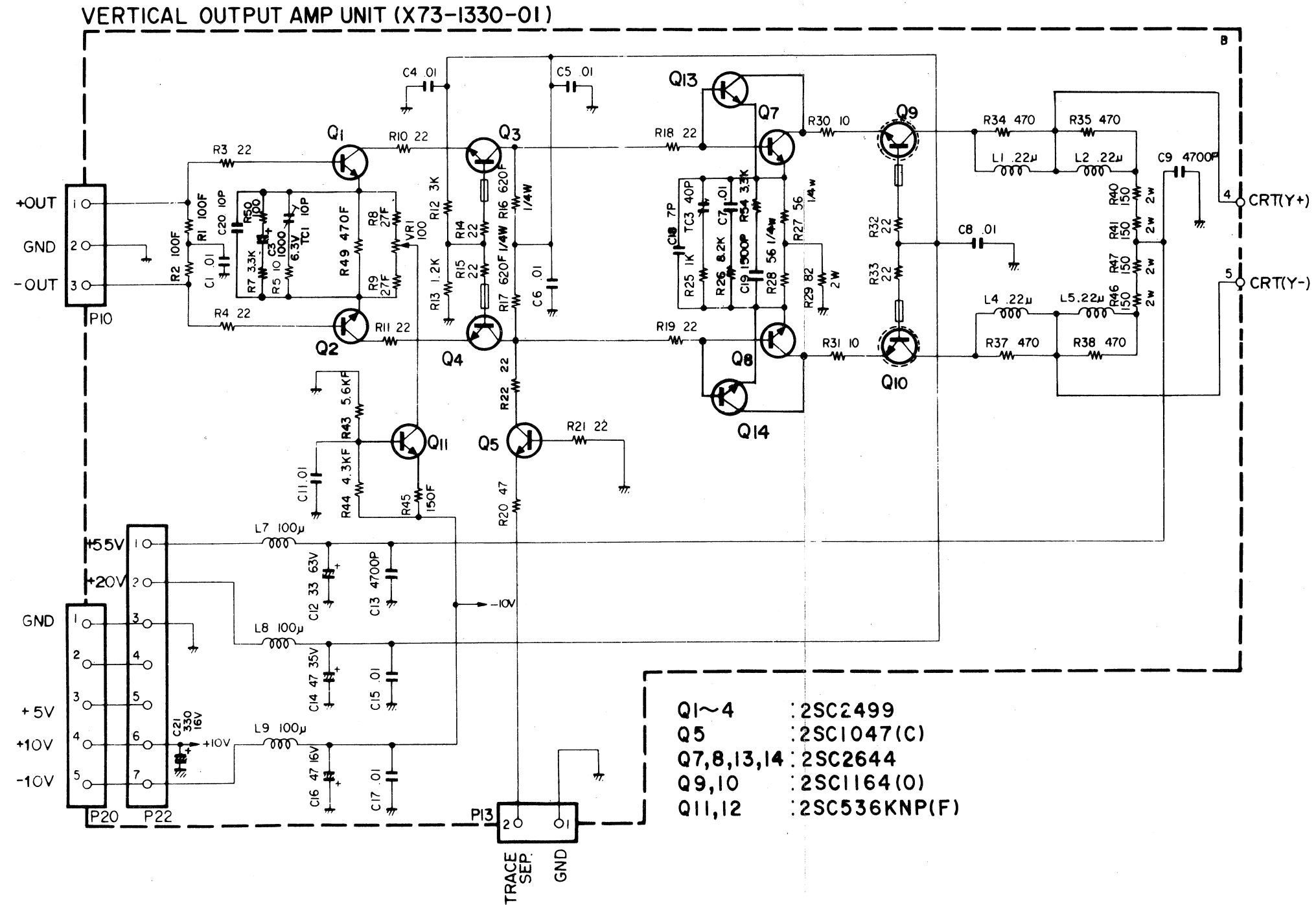


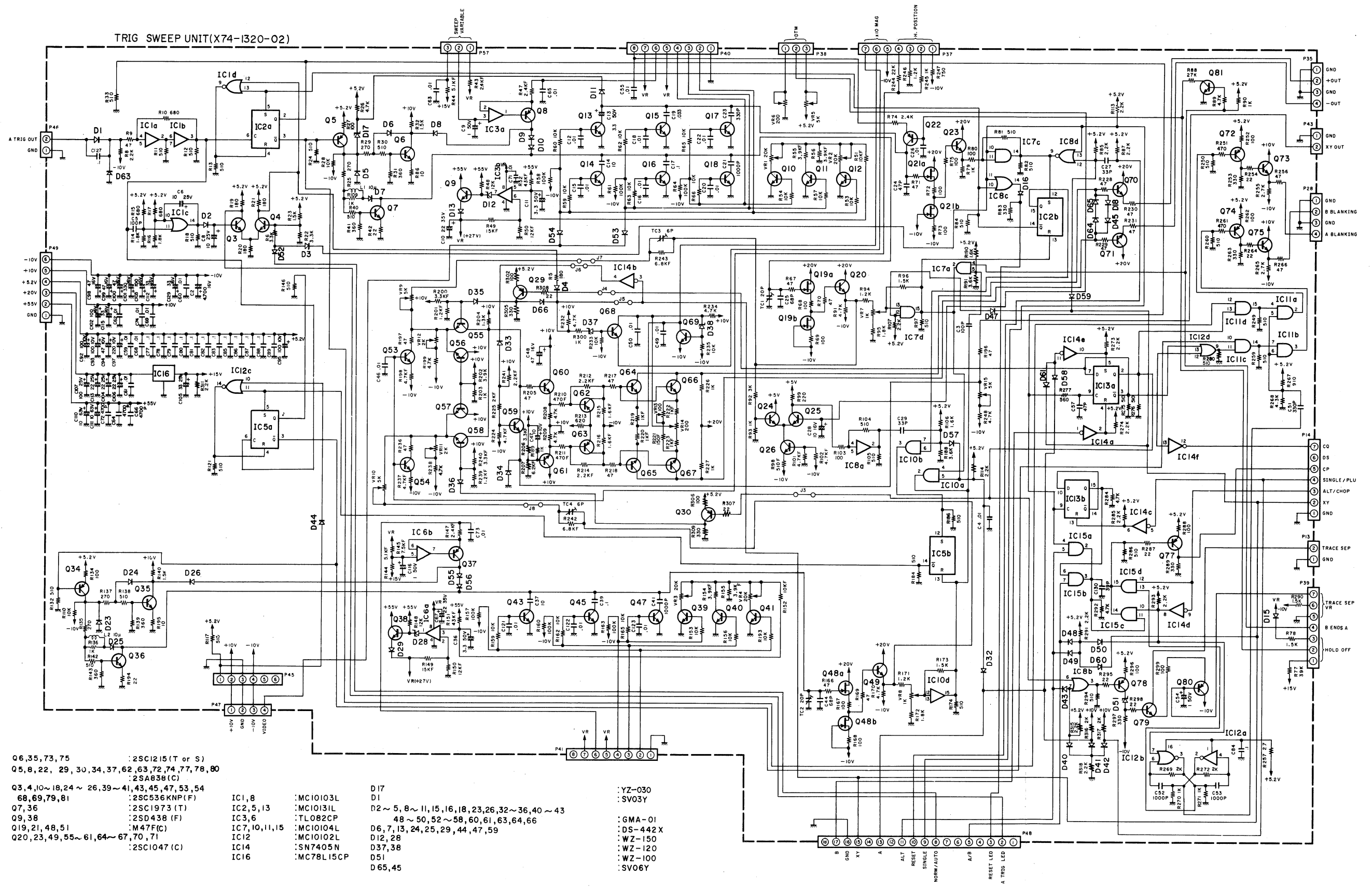
- | | | | |
|--------|-----------|-----------|--------------|
| Q 1, 2 | : DN190I | IC 1, 2 | : MC14584BCP |
| D1~4 | : 1S1544A | IC 3 | : MC14001BCP |
| D5~11 | : DS442X | IC 4, 10 | : MC14027BCP |
| D12~15 | : WZ-120 | IC 5 | : SN7404N |
| | | IC 6 | : MC14174BCP |
| | | IC 7 | : MC14081BCP |
| | | IC 8, 11 | : MC14503BCP |
| | | IC 9 | : SN7432N |
| | | IC 12, 13 | : ATM-4020 |

VERTICAL PREAMP UNIT (X73-1320-02)



VERTICAL OUTPUT AMP UNIT (X73-1330-01)

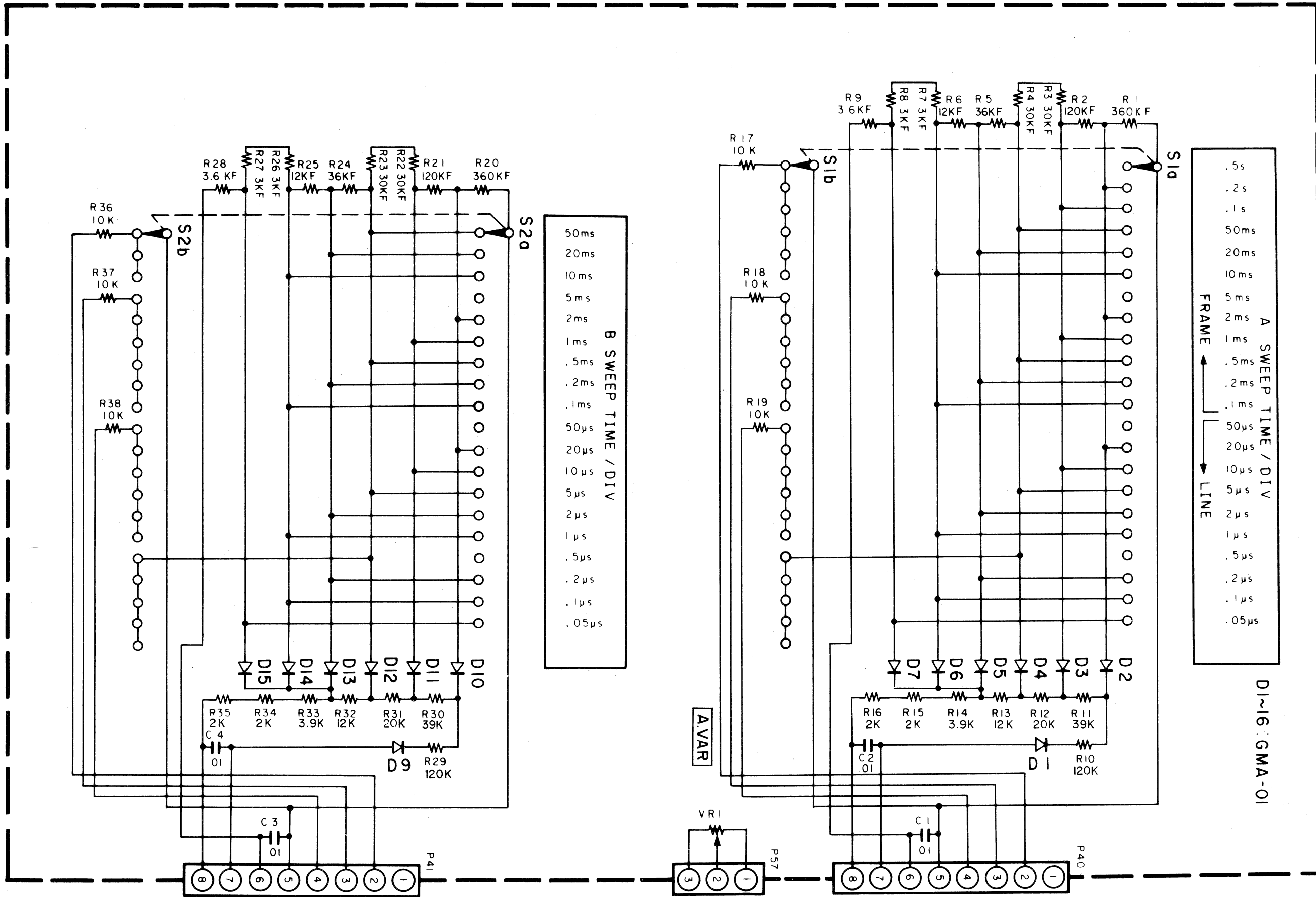




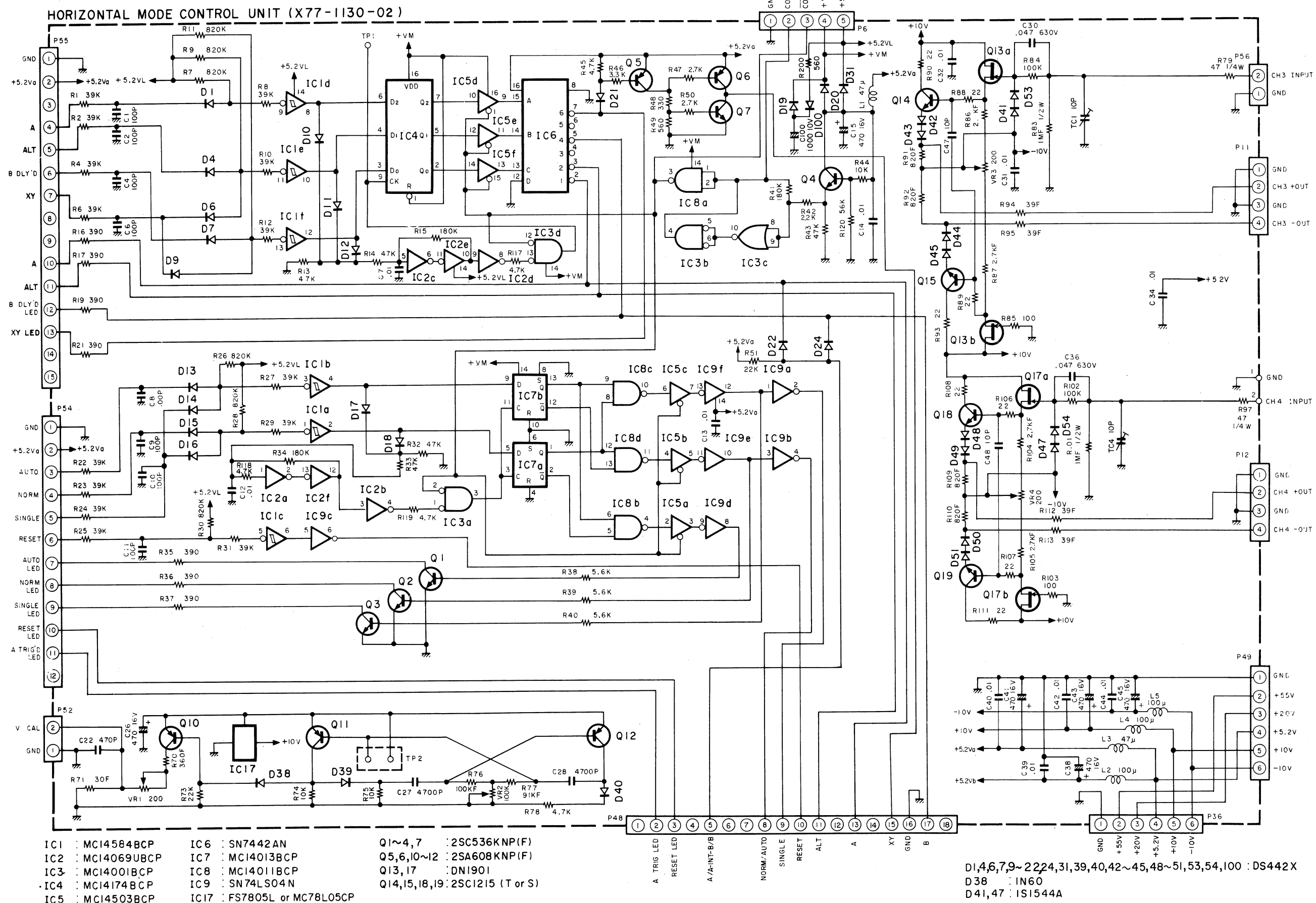
- | | | | | | |
|--|--------------------|--------------|-------------|--------------------------------------|-----------|
| Q6,35,73,75 | : 2SC1215 (T or S) | IC1,8 | : MC10103L | D17 | : YZ-030 |
| Q5,8,22, 29, 30,34,37,62,63,72,74,77,78,80 | : 2SA838 (C) | IC2,5,13 | : MC10131L | D1 | : SV03Y |
| Q3,4,10~18,24~26,39~41,43,45,47,53,54 | : 2SC536K (F) | IC3,6 | : TL082CP | D2~5,8~11,15,16,18,23,26,32~36,40~43 | : GMA-01 |
| 68,69,79,81 | : 2SC1973 (T) | IC7,10,11,15 | : MC10104L | 48~50,52~58,60,61,63,64,66 | : DS-442X |
| Q7,36 | : 2SD438 (F) | IC12 | : MC10102L | D6,7,13,24,25,29,44,47,59 | : WZ-150 |
| Q9,38 | : M47F (C) | IC14 | : SN7405N | D12,28 | : WZ-120 |
| Q19,21,48,51 | : 2SC1047 (C) | IC16 | : MC78L15CP | D37,38 | : WZ-100 |
| Q20,23,49,55~61,64~67,70,71 | | | | D51 | : SV06Y |
| | | | | D65,45 | |

SWEEP ROTARY UNIT (X74-1310-02)

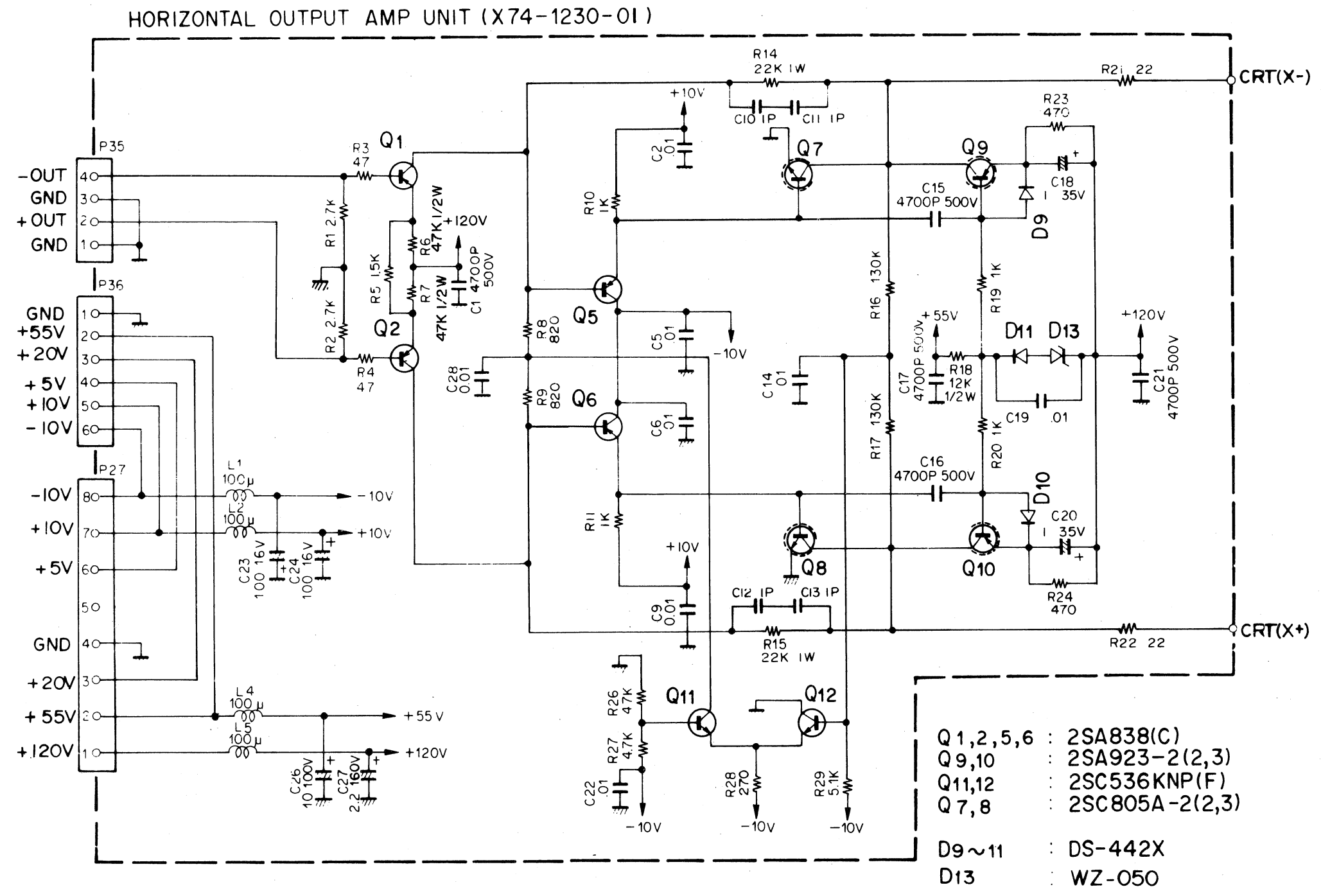
SWEEP ROTARY UNIT (X74-1310-02)



HORIZONTAL MODE CONTROL UNIT (X77-1130-02)

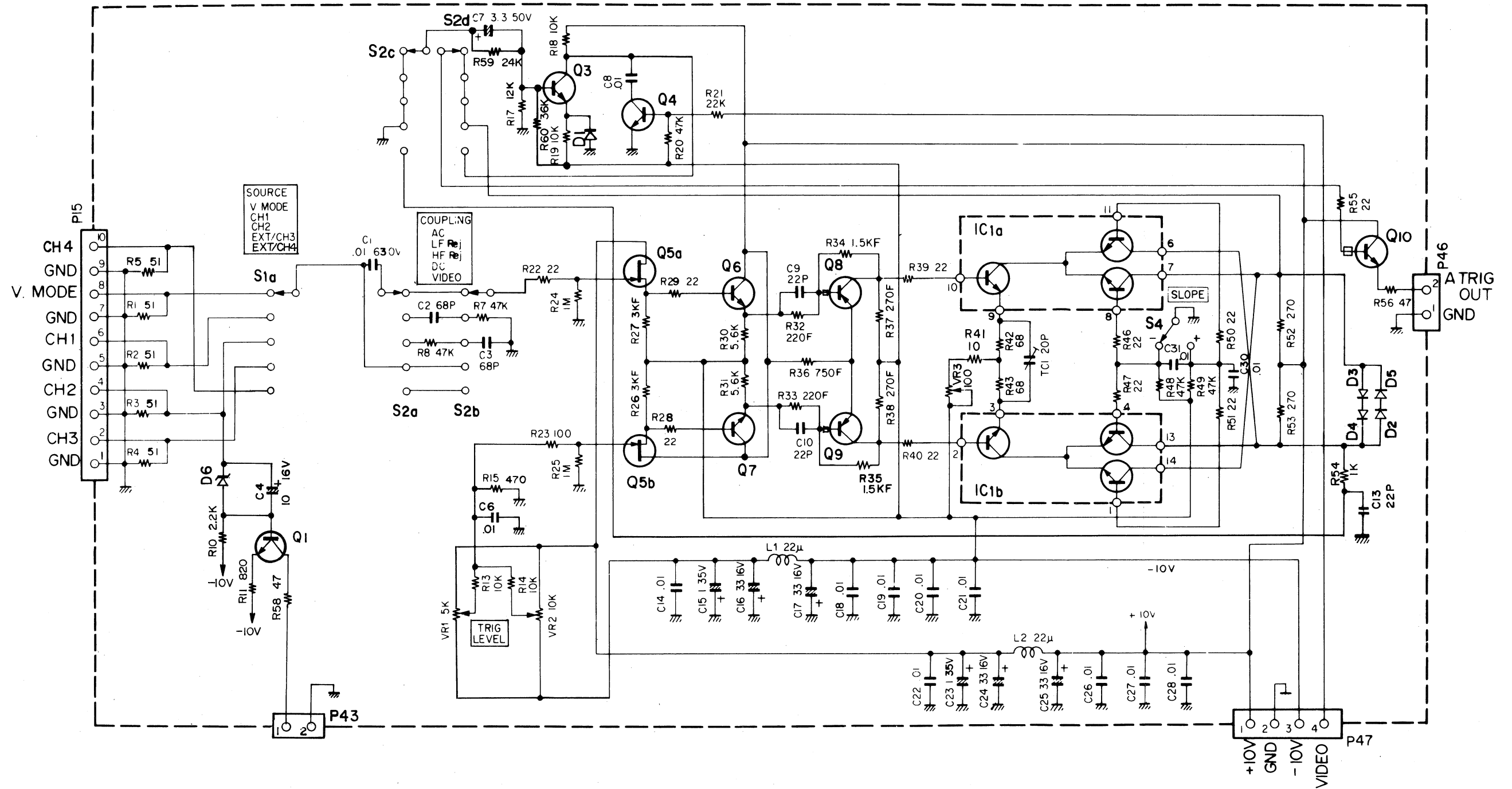


HORIZONTAL OUTPUT AMP UNIT (X74-1230-01)



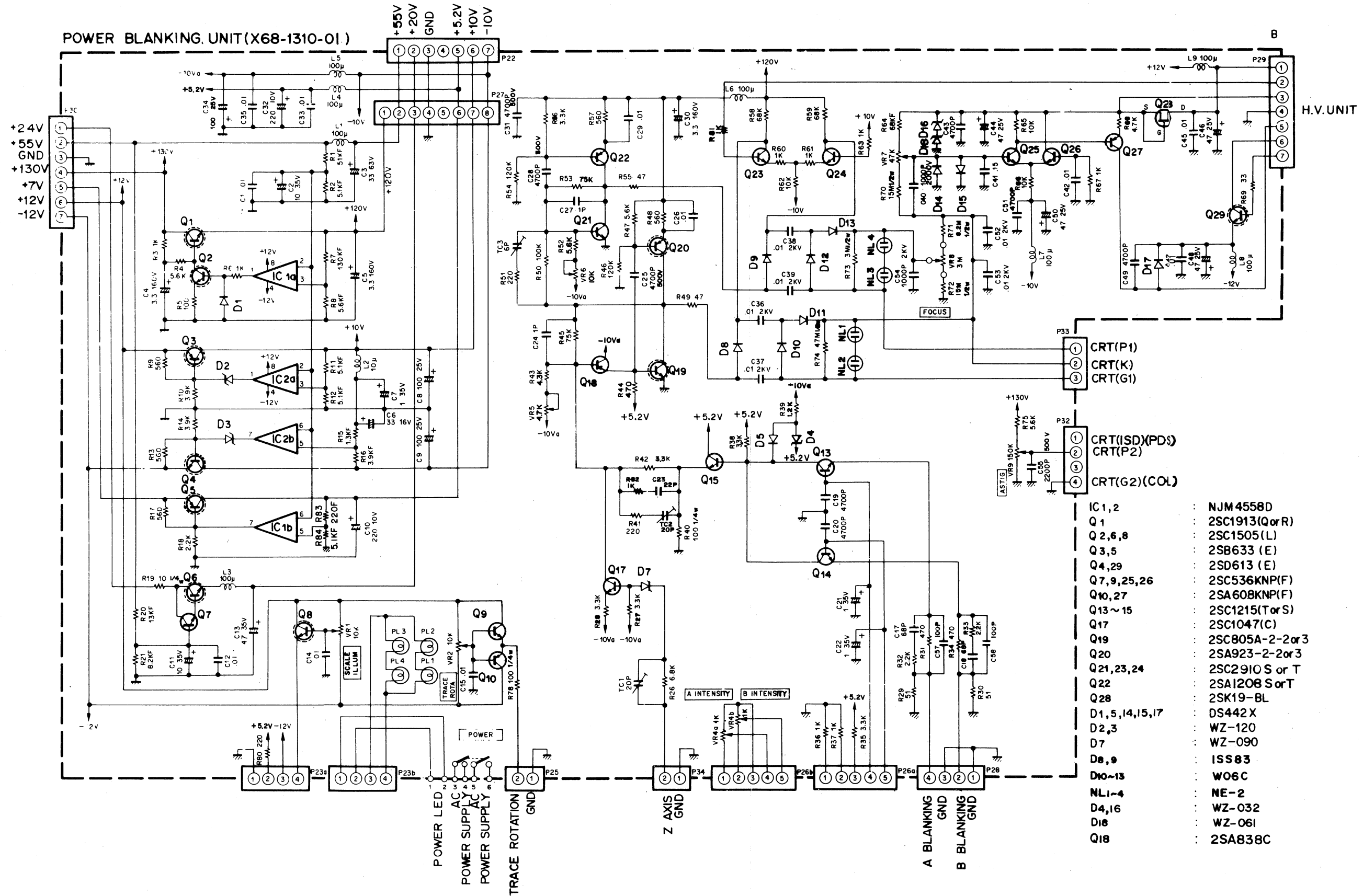
A TRIG SWITCH UNIT (X77-1110-02)

A TRIG SWITCH UNIT (X77-1110-02)

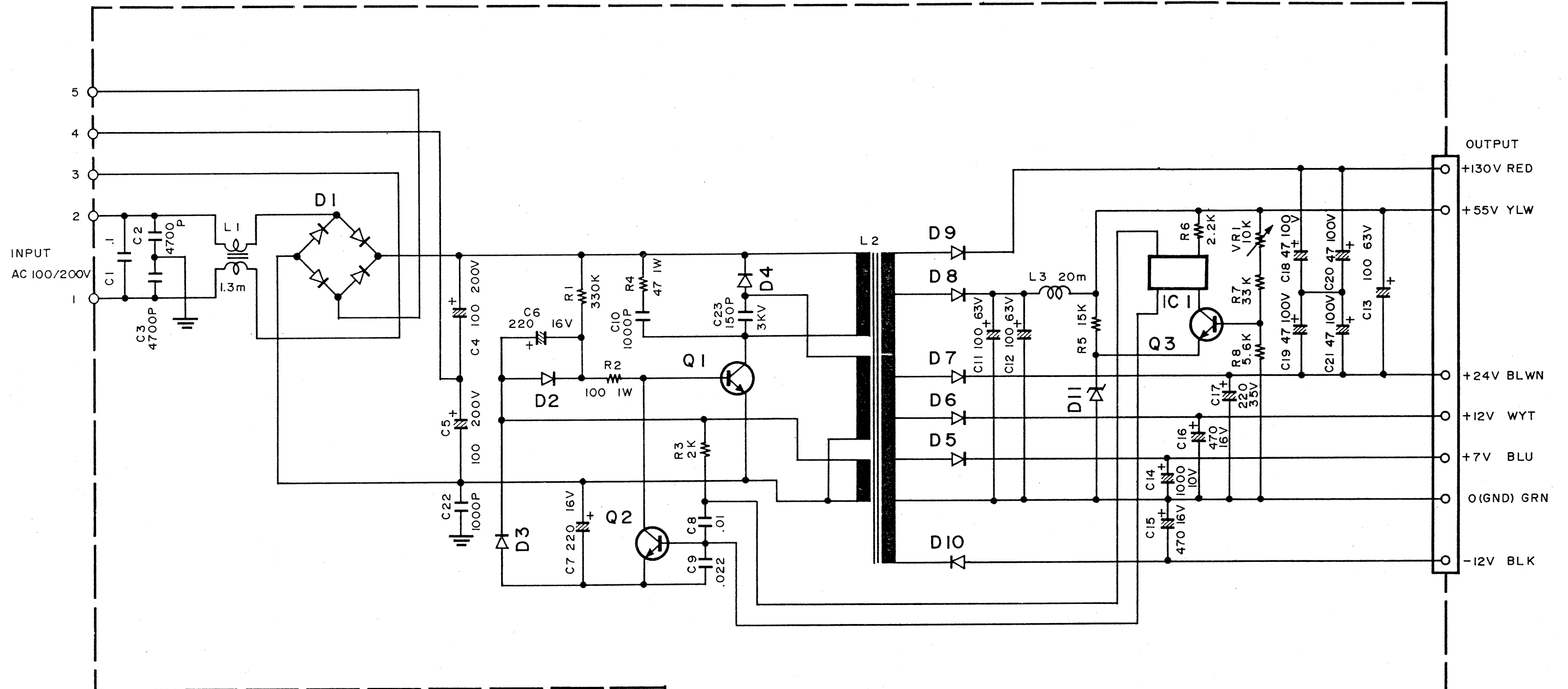


- IC1 : CA3102E
- Q3,4 : 2SC536KNP(F)
- Q5 : DN190I
- Q6,7 : 2SC1215(T or S)
- Q8,9 : 2SA116I
- Q10 : 2SC267I
- D1~5 : DS442X
- D6 : WZ-08I

POWER BLANKING UNIT (X68-1310-01)



SWITCHING POWER SUPPLY(W02-0405-15)



- | | | | |
|------|--------------|----------|------------|
| Q 1 | : 2SC1308K | D 1 | : DBA20G |
| Q 2 | : 2SC2274(E) | D 2,3 | : DFA01C |
| Q 3 | : 2SC2363(E) | D 4 | : ERC25-06 |
| IC 1 | : PC714U | D 5,6,10 | : S5KC20 |
| | | D 7~9 | : ERC25-04 |
| | | D 11 | : GZA6.2Y |