

KENWOOD

NTSC VECTORSCOPE

CV-1250

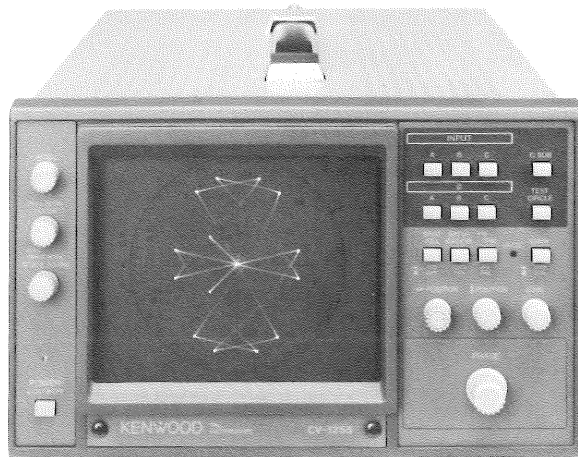
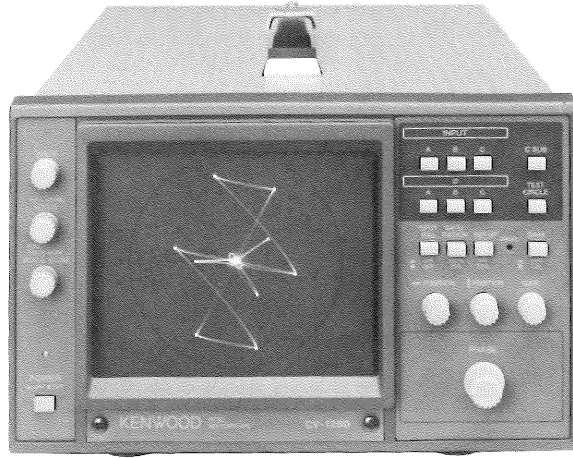
PAL VECTORSCOPE

CV-1255

---

SERVICE MANUAL

KENWOOD CORPORATION



## **WARNING**

The following instructions are for use by qualified personnel only. To avoid electric shock, do not perform any servicing other than contained in the operating instructions unless you are qualified to do so.

## **CONTENTS**

<b>ADJUSTMENT .....</b>	<b>3</b>
<b>PARTS LIST .....</b>	<b>10</b>
<b>SCHEMATIC DIAGRAM .....</b>	<b>29</b>
<b>P.C. BOARD .....</b>	<b>44</b>

# ADJUSTMENT

To obtain the best performance, periodically calibrate the unit. Sometimes, only one mode need be calibrated, while at other times, all modes should be calibrated. When one mode is calibrated, it must be noted that the other modes may be affected. When calibrating all modes, perform the calibration in the specified sequence.

The following calibration required an accurate measuring instrument and an insulated adjusting flat blade screwdriver. If they are not available, contact your dealer. For optimum adjustment, turn the power on and warm up the scope sufficiently (more than 30 minutes) before starting.

Before calibrating the scope, check the power supply voltage.

## TEST EQUIPMENT REQUIRED

The following instrument or their equivalent should be used for making adjustment.

Test Equipment	Model	Maker
Multi-meter	45	Fluke
Oscilloscope	CS-6030	KENWOOD
NTSC Color Pattern Generator	CG-931	KENWOOD
PAL Color Pattern Generator	CG-932	KENWOOD
NTSC Signal Generator	1410	Tektronix
PAL Signal Generator	1411	Tektronix
NTSC Color Bar	TSG-7	Tektronix
PAL Color Bar	TSG-11	Tektronix
NTSC Steer Case	TSG-3	Tektronix
PAL Steer Case	TSG-13	Tektronix
Pulse Generator	PG-506	Tektronix
Synthesizer	HP-3325B	H.P
50 $\Omega$ Termination	—	—
75 $\Omega$ Termination	—	—

## PREPARATION FOR ADJUSTMENT

### Control Settings

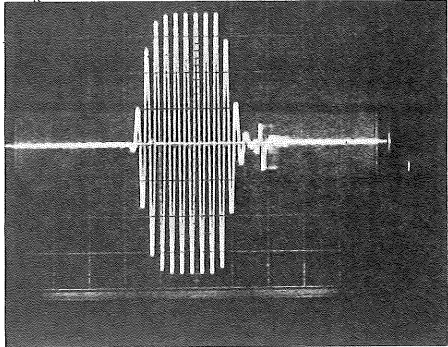
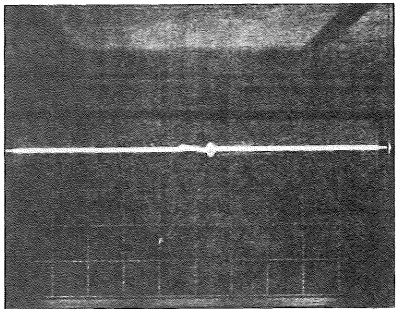
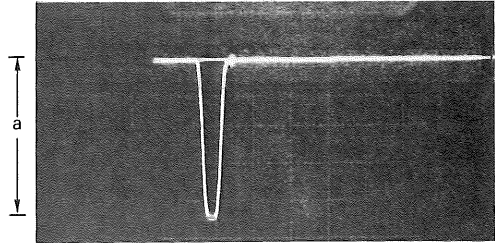
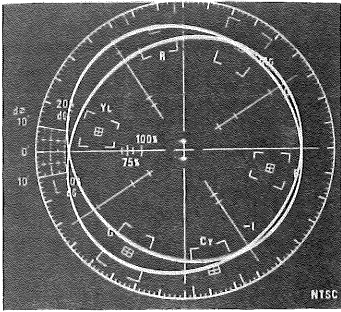
The control settings listed below must be used for each adjustment procedure.

Exceptions to these settings will be noted as they occur. After completing a adjustment, return the controls to the following settings.

NAME OF KNOBS	POSITION
POWER	ON
SCALE ILLUM	Desired position
FOCUS	Best position
ASTIG	Best position
INTENSITY	Desired position
◀▶ POSITION	Spot center
⬆️ POSITION	Spot center
GAIN	CAL
INPUT	A
∅	A
SATURATION	75%
TEST CIRCLE	OFF
PHASE	Desired position

Item	Adjustment VR	P.C. B	Procedure
+12 V	VR1	X68-1620	<ul style="list-style-type: none"> <li>● Adjust so that the multimeter reads +12 V.</li> </ul>
FOCUS Center & ASTIG	VR102	X68-1620	<ul style="list-style-type: none"> <li>● Adjust the position controls to bring the spot to the center of the CRT.</li> <li>● Adjust the FOCUS and ASTIG controls on the front panel to adjust the spot to the best point.</li> <li>● Set the FOCUS control on the panel to the 12 o'clock position and adjust the spot to the optimum point with VR102.</li> </ul>
INTENSITY	VR101	X68-1620	<ul style="list-style-type: none"> <li>● Set the INTEN control to the 10 o'clock position.</li> <li>● With the control in the 10 o'clock position, adjust so that the spot disappears.</li> </ul>
X-Final Bias	VR105 VR106	X73-1910	<ul style="list-style-type: none"> <li>● Adjust VR105 so that the spot move symmetrically to the left and right when ▶◀ POSITION is operated.</li> <li>● Adjust the POSI control to bring the spot to the center.</li> <li>● Adjust V106 so that the voltage across ① and ③ of P304 becomes 70 V.</li> </ul>
Y-Final Bias	VR6	X73-1910	<ul style="list-style-type: none"> <li>● Adjust ⬆️ POSITION to move the spot to the center.</li> <li>● Adjust VR6 so that the voltage across ① and ③ of P302 becomes 41 V.</li> </ul>
INPUT ATT	TC1 TC2 TC3	X73-1960	<ul style="list-style-type: none"> <li>● Input color bar signal to A INPUT (with 75 <math>\Omega</math> termination).</li> <li>● Connect the oscilloscope to the emitter of Q7 and adjust so that the waveform comes to the best point. (Prior to this, confirm the oscilloscope probes with square wave signal.)</li> <li>● Adjust B INPUT and C INPUT with the same procedure as above. However, use the emitter of Q8 with B input and the emitter of Q9 with C INPUT.</li> </ul>

# ADJUSTMENT

Item	Adjustment VR	P.C. B	Procedure
V.C.O	L6	X81-2970	<ul style="list-style-type: none"> <li>Connect the oscilloscope to ② of P20 and adjust to maximize the amplitude.</li> </ul>
Burst Gate Pulse	VR201 VR202	X73-1960	<ul style="list-style-type: none"> <li>Monitor test pin TP1 (X81-2970) on the oscilloscope.</li> <li>Adjust the points before and after to the optimum points.</li> </ul>  <p>NTSC: approx. 2 <math>\mu</math> PAL: approx. 4 <math>\mu</math></p>
Burst Gain	L1	X81-2970	<ul style="list-style-type: none"> <li>Adjust to maximize the amplitude.</li> </ul>
R-Y (V) Decode	VR1	X81-2970	<ul style="list-style-type: none"> <li>Adjust to minimize the waveform swing.</li> </ul> 
B-Y (U) Decode	VR2	X81-2970	<ul style="list-style-type: none"> <li>Adjust to maximize the waveform swing (in negative direction) (section a).</li> </ul> 
V.C.X.O DC Level	TC1	X81-2970	<ul style="list-style-type: none"> <li>Adjust the level at the measured point to +5.5 V.</li> </ul>
Test circle POSI	VR202	X81-2970	<ul style="list-style-type: none"> <li>Switch ON the test circle on the panel.</li> <li>Adjust so that only one center dot is displayed.</li> </ul> <p>fsc: NTSC 3.579545 MHz PAL 4.43361875 MHz Level: 700 mV</p> 

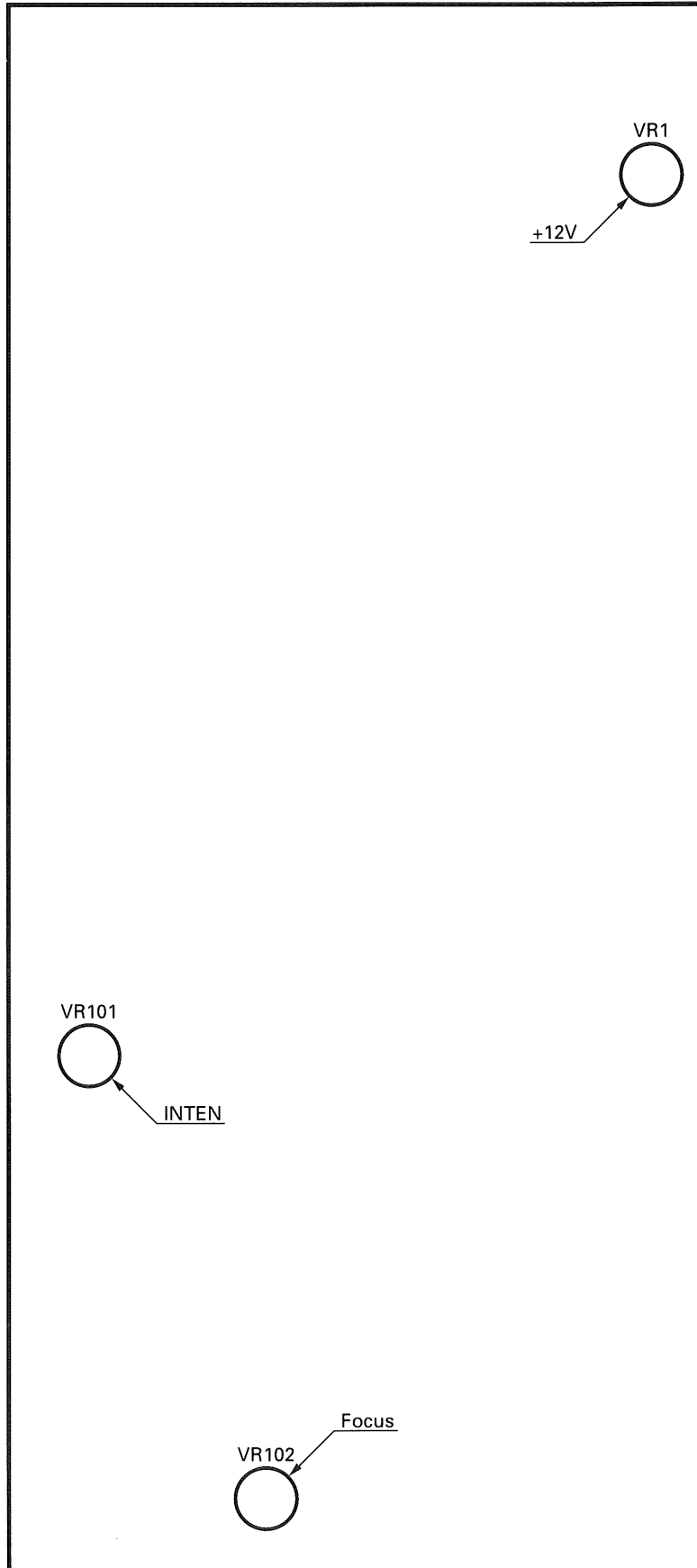




# ADJUSTMENT

POWER SUPPLY UNIT (X68-1620-00)

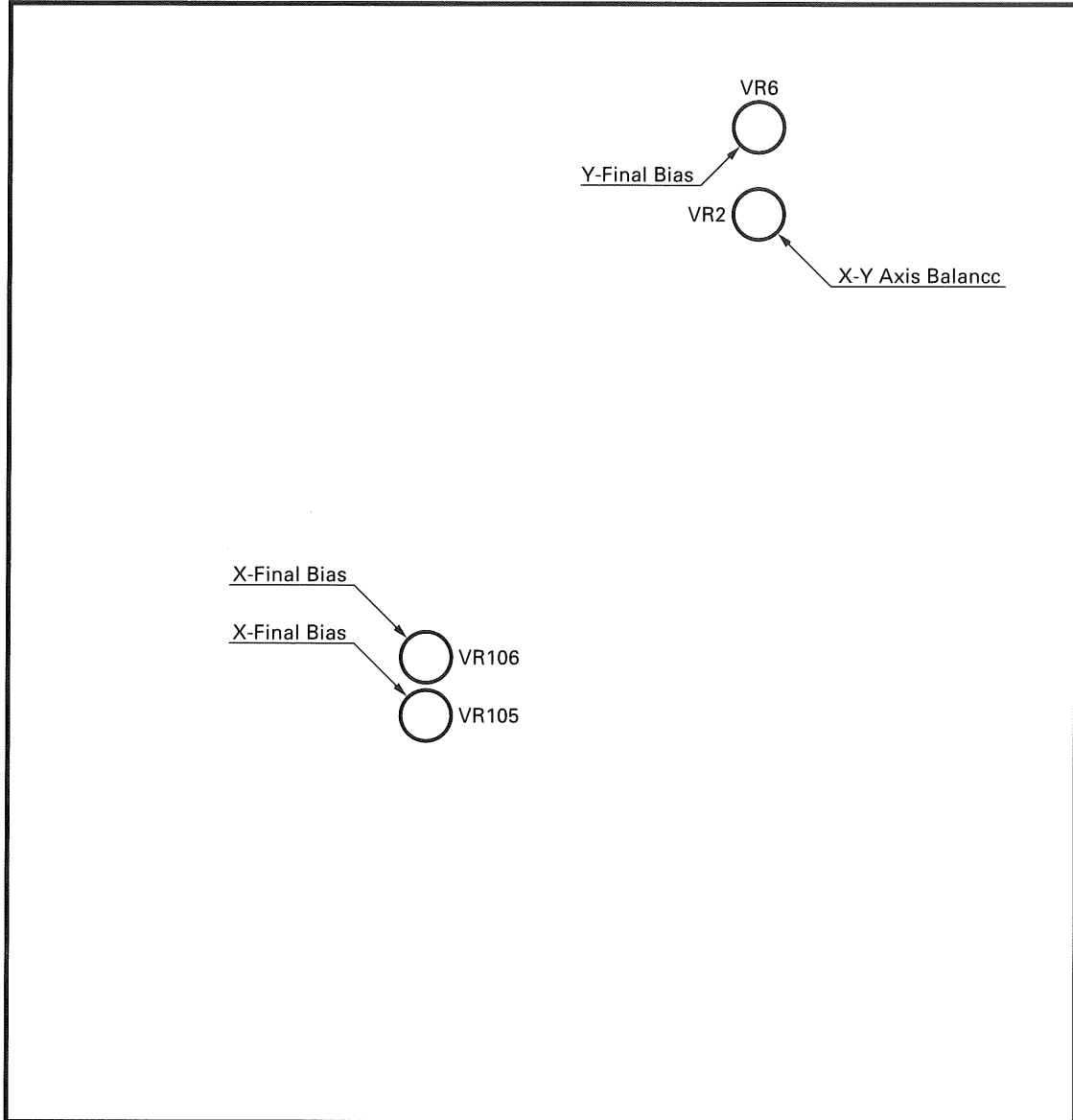
Pattern side view



# ADJUSTMENT

FINAL UNIT (X73-1910-00)

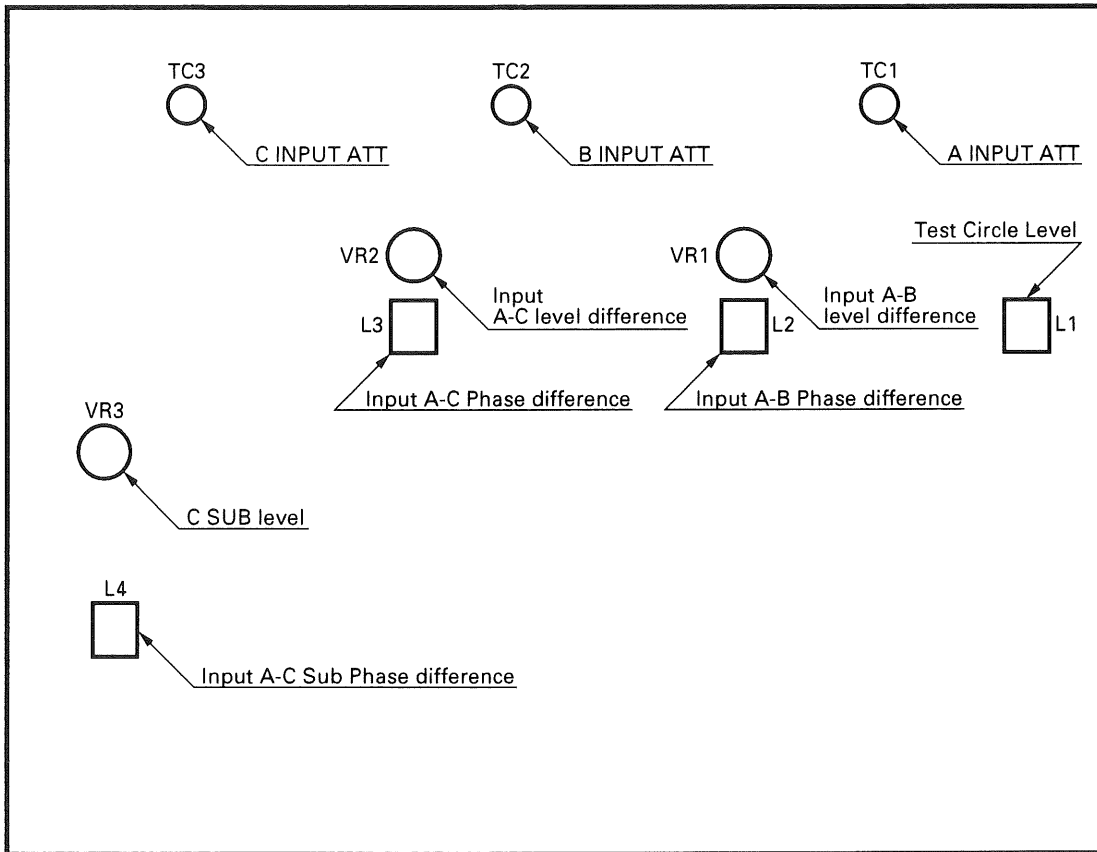
Pattern side view



# ADJUSTMENT

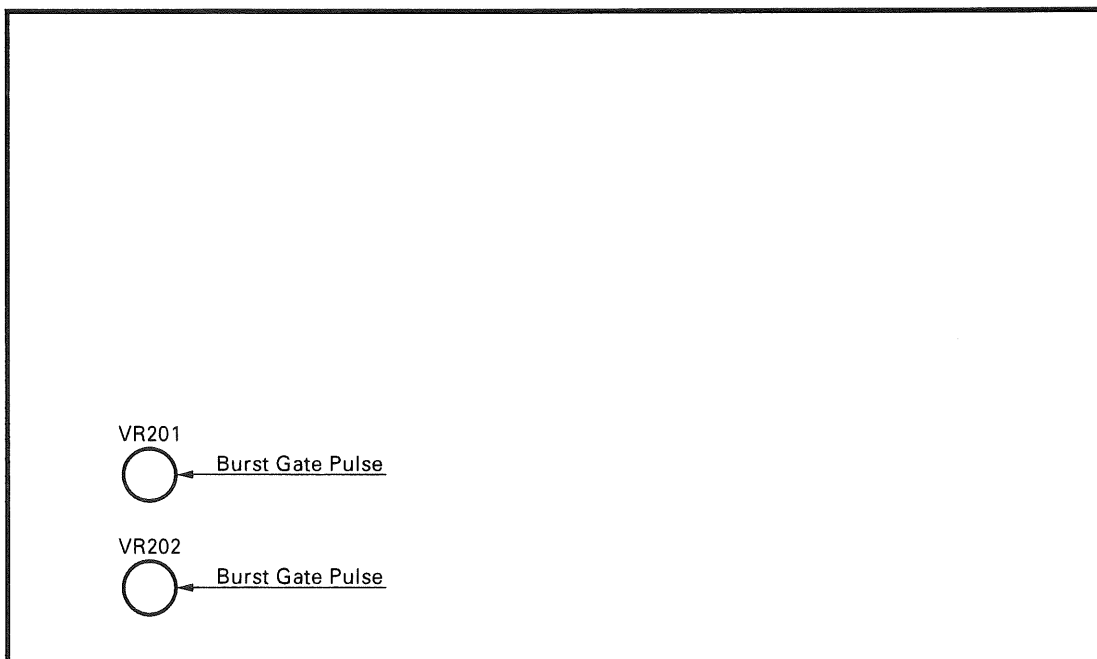
## INPUT AMP UNIT (X73-1960-00/01) A

Pattern side view



## INPUT AMP UNIT (X73-1960-00/01) B

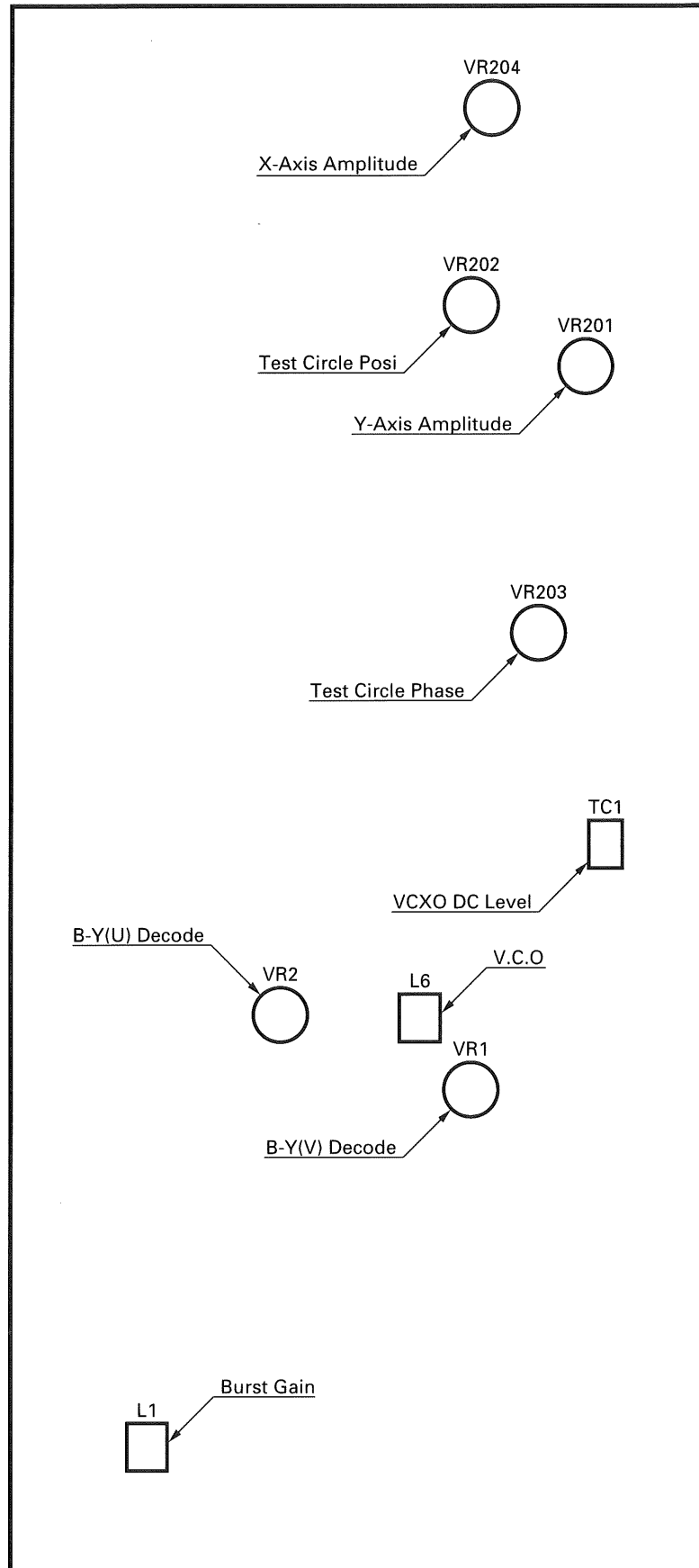
Pattern side view



# ADJUSTMENT

DECODER UNIT (X81-2970-00/01)

Pattern side view



# PARTS LIST

CV-1250

Y71-1150-00

REF. NO	PARTS NO	NAME & DESCRIPTION
A01-1256-12		CASE, TOP
A01-1257-12		CASE, BOTTOM
A13-0982-03		FRAME; TOP, FOR MOLDED PANEL
A13-0983-13		FRAME; BOTTOM, FOR MOLDED PANEL
A13-0984-12		FRAME; RIGHT
A13-0985-12		FRAME; LEFT
A21-1190-14		DECORATIVE PANEL; POWER
A21-1191-04		DECORATIVE PANEL
A63-0047-21		MOLDED PANEL
A83-0029-12		REAR PANEL
B11-0536-14		FILTER
B30-0952-05		LAMP (T4.2 8V 0.15A)
B38-0411-05		ILLUMI LAMP ASS'Y
B41-0710-04		CAUTION LABEL; [HIGH VOLTAGE]
B42-3818-04		SERIAL NO. PLATE
B63-0076-00		INSTRUCTION MANUAL; ENG./JAP.
B73-0019-14		NAME PLATE; MODEL NO.
CC45CH1H101J		CAP. CERAMIC 100P 5% 50V
D19-0505-05		FLEXIBLE WIRE, FOR POWER SWITCH
D21-0931-03		EXTENSION SHAFT
E04-0263-05		BNC RECEPTACLE
E18-0365-05		AC SELECTOR WITH 6X30MM FUSE
E18-0366-15		AC SELECTOR WITH 5X20MM FUSE
E21-0667-05		METAL TERMINAL
E23-0546-24		EARTH PLATE
E23-0588-14		EARTH PLATE, ATTACHED TO BRACKE
E30-1644-15		BS POWER CORD
E30-1645-05		CEE POWER CODE SET
E30-1647-05		SAA POWER CORD SET
E30-1722-05		JIS POWER CORD SET
E30-2013-05		UL/CSA POWER CORD SET
E31-0564-15		WIRE ASS'Y; AC IN TO GND
E31-2382-05		WIRE ASS'Y; EARTH
E31-2687-05		WIRE ASS'Y;
E38-0503-05		WIRE ASS'Y; P5 TO P101
E38-0504-15		WIRE ASS'Y; P6 TO P209
E38-0505-15		WIRE ASS'Y; P5 TO P103
E38-0506-05		WIRE ASS'Y; P10 TO P16
E38-0507-05		WIRE ASS'Y; P11 TO P15
E38-0508-15		WIRE ASS'Y; P19 TO P212
E38-0509-15		WIRE ASS'Y;
E38-0510-05		WIRE ASS'Y; P204 TO P404
E38-0511-05		WIRE ASS'Y; P20 TO P113
E38-0512-05		WIRE ASS'Y; P18 TO P109
E38-0513-05		WIRE ASS'Y; P102 TO P111
E38-0515-05		WIRE ASS'Y; P203 TO P403
E38-0516-05		WIRE ASS'Y; P205 TO P405
E38-0517-05		WIRE ASS'Y; P21 TO P113
E38-0518-05		WIRE ASS'Y; P210 TO P309
F05-1023-05		FUSE (6X32MM) 1A/250V
F05-5013-05		FUSE (6X32MM) 0.5A/250V
F05-5016-05		FUSE (5X20MM) T500MA/250V
F10-1665-04		SHIELD PLATE
F11-1206-13		SHIELD CASE, CRT
F11-1249-03		SHIELD CASE
F11-1250-04		SHIELD PLATE
F11-1252-04		SHIELD CASE; 2
F11-1261-04		SHIELD, CRT
F15-0760-04		BLIND PLATE
F15-0763-04		FELT
F20-0698-03		INSULATOR
F20-0699-04		INSULATOR
F29-0508-05		CAP FOR BNC
G13-0737-14		CUSHION
G16-0609-04		RUBBER SHEET
H10-2862-02		FOAMED STYRENE PAD, FRONT
H10-2863-02		FOAMED STYRENE PAD, REAR
H20-1725-04		VINYL COVER
H53-0055-04		CARTON BOX
J02-0089-05		RUBBER FOOT
J19-1653-23		HOLDER FOR CRT
J21-4782-14		BRACKET
J21-4784-13		BRACKET; CRT, FORWARD
J21-4785-03		BRACKET; CRT, BACKWARD
J42-0534-05		BUSHING
K01-0545-05		HANDLE
K21-0908-04		KNOB, SWEEP/INPUT
K23-0808-03		KNOB; 6 USED
K27-0504-04		BUTTON; POWER
K27-0590-04		PUSH BOTTON; GRAYWHITE
L01-9980-15		POWER TRANSFORMER
L37-0047-05		METER
L39-0531-05		ROTATION COIL

REF. NO	PARTS NO	NAME & DESCRIPTION
N09-0623-04		SCREW, SENS PAN HD M3X8
N09-0654-05		SCREW, SENS PAN HD M4X8
N09-0739-05		SCREW, SENS BINDING TAPTITE 3X8
N09-0748-04		SCREW, SENS PAN HD M4X12
N09-0777-05		SCREW, SENS PAN HD M4X6
N10-2030-41		NUT, HEX M3
N17-1030-41		LOCK WASHER M3
N19-0738-04		WASHER NONMETAL
N30-3010-41		SCREW, PAN HD M3X10
N32-3008-41		SCREW, FLAT HD M3X8
N32-3020-41		SCREW, FLAT HD M3X20
N88-3008-41		SCREW, FLAT HD TAPTITE 3X8
N89-3008-41		SCREW, BINDING TAPTITE 3X8
N89-3008-47		SCREW, BINDING TAPTITE 3X8
N89-3012-41		SCREW, BINDING TAPTITE 3X12
RD14BB2C181J		RES. CARBON 180 5% 1/6W
S40-1524-05		PUSH SWITCH, POWER
X66-1170-00		PANEL UNIT
X68-1620-00		POWER SUPPLY UNIT
X73-1910-00		FINAL AMP UNIT
X73-1960-00		INPUT AMP UNIT
X80-1320-00		LINE FILTER & CRT UNIT
X81-2970-00		DECODER UNIT
150FKM31T		CRT

CV-1255

Y71-1150-01

REF. NO	PARTS NO	NAME & DESCRIPTION
A01-1256-12		CASE, TOP
A01-1257-12		CASE, BOTTOM
A13-0982-03		FRAME; TOP, FOR MOLDED PANEL
A13-0983-13		FRAME; BOTTOM, FOR MOLDED PANEL
A13-0984-12		FRAME; RIGHT
A13-0985-12		FRAME; LEFT
A21-1190-14		DECORATIVE PANEL; POWER
A21-1199-14		DECORATIVE PANEL
A33-0502-05		REFLECTING PANEL (1)
A63-0047-21		MOLDED PANEL
A83-0029-12		REAR PANEL
B11-0536-14		FILTER
B30-0952-05		LAMP (T4.2 8V 0.15A)
B38-0411-05		ILLUMI LAMP ASS'Y
B41-0710-04		CAUTION LABEL; [HIGH VOLTAGE]
B42-3818-04		SERIAL NO. PLATE
B63-0076-00		INSTRUCTION MANUAL; ENG./JAP.
B73-0029-14		NAME PLATE; MODEL NO.
CC45CH1H101J		CAP. CERAMIC 100P 5% 50V
D19-0505-05		FLEXIBLE WIRE, FOR POWER SWITCH
D21-0931-03		EXTENSION SHAFT
E04-0263-05		BNC RECEPTACLE
E18-0365-05		AC SELECTOR WITH 6X30MM FUSE
E18-0366-15		AC SELECTOR WITH 5X20MM FUSE
E21-0667-05		METAL TERMINAL
E23-0546-24		EARTH PLATE
E23-0588-14		EARTH PLATE, ATTACHED TO BRACKE
E30-1644-15		BS POWER CORD
E30-1645-05		CEE POWER CODE SET
E30-1647-05		SAA POWER CORD SET
E30-1722-05		JIS POWER CORD SET
E30-2013-05		UL/CSA POWER CORD SET
E31-0564-15		WIRE ASS'Y; AC IN TO GND
E31-2382-05		WIRE ASS'Y; EARTH
E31-2687-05		WIRE ASS'Y;
E38-0503-05		WIRE ASS'Y; P5 TO P101
E38-0504-15		WIRE ASS'Y; P6 TO P209
E38-0505-15		WIRE ASS'Y; P5 TO P103
E38-0506-05		WIRE ASS'Y; P10 TO P16
E38-0507-05		WIRE ASS'Y; P11 TO P15
E38-0508-15		WIRE ASS'Y; P19 TO P212
E38-0509-15		WIRE ASS'Y;
E38-0510-05		WIRE ASS'Y; P204 TO P404
E38-0511-05		WIRE ASS'Y; P20 TO P113
E38-0512-05		WIRE ASS'Y; P18 TO P109
E38-0513-05		WIRE ASS'Y; P102 TO P111
E38-0515-05		WIRE ASS'Y; P203 TO P403
E38-0516-05		WIRE ASS'Y; P205 TO P405
E38-0517-05		WIRE ASS'Y; P21 TO P113
E38-0518-05		WIRE ASS'Y; P210 TO P309
F05-1023-05		FUSE (6X32MM) 1A/250V
F05-5013-05		FUSE (6X32MM) 0.5A/250V
F05-5016-05		FUSE (5X20MM) T500MA/250V
F10-1665-04		SHIELD PLATE

# PARTS LIST

REF. NO	PARTS NO	NAME & DESCRIPTION
F11-1206-13		SHIELD CASE,CRT
F11-1249-03		SHIELD CASE
F11-1250-04		SHIELD PLATE
F11-1252-04		SHIELD CASE;2
F11-1261-04		SHIELD,CRT
F15-0760-04		BLIND PLATE
F15-0763-04		FELT
F20-0698-03		INSULATOR
F20-0699-04		INSULATOR
F29-0508-05		CAP FOR BNC
G13-0737-14		CUSHION
G16-0609-04		RUBBER SHEET
H10-2862-02		FOAMED STYRENE PAD,FRONT
H10-2863-02		FOAMED STYRENE PAD,REAR
H20-1725-04		VINYL COVER
H53-0075-04		CARTON BOX
J02-0089-05		RUBBER FOOT
J19-1653-23		HOLDER FOR CRT
J21-4782-14		BRACKET
J21-4784-13		BRACKET;CRT,FORWARD
J21-4785-03		BRACKET;CRT,BACKWARD
J25-3000-05		P.C. BOARD (ILLUMI LAMP)
J42-0534-05		BUSHING
K01-0545-05		HANDLE
K21-0908-04		KNOB,SWEEP/INPUT
K23-0808-03		KNOB;6 USED
K27-0504-04		BUTTON;POWER
K27-0590-04		PUSH BOTTON;GRAYWHITE
L01-9980-15		POWER TRANSFORMER
L37-0047-05		METER
L39-0531-05		ROTATION COIL
N09-0623-04		SCREW,SEMS PAN HD M3X8
N09-0654-05		SCREW,SEMS PAN HD M4X8
N09-0739-05		SCREW,SEMS BINDING TAPTITE 3X8
N09-0748-04		SCREW,SEMS PAN HD M4X12
N09-0777-05		SCREW,SEMS PAN HD M4X6
N10-2030-41		NUT, HEX M3
N17-1030-41		LOCK WASHER M3
N19-0738-04		WASHER NONMETAL
N30-3010-41		SCREW, PAN HD M3X10
N32-3008-41		SCREW, FLAT HD M3X8
N32-3020-41		SCREW, FLAT HD M3X20
N88-3008-41		SCREW, FLAT HD TAPTITE 3X8
N89-3008-41		SCREW, BINDING TAPTITE 3X8
N89-3008-47		SCREW, BINDING TAPTITE 3X8
N89-3012-41		SCREW,BINDING TAPTITE 3X12
RD14BB2C181J		RES. CARBON 180 5% 1/6W
S40-1524-05		PUSH SWITCH,POWER
X66-1170-01		PANEL UNIT
X68-1620-00		POWER SUPPLY UNIT
X73-1910-00		FINAL AMP UNIT
X73-1960-01		INPUT AMP UNIT
X80-1320-00		LINE FILTER & CRT UNIT
X81-2970-01		DECODER UNIT
150FKM31T		CRT

## CV-1250 PANEL UNIT

### X66-1170-00

REF. NO	PARTS NO	NAME & DESCRIPTION
J39-0539-05		LED SPACER
J73-0059-03		PCB (UNMOUNTED)
C1	CF92V1H103J	CAP. POLYESTER 0.01 5% 50V
C2	CF92V1H103J	CAP. POLYESTER 0.01 5% 50V
C3	CM93BD2A151J	CAP. MICA 150P 5% 100V
C4	CF92V1H103J	CAP. POLYESTER 0.01 5% 50V
C5	CE04EW1C101M	CAP. ELECTRO 100 20% 16V
C6	CF92V1H103J	CAP. POLYESTER 0.01 5% 50V
C7	CF92V1H104J	CAP. POLYESTER 0.1 5% 50V
C8	CF92V1H103J	CAP. POLYESTER 0.01 5% 50V
C9	CF92V1H103J	CAP. POLYESTER 0.01 5% 50V
C101	CF92V1H104J	CAP. POLYESTER 0.1 5% 50V
C102	CF92V1H104J	CAP. POLYESTER 0.1 5% 50V
C103		NO USE
C104	CF92V1H103J	CAP. POLYESTER 0.01 5% 50V
C105	CF92V1H104J	CAP. POLYESTER 0.1 5% 50V
C106		NO USE
C107	CF92V1H103J	CAP. POLYESTER 0.01 5% 50V
C108	CF92V1H103J	CAP. POLYESTER 0.01 5% 50V
C109	CF92V1H103J	CAP. POLYESTER 0.01 5% 50V
C110	CF92V1H103J	CAP. POLYESTER 0.01 5% 50V
C111	CF92V1H103J	CAP. POLYESTER 0.01 5% 50V
C112	CF92V1H103J	CAP. POLYESTER 0.01 5% 50V

REF. NO	PARTS NO	NAME & DESCRIPTION
C113	CF92V1H103J	CAP. POLYESTER 0.01 5% 50V
C114	CF92V1H103J	CAP. POLYESTER 0.01 5% 50V
C115	CC45FCH1H050C	CAP. CERAMIC 5P 0.25P 50V
C116	CQ92FM1H103K	CAP. NYLAR 0.01 10% 50V
C117	CQ92FM1H103K	CAP. NYLAR 0.01 10% 50V
C118	CF92V1H104J	CAP. POLYESTER 0.1 5% 50V
C119	CM93BD2A331J	CAP. MICA 330P 5% 100V
C120	CC45FCH1H180J	CAP. CERAMIC 18P 5% 50V
C201	CE04EW1E330M	CAP. ELECTRO 33 20% 25V
C202	CE04EW1E330M	CAP. ELECTRO 33 20% 25V
C203	CE04EW1E330M	CAP. ELECTRO 33 20% 25V
C204	CE04EW1E330M	CAP. ELECTRO 33 20% 25V
C205	CE04EW1E330M	CAP. ELECTRO 33 20% 25V
C206	CE04EW1E330M	CAP. ELECTRO 33 20% 25V
C207	CE04EW1E330M	CAP. ELECTRO 33 20% 25V
C208	CE04EW1E330M	CAP. ELECTRO 33 20% 25V
C211	CQ92FM1H103K	CAP. NYLAR 0.01 10% 50V
C212	CQ92FM1H103K	CAP. NYLAR 0.01 10% 50V
C213	CE04EW1E330M	CAP. ELECTRO 33 20% 25V
C214	CE04EW1E330M	CAP. ELECTRO 33 20% 25V
C215	CQ92FM1H103K	CAP. NYLAR 0.01 10% 50V
C216	CQ92FM1H103K	CAP. NYLAR 0.01 10% 50V
C217	CQ92FM1H103K	CAP. NYLAR 0.01 10% 50V
C218	CQ92FM1H103K	CAP. NYLAR 0.01 10% 50V
C219	CE04EW1E330M	CAP. ELECTRO 33 20% 25V
C220	CE04EW1E330M	CAP. ELECTRO 33 20% 25V
C221	CQ92FM1H103K	CAP. NYLAR 0.01 10% 50V
C222	CQ92FM1H103K	CAP. NYLAR 0.01 10% 50V
C223	CQ92FM1H103K	CAP. NYLAR 0.01 10% 50V
C224	CQ92FM1H103K	CAP. NYLAR 0.01 10% 50V
C225	CQ92FM1H103K	CAP. NYLAR 0.01 10% 50V
C226	CQ92FM1H103K	CAP. NYLAR 0.01 10% 50V
C227	CQ92FM1H103K	CAP. NYLAR 0.01 10% 50V
D1	MTZ5.1JB	DIODE, ZENER 5.07V
D2	1SS132	DIODE
D3	B30-0957-05	LED (LN322GPT)
D101	MTZ5.1JB	DIODE, ZENER 5.07V
D102	1SS132	DIODE
D103	1SS132	DIODE
D104	1SS132	DIODE
L1	L79-0509-05	FILTER 3.58MH
L201	L79-0526-05	NOISE FILTER
L202	L79-0526-05	NOISE FILTER
L203	L79-0526-05	NOISE FILTER
L204	L79-0526-05	NOISE FILTER
P101	E40-3243-05	PIN CONNECTOR 8P
P102	E40-3240-05	PIN CONNECTOR 5P
P103	E40-3239-05	PIN CONNECTOR 4P
P104	E40-3239-05	PIN CONNECTOR 4P
P105		NO USE
P106	E40-3237-05	PIN CONNECTOR 2P
P107	E40-0473-05	PIN CONNECTOR 4P
P108	E40-3237-05	PIN CONNECTOR 2P
P109	E40-3237-05	PIN CONNECTOR 2P
P110	E40-3238-05	PIN CONNECTOR 3P
P111	E40-3240-05	PIN CONNECTOR 5P
P112	E40-3239-05	PIN CONNECTOR 4P
P113	E40-3237-05	PIN CONNECTOR 2P
Q1	2SA1175(F)	TR. SI, PNP
Q2	2SC2785(F)	TR. SI, NPN
Q3	2SC2785(F)	TR. SI, NPN
Q4	2SA1175(F)	TR. SI, PNP
Q5	2SA1175(F)	TR. SI, PNP
Q6	2SA1005(K)	TR. SI, PNP
Q7	2SC3354(S)	TR. SI, NPN
Q8	2SA1175(F)	TR. SI, PNP
Q9	2SC2785(F)	TR. SI, NPN
Q10	2SC2785(F)	TR. SI, NPN
Q11	2SA1175(F)	TR. SI, PNP
Q101	2SA1207(S)	TR. SI, PNP
Q102	2SC2785(F)	TR. SI, NPN
Q103	2SC2909(S)	TR. SI, NPN
Q104	2SA1175(F)	TR. SI, PNP
Q105	2SC3354(S)	TR. SI, NPN
Q106	2SA1005(K)	TR. SI, PNP
Q107	2SA1005(K)	TR. SI, PNP
Q108	2SC2785(F)	TR. SI, NPN
Q109	2SA1175(F)	TR. SI, PNP
Q110	2SC2785(F)	TR. SI, NPN

# PARTS LIST

REF. NO	PARTS NO	NAME & DESCRIPTION			
R1	RD14BB2C103J	RES. CARBON	10K	5%	1/6W
R2	RD14BB2C101J	RES. CARBON	100	5%	1/6W
R3	RD14BB2C330J	RES. CARBON	33	5%	1/6W
R4	RD14BB2C332J	RES. CARBON	3.3K	5%	1/6W
R5	RD14BB2C330J	RES. CARBON	33	5%	1/6W
R6	RD14BB2C332J	RES. CARBON	3.3K	5%	1/6W
R7	RD14BB2C100J	RES. CARBON	10	5%	1/6W
R8	RD14BB2C100J	RES. CARBON	10	5%	1/6W
R9	RD14BB2C302J	RES. CARBON	3K	5%	1/6W
R10	RD14BB2C300J	RES. CARBON	30	5%	1/6W
R11	RD14BB2C470J	RES. CARBON	47	5%	1/6W
R12	RD14BB2C472J	RES. CARBON	4.7K	5%	1/6W
R13	RD14BB2C222J	RES. CARBON	2.2K	5%	1/6W
R14	RD14BB2C302J	RES. CARBON	3K	5%	1/6W
R15	RD14BB2C101J	RES. CARBON	100	5%	1/6W
R16	RN14BK2C1002F	RES. METAL FILM	10K	1%	1/6W
R17	RD14BB2C302J	RES. CARBON	3K	5%	1/6W
R18	RD14BB2C103J	RES. CARBON	10K	5%	1/6W
R19	RD14BB2C105J	RES. CARBON	1M	5%	1/6W
R20	RN14BK2C1001F	RES. METAL FILM	1K	1%	1/6W
R21	RN14BK2C1001F	RES. METAL FILM	1K	1%	1/6W
R22	RD14BB2C101J	RES. CARBON	100	5%	1/6W
R23	RD14BB2C101J	RES. CARBON	100	5%	1/6W
R24	RD14BB2C302J	RES. CARBON	3K	5%	1/6W
R25	RD14BB2C302J	RES. CARBON	3K	5%	1/6W
R26	RD14BB2C101J	RES. CARBON	100	5%	1/6W
R27	RD14BB2C101J	RES. CARBON	100	5%	1/6W
R101	RD14BB2C103J	RES. CARBON	10K	5%	1/6W
R102	RD14BB2C101J	RES. CARBON	100	5%	1/6W
R103	RD14BB2C202J	RES. CARBON	2K	5%	1/6W
R104	RN14BK2C18R0F	RES. METAL FILM	18.0	1%	1/6W
R105	RD14BB2C101J	RES. CARBON	100	5%	1/6W
R106	RD14BB2C302J	RES. CARBON	3K	5%	1/6W
R107	RD14BB2C101J	RES. CARBON	100	5%	1/6W
R108	RD14BB2C202J	RES. CARBON	2K	5%	1/6W
R109	RN14BK2C2000F	RES. METAL FILM	200	1%	1/6W
R110	RN14BK2C1000F	RES. METAL FILM	100	1%	1/6W
R111	RN14BK2C1000F	RES. METAL FILM	100	1%	1/6W
R112	RD14BB2C101J	RES. CARBON	100	5%	1/6W
R113	RD14BB2C302J	RES. CARBON	3K	5%	1/6W
R114	RD14BB2C101J	RES. CARBON	100	5%	1/6W
R115	RN14BK2C1001F	RES. METAL FILM	1K	1%	1/6W
R116	RN14BK2C3001F	RES. METAL FILM	3K	1%	1/6W
R117	RN14BK2C7500F	RES. METAL FILM	750	1%	1/6W
R118	RN14BK2C1200F	RES. METAL FILM	120	1%	1/6W
R119	RN14BK2C1501F	RES. METAL FILM	1.5K	1%	1/6W
R120	RN14BK2C1110F	RES. METAL FILM	111	1%	1/6W
R121	RD14BB2C223J	RES. CARBON	22K	5%	1/6W
R122	RD14BB2C101J	RES. CARBON	100	5%	1/6W
R123	RD14BB2C242J	RES. CARBON	2.4K	5%	1/6W
R124	RD14BB2C621J	RES. CARBON	620	5%	1/6W
R125	RD14BB2C562J	RES. CARBON	5.6K	5%	1/6W
R126	RD14BB2C622J	RES. CARBON	6.2K	5%	1/6W
R127	RN14BK2C1301F	RES. METAL FILM	1.3K	1%	1/6W
R128	RN14BK2C4701F	RES. METAL FILM	4.7K	1%	1/6W
R129	RD14BB2C302J	RES. CARBON	3K	5%	1/6W
R130	RN14BK2C2201F	RES. METAL FILM	2.2K	1%	1/6W
R131	RD14BB2C100J	RES. CARBON	10	5%	1/6W
R132	RD14BB2C100J	RES. CARBON	10	5%	1/6W
R133	RD14BB2C122J	RES. CARBON	1.2K	5%	1/6W
R134	RD14BB2C103J	RES. CARBON	10K	5%	1/6W
R135	RD14BB2C103J	RES. CARBON	10K	5%	1/6W
R136	RD14BB2C103J	RES. CARBON	10K	5%	1/6W
R137	RD14BB2C100J	RES. CARBON	10	5%	1/6W
R138	RN14BK2C1113F	RES. METAL FILM	111K	1%	1/6W
R139	RD14BB2C100J	RES. CARBON	10	5%	1/6W
R140	NO USE				
R141	RD14BB2C302J	RES. CARBON	3K	5%	1/6W
R142	RD14BB2C163J	RES. CARBON	16K	5%	1/6W
S1	S68-0607-05	PUSH SWITCH			
S2	S42-3516-05	PUSH SWITCH			
S3	S42-1502-05	PUSH SWITCH			
S4	S42-1502-05	PUSH SWITCH			
S5	S42-1502-05	PUSH SWITCH			
S6	S42-1502-05	PUSH SWITCH			
S7	S42-1502-05	PUSH SWITCH			
U101	NJN2233BD	IC,2-INPUT SINGLE VIDEO SWITCH			
U102	NJN2233BD	IC,2-INPUT SINGLE VIDEO SWITCH			
U103	NJN2233BD	IC,2-INPUT SINGLE VIDEO SWITCH			
VR1	R05-0505-05	V. R.	200 B		
VR2	R01-3526-05	V. R.	10KB		
VR3	R01-3526-05	V. R.	10KB		
W101	E38-0494-05	WIRE ASS'Y;GAIN VR			

## CV-1255 PANEL UNIT

### X66-1170-01

REF. NO	PARTS NO	NAME & DESCRIPTION			
	J39-0539-05	LED SPACER			
	J73-0059-03	PCB (UNMOUNTED)			
C1	CF92V1H103J	CAP. POLYESTER	0.01	5%	50V
C2	CF92V1H103J	CAP. POLYESTER	0.01	5%	50V
C3	CM93BD2A820J	CAP. MICA	82P	5%	100V
C4	CF92V1H103J	CAP. POLYESTER	0.01	5%	50V
C5	CE04EW1C101M	CAP. ELECTRO	100	20%	16V
C6	CF92V1H103J	CAP. POLYESTER	0.01	5%	50V
C7	CF92V1H104J	CAP. POLYESTER	0.1	5%	50V
C8	CF92V1H103J	CAP. POLYESTER	0.01	5%	50V
C9	CF92V1H103J	CAP. POLYESTER	0.01	5%	50V
C101	CF92V1H104J	CAP. POLYESTER	0.1	5%	50V
C102	CF92V1H104J	CAP. POLYESTER	0.1	5%	50V
C103	NO USE				
C104	CF92V1H103J	CAP. POLYESTER	0.01	5%	50V
C105	CF92V1H104J	CAP. POLYESTER	0.1	5%	50V
C106	NO USE				
C107	CF92V1H103J	CAP. POLYESTER	0.01	5%	50V
C108	CF92V1H103J	CAP. POLYESTER	0.01	5%	50V
C109	CF92V1H103J	CAP. POLYESTER	0.01	5%	50V
C110	CF92V1H103J	CAP. POLYESTER	0.01	5%	50V
C111	CF92V1H103J	CAP. POLYESTER	0.01	5%	50V
C112	CF92V1H103J	CAP. POLYESTER	0.01	5%	50V
C113	CF92V1H103J	CAP. POLYESTER	0.01	5%	50V
C114	CF92V1H103J	CAP. POLYESTER	0.01	5%	50V
C115	CC45FCH1H050C	CAP. CERAMIC	5P	0.25P	50V
C116	CQ92FM1H103K	CAP. NYLAR	0.01	10%	50V
C117	CQ92FM1H103K	CAP. NYLAR	0.01	10%	50V
C118	CF92V1H104J	CAP. POLYESTER	0.1	5%	50V
C119	CM93BD2A331J	CAP. MICA	330P	5%	100V
C120	CC45FCH1H180J	CAP. CERAMIC	18P	5%	50V
C201	CE04EW1E330M	CAP. ELECTRO	33	20%	25V
C202	CE04EW1E330M	CAP. ELECTRO	33	20%	25V
C203	CE04EW1E330M	CAP. ELECTRO	33	20%	25V
C204	CE04EW1E330M	CAP. ELECTRO	33	20%	25V
C205	CE04EW1E330M	CAP. ELECTRO	33	20%	25V
C206	CE04EW1E330M	CAP. ELECTRO	33	20%	25V
C207	CE04EW1E330M	CAP. ELECTRO	33	20%	25V
C208	CE04EW1E330M	CAP. ELECTRO	33	20%	25V
C211	CQ92FM1H103K	CAP. NYLAR	0.01	10%	50V
C212	CQ92FM1H103K	CAP. NYLAR	0.01	10%	50V
C213	CE04EW1E330M	CAP. ELECTRO	33	20%	25V
C214	CE04EW1E330M	CAP. ELECTRO	33	20%	25V
C215	CQ92FM1H103K	CAP. NYLAR	0.01	10%	50V
C216	CQ92FM1H103K	CAP. NYLAR	0.01	10%	50V
C217	CQ92FM1H103K	CAP. NYLAR	0.01	10%	50V
C218	CQ92FM1H103K	CAP. NYLAR	0.01	10%	50V
C219	CE04EW1E330M	CAP. ELECTRO	33	20%	25V
C220	CE04EW1E330M	CAP. ELECTRO	33	20%	25V
C221	CQ92FM1H103K	CAP. NYLAR	0.01	10%	50V
C222	CQ92FM1H103K	CAP. NYLAR	0.01	10%	50V
C223	CQ92FM1H103K	CAP. NYLAR	0.01	10%	50V
C224	CQ92FM1H103K	CAP. NYLAR	0.01	10%	50V
C225	CQ92FM1H103K	CAP. NYLAR	0.01	10%	50V
C226	CQ92FM1H103K	CAP. NYLAR	0.01	10%	50V
C227	CQ92FM1H103K	CAP. NYLAR	0.01	10%	50V
D1	MTZ5.1JB	DIODE, ZENER	5.07V		
D2	1SS132	DIODE			
D3	B30-0957-05	LED (LN322GPT)			
D101	MTZ5.1JB	DIODE, ZENER	5.07V		
D102	1SS132	DIODE			
D103	1SS132	DIODE			
D104	1SS132	DIODE			
L1	L79-0559-05	FILTER	4.43MHZ		
L201	L79-0526-05	NOISE FILTER			
L202	L79-0526-05	NOISE FILTER			
L203	L79-0526-05	NOISE FILTER			
L204	L79-0526-05	NOISE FILTER			
P101	E40-3243-05	PIN CONNECTOR	8P		
P102	E40-3240-05	PIN CONNECTOR	5P		
P103	E40-3239-05	PIN CONNECTOR	4P		
P104	E40-3239-05	PIN CONNECTOR	4P		
P105	NO USE				
P106	E40-3237-05	PIN CONNECTOR	2P		
P107	E40-0473-05	PIN CONNECTOR	4P		



# PARTS LIST

REF.NO	PARTS NO	NAME & DESCRIPTION
P108	E40-3237-05	PIN CONNECTOR 2P
P109	E40-3237-05	PIN CONNECTOR 2P
P110	E40-3238-05	PIN CONNECTOR 3P
P111	E40-3240-05	PIN CONNECTOR 5P
P112	E40-3239-05	PIN CONNECTOR 4P
P113	E40-3237-05	PIN CONNECTOR 2P

Q1	2SA1175(F)	TR. SI, PNP
Q2	2SC2785(F)	TR. SI, NPN
Q3	2SC2785(F)	TR. SI, NPN
Q4	2SA1175(F)	TR. SI, PNP
Q5	2SA1175(F)	TR. SI, PNP
Q6	2SA1005(K)	TR. SI, PNP
Q7	2SC3354(K)	TR. SI, NPN
Q8	2SA1175(F)	TR. SI, PNP
Q9	2SC2785(F)	TR. SI, NPN
Q10	2SC2785(F)	TR. SI, NPN
Q11	2SA1175(F)	TR. SI, PNP

Q101	2SA1207(S)	TR. SI, PNP
Q102	2SC2785(F)	TR. SI, NPN
Q103	2SC2909(S)	TR. SI, NPN
Q104	2SA1175(F)	TR. SI, PNP
Q105	2SC3354(S)	TR. SI, NPN
Q106	2SA1005(K)	TR. SI, PNP
Q107	2SA1005(K)	TR. SI, PNP
Q108	2SC2785(F)	TR. SI, NPN
Q109	2SA1175(F)	TR. SI, PNP
Q110	2SC2785(F)	TR. SI, NPN

R1	RD14BB2C103J	RES. CARBON	10K	5%	1/6W
R2	RD14BB2C101J	RES. CARBON	100	5%	1/6W
R3	RD14BB2C330J	RES. CARBON	33	5%	1/6W
R4	RD14BB2C332J	RES. CARBON	3.3K	5%	1/6W
R5	RD14BB2C330J	RES. CARBON	33	5%	1/6W
R6	RD14BB2C332J	RES. CARBON	3.3K	5%	1/6W
R7	RD14BB2C100J	RES. CARBON	10	5%	1/6W
R8	RD14BB2C100J	RES. CARBON	10	5%	1/6W
R9	RD14BB2C302J	RES. CARBON	3K	5%	1/6W
R10	RD14BB2C300J	RES. CARBON	30	5%	1/6W
R11	RD14BB2C470J	RES. CARBON	47	5%	1/6W
R12	RD14BB2C472J	RES. CARBON	4.7K	5%	1/6W
R13	RD14BB2C222J	RES. CARBON	2.2K	5%	1/6W
R14	RD14BB2C302J	RES. CARBON	3K	5%	1/6W
R15	RD14BB2C101J	RES. CARBON	100	5%	1/6W
R16	RN14BK2C1002F	RES. METAL FILM	10K	1%	1/6W
R17	RD14BB2C302J	RES. CARBON	3K	5%	1/6W
R18	RD14BB2C103J	RES. CARBON	10K	5%	1/6W
R19	RD14BB2C105J	RES. CARBON	1M	5%	1/6W
R20	RN14BK2C1001F	RES. METAL FILM	1K	1%	1/6W
R21	RN14BK2C1001F	RES. METAL FILM	1K	1%	1/6W
R22	RD14BB2C101J	RES. CARBON	100	5%	1/6W
R23	RD14BB2C101J	RES. CARBON	100	5%	1/6W
R24	RD14BB2C302J	RES. CARBON	3K	5%	1/6W
R25	RD14BB2C302J	RES. CARBON	3K	5%	1/6W
R26	RD14BB2C101J	RES. CARBON	100	5%	1/6W
R27	RD14BB2C101J	RES. CARBON	100	5%	1/6W

R101	RD14BB2C103J	RES. CARBON	10K	5%	1/6W
R102	RD14BB2C101J	RES. CARBON	100	5%	1/6W
R103	RD14BB2C202J	RES. CARBON	2K	5%	1/6W
R104	RN14BK2C18R0F	RES. METAL FILM	18.0	1%	1/6W
R105	RD14BB2C101J	RES. CARBON	100	5%	1/6W
R106	RD14BB2C302J	RES. CARBON	3K	5%	1/6W
R107	RD14BB2C101J	RES. CARBON	100	5%	1/6W
R108	RD14BB2C202J	RES. CARBON	2K	5%	1/6W
R109	RN14BK2C2000F	RES. METAL FILM	200	1%	1/6W
R110	RN14BK2C1000F	RES. METAL FILM	100	1%	1/6W
R111	RN14BK2C1000F	RES. METAL FILM	100	1%	1/6W
R112	RD14BB2C101J	RES. CARBON	100	5%	1/6W
R113	RD14BB2C302J	RES. CARBON	3K	5%	1/6W
R114	RD14BB2C101J	RES. CARBON	100	5%	1/6W
R115	RN14BK2C1001F	RES. METAL FILM	1K	1%	1/6W
R116	RN14BK2C3001F	RES. METAL FILM	3K	1%	1/6W
R117	RN14BK2C7500F	RES. METAL FILM	750	1%	1/6W
R118	RN14BK2C1200F	RES. METAL FILM	120	1%	1/6W
R119	RN14BK2C1501F	RES. METAL FILM	1.5K	1%	1/6W
R120	RN14BK2C1101F	RES. METAL FILM	1.1K	1%	1/6W
R121	RD14BB2C223J	RES. CARBON	22K	5%	1/6W
R122	RD14BB2C101J	RES. CARBON	100	5%	1/6W
R123	RD14BB2C242J	RES. CARBON	2.4K	5%	1/6W
R124	RD14BB2C621J	RES. CARBON	620	5%	1/6W
R125	RD14BB2C562J	RES. CARBON	5.6K	5%	1/6W
R126	RD14BB2C622J	RES. CARBON	6.2K	5%	1/6W
R127	RN14BK2C1301F	RES. METAL FILM	1.3K	1%	1/6W
R128	RN14BK2C4701F	RES. METAL FILM	4.7K	1%	1/6W
R129	RD14BB2C302J	RES. CARBON	3K	5%	1/6W
R130	RN14BK2C2201F	RES. METAL FILM	2.2K	1%	1/6W

REF.NO	PARTS NO	NAME & DESCRIPTION
R131	RD14BB2C100J	RES. CARBON 10 5% 1/6W
R132	RD14BB2C100J	RES. CARBON 10 5% 1/6W
R133	RD14BB2C122J	RES. CARBON 1.2K 5% 1/6W
R134	RD14BB2C103J	RES. CARBON 10K 5% 1/6W
R135	RD14BB2C103J	RES. CARBON 10K 5% 1/6W
R136	RD14BB2C103J	RES. CARBON 10K 5% 1/6W
R137	RD14BB2C100J	RES. CARBON 10 5% 1/6W
R138	RN14BK2C1113F	RES. METAL FILM 111K 1% 1/6W
R139	RD14BB2C100J	RES. CARBON 10 5% 1/6W
R140	NO USE	
R141	RD14BB2C302J	RES. CARBON 3K 5% 1/6W
R142	RD14BB2C163J	RES. CARBON 16K 5% 1/6W

S1	S68-0607-05	PUSH SWITCH
S2	S42-3516-05	PUSH SWITCH
S3	S42-1502-05	PUSH SWITCH
S4	S42-1502-05	PUSH SWITCH
S5	S42-1502-05	PUSH SWITCH
S6	S42-1502-05	PUSH SWITCH
S7	S42-1502-05	PUSH SWITCH

U101	NJM2233BD	IC,2-INPUT SINGLE VIDEO SWITCH
U102	NJM2233BD	IC,2-INPUT SINGLE VIDEO SWITCH
U103	NJM2233BD	IC,2-INPUT SINGLE VIDEO SWITCH

VR1	R05-0505-05	V. R.	200 B
VR2	R01-3526-05	V. R.	10KB
VR3	R01-3526-05	V. R.	10KB

W101	E38-0494-05	WIRE ASS'Y;GAIN VR
------	-------------	--------------------

## POWER SUPPLY UNIT

### X68-1620-00

REF.NO	PARTS NO	NAME & DESCRIPTION
	F01-0835-05	HEAT SINK;23.4X40X17
	F01-0893-04	HEAT SINK;101X43
	F10-1601-04	SHIELD PLATE
	F15-0727-04	HOLDER (NEON LAMP)
	J73-0058-02	PCB (UNMOUNTED)
	N09-0623-04	SCREW,SENS PAN HD M3X8
	N09-0731-05	SCREW,SENS PAN HD M3X12
	N14-0638-04	PLATE NUT;3-M3
C1	CE04W2E470H	CAP. ELECTRO 47 20% 250V
C2	CC45FCH1H470J	CAP. CERAMIC 47P 5% 50V
C3	CE04W2E4R7M	CAP. ELECTRO 4.7 20% 250V
C4	CK45FB2H472K	CAP. CERAMIC 4700P 10% 500V
C5	C90-3070-05	CAP. ELECTRO 390 20% 160V
C6	CC45FCH1H470J	CAP. CERAMIC 47P 5% 50V
C7	CE04EW2A220M	CAP. ELECTRO 22 20% 100V
C8	CK45FB2H472K	CAP. CERAMIC 4700P 10% 500V
C9	C90-3069-05	CAP. ELECTRO 5600 20% 35V
C10	CE04EW1E221M	CAP. ELECTRO 220 20% 25V
C11	CQ92FM1H104K	CAP. NYLAR 0.1 10% 50V
C12	C90-3069-05	CAP. ELECTRO 5600 20% 35V
C13	CE04EW1C101M	CAP. ELECTRO 100 20% 16V
C14	CE04EW1E221M	CAP. ELECTRO 220 20% 25V
C15	CQ92FM1H104K	CAP. NYLAR 0.1 10% 50V
C16	C90-3068-05	CAP. ELECTRO 8200 20 10V
C17	CE04EW1C101M	CAP. ELECTRO 100 20% 16V
C18	CQ92FM1H104K	CAP. NYLAR 0.1 10% 50V
C19	CK45B2H472K	CAP. CERAMIC 4700P 10% 500V
C20	CK45B2H472K	CAP. CERAMIC 4700P 10% 500V
C101	CF92V1H224J	CAP. POLYESTER 0.22 5% 50V
C102	CF92V1H224J	CAP. POLYESTER 0.22 5% 50V
C103	CQ92FM1H222K	CAP. NYLAR 2200P 10% 50V
C104	CQ92FM1H103K	CAP. NYLAR 0.01 10% 50V
C105	CK45E3F102P	CAP. CERAMIC 1000P 3.15KV
C106	NO USE	
C107	CF92V1H472J	CAP. POLYESTER 4700P 5% 50V
C108	CE04EW1V221M	CAP. ELECTRO 220 20% 35V
C109	CE04EW1V221M	CAP. ELECTRO 220 20% 35V
C110	CE04EW1V221M	CAP. ELECTRO 220 20% 35V
C111	CE04EW1V221M	CAP. ELECTRO 220 20% 35V
C112	CQ92FM1H103K	CAP. NYLAR 0.01 10% 50V
C113	CQ92FM1H103K	CAP. NYLAR 0.01 10% 50V
C114	CE04W2E2R2M	CAP. ELECTRO 2.2 20% 250V
C115	NO USE	
C116	CK45FB2H472K	CAP. CERAMIC 4700P 10% 500V
C117	CC45FCH2H010C	CAP. CERAMIC 1P 0.25P 500V
C118	CK45FB2H472K	CAP. CERAMIC 4700P 10% 500V
C119	CE04EW1E330M	CAP. ELECTRO 33 20% 25V
C120	CE04W2E2R2M	CAP. ELECTRO 2.2 20% 250V

# PARTS LIST

REF. NO	PARTS NO	NAME & DESCRIPTION				REF. NO	PARTS NO	NAME & DESCRIPTION			
C121	CE04W2E2R2H	CAP. ELECTRO	2.2	20%	250V	R1	RD14BB2E163J	RES. CARBON	16K	5%	1/4W
C122	CK45E3D103P	CAP. CERAMIC	0.01		2KV	R2	RD14BB2C102J	RES. CARBON	1K	5%	1/6W
C123	CK45E3D103P	CAP. CERAMIC	0.01		2KV	R3	RD14BB2C102J	RES. CARBON	1K	5%	1/6W
C124	CK45FB2H102K	CAP. CERAMIC	1000P	10%	500V	R4	RD14BB2C102J	RES. CARBON	1K	5%	1/6W
C125	CC45FCH2H020C	CAP. CERAMIC	2P	0.25P	500V	R5	RN14BK2C1503F	RES. METAL FILM	150K	1%	1/6W
C126	CC45FCH2H010C	CAP. CERAMIC	1P	0.25P	500V	R6	RN14BK2C1302F	RES. METAL FILM	13K	1%	1/6W
C127	CK45FB2H472K	CAP. CERAMIC	4700P	10%	500V	R7	RD14BB2C123J	RES. CARBON	12K	5%	1/6W
C128	CE04EW1E101M	CAP. ELECTRO	100	20%	25V	R8	RD14BB2E362J	RES. CARBON	3.6K	5%	1/4W
C129	CE04EW1E330X	CAP. ELECTRO	33	20%	25V	R9	RD14BB2C102J	RES. CARBON	1K	5%	1/6W
C130	CK45E3D103P	CAP. CERAMIC	0.01		2KV	R10	RD14BB2C102J	RES. CARBON	1K	5%	1/6W
C131	CK45E3D103P	CAP. CERAMIC	0.01		2KV	R11	RD14BB2C102J	RES. CARBON	1K	5%	1/6W
C132	CK45E3D103P	CAP. CERAMIC	0.01		2KV	R12	RN14BK2C7502F	RES. METAL FILM	75K	1%	1/6W
C133	CK45FB2H102K	CAP. CERAMIC	1000P	10%	500V	R13	RN14BK2C1302F	RES. METAL FILM	13K	1%	1/6W
C134	CC45SL2H101J	CAP. CERAMIC	100P	5%	500V	R14	RD14BB2C113J	RES. CARBON	11K	5%	1/6W
C135	CK45E3D103P	CAP. CERAMIC	0.01		2KV	R15	R92-1478-05	RES. SPECIAL POWER			
C136	CK45E3D103P	CAP. CERAMIC	0.01		2KV	R16	RD14BB2C221J	RES. CARBON	220	5%	1/6W
C137	CK45E3D103P	CAP. CERAMIC	0.01		2KV	R17	RD14BB2C912J	RES. CARBON	9.1K	5%	1/6W
C138	CQ92FH1H103K	CAP. MYLAR	0.01	10%	50V	R18	RN14BK2C1802F	RES. METAL FILM	18K	1%	1/6W
C139	CC45FSL1H331J	CAP. CERAMIC	330P	5%	50V	R19	RN14BK2C1802F	RES. METAL FILM	18K	1%	1/6W
C140	CQ92FH1H102K	CAP. MYLAR	1000P	10%	50V	R20	R92-1478-05	RES. SPECIAL POWER			
D1	1J4B42	DIODE, BRIDGE				R21	RD14BB2C221J	RES. CARBON	220	5%	1/6W
D2	1SS132	DIODE				R22	RN14BK2C6801F	RES. METAL FILM	6.8K	1%	1/6W
D3	R92-1061-05	JUMPING RES.	ZERO	OHM	(5M)	R23	RN14BK2C4701F	RES. METAL FILM	4.7K	1%	1/6W
D4	1SS132	DIODE				R24	RD14BB2C302J	RES. CARBON	3K	5%	1/6W
D5	S4VB20F1	DIODE, BRIDGE				R25	RD14BB2C132J	RES. CARBON	1.3K	5%	1/6W
D6	MTZ16JA	DIODE, ZENER	9.6V			R26	NO USE				
D7	MTZ16JA	DIODE, ZENER	9.6V			R27	RD14BB2C221J	RES. CARBON	220	5%	1/6W
D8	MTZ5.1JB	DIODE, ZENER	5.07V			R28	RD14BB2C562J	RES. CARBON	5.6K	5%	1/6W
D9	S4VB20F1	DIODE, BRIDGE				R29	RN14BK2C7501F	RES. METAL FILM	7.5K	1%	1/6W
D10	MTZ7.5JA	DIODE, ZENER	7.04V			R30	RN14BK2C1802F	RES. METAL FILM	18K	1%	1/6W
D101	1SS132	DIODE				R101	RN14BK2C1203F	RES. METAL FILM	120K	1%	1/6W
D102	1SS132	DIODE				R102	RD14BB2C124J	RES. CARBON	120K	5%	1/6W
D103	1SS132	DIODE				R103	RD14BB2C102J	RES. CARBON	1K	5%	1/6W
D104	1SS83	DIODE				R104	RD14BB2C102J	RES. CARBON	1K	5%	1/6W
D105	1SS83	DIODE				R105	RD14BB2C562J	RES. CARBON	5.6K	5%	1/6W
D106	1SR35-200A	DIODE				R106	RD14BB2C511J	RES. CARBON	510	5%	1/6W
D107	1SR35-200A	DIODE				R107	R92-1125-05	RES. METAL FILM	7.5M	1%	1W
D108	1SS83	DIODE				R108	R92-1125-05	RES. METAL FILM	7.5M	1%	1W
D109	1SS83	DIODE				R109	RD14BB2C753J	RES. CARBON	75K	5%	1/6W
D110	1SR35-200A	DIODE				R110	RD14BB2C513J	RES. CARBON	51K	5%	1/6W
D111	1SR35-200A	DIODE				R111	RD14BB2C302J	RES. CARBON	3K	5%	1/6W
D112	1SS132	DIODE				R112	RD14BB2C153J	RES. CARBON	15K	5%	1/6W
L101	L40-1021-03	FERRI INDUCTOR	1MH	10%		R113	RD14BB2C913J	RES. CARBON	91K	5%	1/6W
L102	L40-1011-03	FERRI INDUCTOR	100UH	10%		R116	RN14BK2C1202F	RES. METAL FILM	12K	1%	1/6W
L103	L40-1011-03	FERRI INDUCTOR	100UH	10%		R117	RD14BB2C220J	RES. CARBON	22	5%	1/6W
NL101	NE-2B	NEON LAMP				R118	RN14BK2C7501F	RES. METAL FILM	7.5K	1%	1/6W
NL102	NE-2B	NEON LAMP				R119	RN14BK2E6202F	RES. METAL FILM	62K	1%	1/4W
NL103	NE-2B	NEON LAMP				R120	RD14BB2C472J	RES. CARBON	4.7K	5%	1/6W
NL104	NE-2B	NEON LAMP				R121	RD14BB2C134J	RES. CARBON	130K	5%	1/6W
P201	E40-5070-05	PIN CONNECTOR	13P			R122	RD14BB2C102J	RES. CARBON	1K	5%	1/6W
P202	NO USE					R123	RD14BB2C470J	RES. CARBON	47	5%	1/6W
P203	E40-3237-05	PIN CONNECTOR	2P			R124	NO USE				
P204	E40-3239-05	PIN CONNECTOR	4P			R125	RD14BB2C104J	RES. CARBON	100K	5%	1/6W
P205	E40-3240-05	PIN CONNECTOR	5P			R126	RD14BB2C334J	RES. CARBON	330K	5%	1/6W
P206	E40-3238-05	PIN CONNECTOR	3P			R127	R92-1034-05	RES. METAL FILM	47M	5%	1/2W
P207	E40-4235-05	PIN CONNECTOR	6P			R128	RD14BB2C114J	RES. CARBON	110K	5%	1/6W
P208	E40-3238-05	PIN CONNECTOR	3P			R129	RD14BB2C753J	RES. CARBON	75K	5%	1/6W
P209	E40-3239-05	PIN CONNECTOR	4P			R130	RD14BB2C113J	RES. CARBON	11K	5%	1/6W
P210	E40-3239-05	PIN CONNECTOR	4P			R131	RD14BB2C102J	RES. CARBON	1K	5%	1/6W
P211	E40-3237-05	PIN CONNECTOR	2P			R132	RD14BB2C472J	RES. CARBON	4.7K	5%	1/6W
P212	E40-3237-05	PIN CONNECTOR	2P			R133	RD14BB2C134J	RES. CARBON	130K	5%	1/6W
Q1	2SD1409	TR. SI, NPN				R134	RD14BB2C470J	RES. CARBON	47	5%	1/6W
Q2	2SC2271(D,E)	TR. SI, NPN				R135	R92-1034-05	RES. METAL FILM	47M	5%	1/2W
Q3	2SD1409	TR. SI, NPN				R136	R92-1193-05	RES. METAL FILM	8.2M	5%	1W
Q4	2SC2271(D,E)	TR. SI, NPN				R137	R92-1153-05	RES. METAL FILM	5.1M	5%	1W
Q5	2SB1133(S)	TR. SI, PNP				R138	RD14BB2C222J	RES. CARBON	2.2K	5%	1/6W
Q6	2SD1666(S)	TR. SI, NPN				R139	RD14BB2C473J	RES. CARBON	47K	5%	1/6W
Q7	2SB1133(S)	TR. SI, PNP				R140	E31-2170-05	JUMPING WIRE			
Q101	2SA1175(F)	TR. SI, PNP				R141	RD14BB2C334J	RES. CARBON	330K	5%	1/6W
Q102	2SD613(E)	TR. SI, NPN				R142	RN14BK2C1004F	RES. METAL FILM	1M	1%	1/6W
Q103	2SC2271(D,E)	TR. SI, NPN				R143	RD14BB2C104J	RES. CARBON	100K	5%	1/6W
Q104	2SC3787(S)	TR. SI, NPN				R144	RN14BK2C1000F	RES. METAL FILM	100	1%	1/6W
Q105	2SA1477(S)	TR. SI, PNP				R145	RN14BK2C1000F	RES. METAL FILM	100	1%	1/6W
Q106	2SC3787(S)	TR. SI, NPN				R146	RD14BB2C101J	RES. CARBON	100	5%	1/6W
Q107	2SA1477(S)	TR. SI, PNP				R147	RD14BB2C101J	RES. CARBON	100	5%	1/6W
Q108	2SC3354(S)	TR. SI, NPN				R148	RN14BK2C1601F	RES. METAL FILM	1.6K	1%	1/6W
Q109	2SK332(E,F)	FET, N-CHANNEL				R149	RN14BK2C6801F	RES. METAL FILM	6.8K	1%	1/6W
Q110	2SC2785(F)	TR. SI, NPN				R150	RD14BB2C223J	RES. CARBON	22K	5%	1/6W
Q111	2SC2785(F)	TR. SI, NPN				R151	RN14BK2E7502F	RES. METAL FILM	75K	1%	1/4W
Q112	2SA1175(F)	TR. SI, PNP				R152	RD14BB2C562J	RES. CARBON	5.6K	5%	1/6W
						R153	RD14BB2C913J	RES. CARBON	91K	5%	1/6W
						R154	RD14BB2C394J	RES. CARBON	390K	5%	1/6W
U1	NJM4556S	IC, DUAL OP AMP				U1	NJM4556S	IC, DUAL OP AMP			
U2	NJM4556S	IC, DUAL OP AMP				U2	NJM4556S	IC, DUAL OP AMP			
U3	NJM4556S	IC, DUAL OP AMP				U3	NJM4556S	IC, DUAL OP AMP			

# PARTS LIST

REF. NO	PARTS NO	NAME & DESCRIPTION
U101	NJH4558D	IC, DUAL OP AMP
VR1	R12-1543-05	RES. SEMI FIXED 1KB
VR101	R12-5530-05	RES. SEMI FIXED 100KB
VR102	R12-8501-05	RES. SEMI FIXED 2.2MB
W101	W02-0431-25	HIGH VOLTAGE BLOCK

## FINAL UNIT

### X73-1910-00

REF. NO	PARTS NO	NAME & DESCRIPTION
	F01-0859-14	HEAT SINK
	J73-0060-02	PCB (UNMOUNTED)
	N09-0623-04	SCREW, SEMS PAN HD M3X8
C8	CC45FCH1H010C	CAP. CERAMIC 1P 0.25P 50V
C105	CQ92FM1H103K	CAP. NYLAR 0.01 10% 50V
C106	CQ92FM1H103K	CAP. NYLAR 0.01 10% 50V
C107	CK45FB2H472K	CAP. CERAMIC 4700P 10% 500V
C108	CK45FB2H472K	CAP. CERAMIC 4700P 10% 500V
C109	CQ92FM1H104K	CAP. NYLAR 0.1 10% 50V
C110	CQ92FM1H104K	CAP. NYLAR 0.1 10% 50V
C111	CC45FCH2H010C	CAP. CERAMIC 1P 0.25P 500V
C112	CC45FCH2H010C	CAP. CERAMIC 1P 0.25P 500V
C113	CQ92FM1H103K	CAP. NYLAR 0.01 10% 50V
C201	CE04W2E3R3H	CAP. ELECTRO 3.3 20% 250V
C202	CK45FB2H472K	CAP. CERAMIC 4700P 10% 500V
C203	CK45FB2H472K	CAP. CERAMIC 4700P 10% 500V
C204	CE04W2E3R3H	CAP. ELECTRO 3.3 20% 250V
C205	CK45FB2H472K	CAP. CERAMIC 4700P 10% 500V
C206	CK45FB2H472K	CAP. CERAMIC 4700P 10% 500V
C207	CE04EW1E101M	CAP. ELECTRO 100 20% 25V
C208	CE04EW1E101M	CAP. ELECTRO 100 20% 25V
C209	CE04EW1E330M	CAP. ELECTRO 33 20% 25V
C210	CE04EW1E330M	CAP. ELECTRO 33 20% 25V
C211	CQ92FM1H103K	CAP. NYLAR 0.01 10% 50V
C212	CQ92FM1H103K	CAP. NYLAR 0.01 10% 50V
C213	CE04EW1E330M	CAP. ELECTRO 33 20% 25V
C214	CE04EW1E330M	CAP. ELECTRO 33 20% 25V
C215	CQ92FM1H104K	CAP. NYLAR 0.1 10% 50V
C216	CQ92FM1H104K	CAP. NYLAR 0.1 10% 50V
C217	CE04EW1E330M	CAP. ELECTRO 33 20% 25V
C218	CE04EW1E330M	CAP. ELECTRO 33 20% 25V
C219	CQ92FM1H103K	CAP. NYLAR 0.01 10% 50V
C220	CQ92FM1H103K	CAP. NYLAR 0.01 10% 50V
C221	CQ92FM1H104K	CAP. NYLAR 0.1 10% 50V
C222	CQ92FM1H104K	CAP. NYLAR 0.1 10% 50V
C223	CE04EW1E330M	CAP. ELECTRO 33 20% 25V
C224	CE04EW1E330M	CAP. ELECTRO 33 20% 25V
C225	CQ92FM1H103K	CAP. NYLAR 0.01 10% 50V
C226	CQ92FM1H103K	CAP. NYLAR 0.01 10% 50V
D101	1SS132	DIODE
D102	TLR112	LED, RED
D103	TLR112	LED, RED
D104	1SS132	DIODE
D105	1SS132	DIODE
D106	1SS132	DIODE
D107	1SS132	DIODE
P301	E40-3237-05	PIN CONNECTOR 2P
P302	E40-3238-05	PIN CONNECTOR 3P
P303	E40-3237-05	PIN CONNECTOR 2P
P304	E40-3238-05	PIN CONNECTOR 3P
P308	E40-3238-05	PIN CONNECTOR 3P
P309	E40-3239-05	PIN CONNECTOR 4P
Q1	2SC2786(K)	TR. SI, NPN
Q2	2SC2786(K)	TR. SI, NPN
Q3	2SC3354(S)	TR. SI, NPN
Q4	2SC3354(S)	TR. SI, NPN
Q5	2SC2786(K)	TR. SI, NPN
Q6	2SC2786(K)	TR. SI, NPN
Q7	2SC2786(K)	TR. SI, NPN
Q8	2SC2786(K)	TR. SI, NPN
Q9	2SC3779(D)	TR. SI, NPN
Q10	2SC3779(D)	TR. SI, NPN
Q13	2SC3787(S)	TR. SI, NPN
Q14	2SC3787(S)	TR. SI, NPN

REF. NO	PARTS NO	NAME & DESCRIPTION
Q15	2SC2786(K)	TR. SI, NPN
Q101	2SC2785(F)	TR. SI, NPN
Q102	2SC2785(F)	TR. SI, NPN
Q103	NO USE	
Q104	2SC3066(F)	TR. DUAL, SI, NPN
Q107	2SA1005(K)	TR. SI, PNP
Q108	2SA1005(K)	TR. SI, PNP
Q111	2SC2785(F)	TR. SI, NPN
Q112	2SC2785(F)	TR. SI, NPN
Q113	2SC3354(S)	TR. SI, NPN
Q114	2SC3354(S)	TR. SI, NPN
Q115	2SA1005(K)	TR. SI, PNP
Q116	2SA1005(K)	TR. SI, PNP
Q117	2SC2785(F)	TR. SI, NPN
Q118	2SC2785(F)	TR. SI, NPN
Q119	2SC3787(S)	TR. SI, NPN
Q120	2SC3787(S)	TR. SI, NPN
Q121	2SA1477(S)	TR. SI, PNP
Q122	2SA1477(S)	TR. SI, PNP
Q125	2SC2786(K)	TR. SI, NPN
R1	RD14BB2C102J	RES. CARBON 1K 5% 1/6W
R2	RD14BB2C101J	RES. CARBON 100 5% 1/6W
R5	RD14BB2C680J	RES. CARBON 68 5% 1/6W
R6	NO USE	
R7	RD14BB2C302J	RES. CARBON 3K 5% 1/6W
R8	RD14BB2C302J	RES. CARBON 3K 5% 1/6W
R9	RD14BB2C470J	RES. CARBON 47 5% 1/6W
R10	RD14BB2C470J	RES. CARBON 47 5% 1/6W
R11	RN14BK2C2700F	RES. METAL FILM 270 1% 1/6W
R12	RN14BK2C2700F	RES. METAL FILM 270 1% 1/6W
R13	RD14BB2C220J	RES. CARBON 22 5% 1/6W
R14	RD14BB2C220J	RES. CARBON 22 5% 1/6W
R15	RD14BB2C101J	RES. CARBON 100 5% 1/6W
R16	RD14BB2C101J	RES. CARBON 100 5% 1/6W
R17	RD14BB2C220J	RES. CARBON 22 5% 1/6W
R18	RD14BB2C220J	RES. CARBON 22 5% 1/6W
R19	RN14BK2C5100F	RES. METAL FILM 510 1% 1/6W
R22	RN14BK2C8201F	RES. METAL FILM 8.2K 1% 1/6W
R23	RN14BK2C3301F	RES. METAL FILM 3.3K 1% 1/6W
R24	RN14BK2C1201F	RES. METAL FILM 1.2K 1% 1/6W
R25	RN14BK2C1201F	RES. METAL FILM 1.2K 1% 1/6W
R26	RN14BK2C1201F	RES. METAL FILM 1.2K 1% 1/6W
R27	RD14BB2C220J	RES. CARBON 22 5% 1/6W
R28	RD14BB2C220J	RES. CARBON 22 5% 1/6W
R29	RD14BB2C302J	RES. CARBON 3K 5% 1/6W
R30	RD14BB2C302J	RES. CARBON 3K 5% 1/6W
R31	RD14BB2C470J	RES. CARBON 47 5% 1/6W
R32	RD14BB2C470J	RES. CARBON 47 5% 1/6W
R35	RN14BK2E2200F	RES. METAL FILM 220 1% 1/4W
R36	RN14BK2E2200F	RES. METAL FILM 220 1% 1/4W
R37	RN14BK2E1300F	RES. METAL FILM 130 1% 1/4W
R38	NO USE	
R39	RD14BB2C220J	RES. CARBON 22 5% 1/6W
R40	RD14BB2C220J	RES. CARBON 22 5% 1/6W
R41	RD14BB2C101J	RES. CARBON 100 5% 1/6W
R42	RD14BB2C101J	RES. CARBON 100 5% 1/6W
R43	RS14AB3H302J	RES. METAL FILM 3K 5% 5W
R44	RS14AB3H302J	RES. METAL FILM 3K 5% 5W
R47	RD14BB2C470J	RES. CARBON 47 5% 1/6W
R48	RD14BB2C470J	RES. CARBON 47 5% 1/6W
R51	RN14BK2C3300F	RES. METAL FILM 330 1% 1/6W
R52	RN14BK2C7501F	RES. METAL FILM 7.5K 1% 1/6W
R53	RN14BK2C3601F	RES. METAL FILM 3.6K 1% 1/6W
R54	NO USE	
R55	RD14BB2C101J	RES. CARBON 100 5% 1/6W
R56	RD14BB2C101J	RES. CARBON 100 5% 1/6W
R101	RD14BB2C102J	RES. CARBON 1K 5% 1/6W
R102	RD14BB2C470J	RES. CARBON 47 5% 1/6W
R105	RD14BB2C680J	RES. CARBON 68 5% 1/6W
R106	NO USE	
R107	RD14BB2C392J	RES. CARBON 3.9K 5% 1/6W
R108	RD14BB2C392J	RES. CARBON 3.9K 5% 1/6W
R113	RN14BK2C5100F	RES. METAL FILM 510 1% 1/6W
R114	RN14BK2C5100F	RES. METAL FILM 510 1% 1/6W

# PARTS LIST

REF. NO	PARTS NO	NAME & DESCRIPTION
R115	NO USE	
R116	RN14BK2C3601F	RES. METAL FILM 3.6K 1% 1/6W
R117	RN14BK2C1801F	RES. METAL FILM 1.8K 1% 1/6W
R118	NO USE	
R119	RN14BK2C7500F	RES. METAL FILM 750 1% 1/6W
R120	RN14BK2C7501F	RES. METAL FILM 7.5K 1% 1/6W
R121	RN14BK2C1101F	RES. METAL FILM 1.1K 1% 1/6W
R122	RN14BK2C1101F	RES. METAL FILM 1.1K 1% 1/6W
R123	RD14BB2C470J	RES. CARBON 47 5% 1/6W
R124	RD14BB2C470J	RES. CARBON 47 5% 1/6W
R125	RN14BK2C4701F	RES. METAL FILM 4.7K 1% 1/6W
R126	NO USE	
R127	RD14BB2C473J	RES. CARBON 47K 5% 1/6W
R128	RD14BB2C473J	RES. CARBON 47K 5% 1/6W
R129	RN14BK2C2001F	RES. METAL FILM 2K 1% 1/6W
R130	RN14BK2C2001F	RES. METAL FILM 2K 1% 1/6W
R131	RD14BB2C392J	RES. CARBON 3.9K 5% 1/6W
R132	RD14BB2C392J	RES. CARBON 3.9K 5% 1/6W
R133	RD14BB2C470J	RES. CARBON 47 5% 1/6W
R134	RD14BB2C470J	RES. CARBON 47 5% 1/6W
R135	RN14BK2C1201F	RES. METAL FILM 1.2K 1% 1/6W
R136	RN14BK2C1201F	RES. METAL FILM 1.2K 1% 1/6W
R139	RN14BK2C2401F	RES. METAL FILM 2.4K 1% 1/6W
R140	RN14BK2C2401F	RES. METAL FILM 2.4K 1% 1/6W
R141	RD14BB2C272J	RES. CARBON 2.7K 5% 1/6W
R142	RD14BB2C272J	RES. CARBON 2.7K 5% 1/6W
R143	RD14BB2C392J	RES. CARBON 3.9K 5% 1/6W
R144	RD14BB2C392J	RES. CARBON 3.9K 5% 1/6W
R145	RD14BB2C911J	RES. CARBON 910 5% 1/6W
R146	RD14BB2C911J	RES. CARBON 910 5% 1/6W
R147	RD14BB2C392J	RES. CARBON 3.9K 5% 1/6W
R148	RD14BB2C392J	RES. CARBON 3.9K 5% 1/6W
R149	RD14BB2C470J	RES. CARBON 47 5% 1/6W
R150	RD14BB2C470J	RES. CARBON 47 5% 1/6W
R151	RD14BB2C102J	RES. CARBON 1K 5% 1/6W
R152	RD14BB2C102J	RES. CARBON 1K 5% 1/6W
R153	RN14BK2C3601F	RES. METAL FILM 3.6K 1% 1/6W
R154	RN14BK2C1003F	RES. METAL FILM 100K 1% 1/6W
R155	RN14BK2C7500F	RES. METAL FILM 750 1% 1/6W
R156	RN14BK2C7500F	RES. METAL FILM 750 1% 1/6W
R157	RN14BK2E8202F	RES. METAL FILM 82K 1% 1/4W
R158	RN14BK2E8202F	RES. METAL FILM 82K 1% 1/4W
R159	RD14BB2C470J	RES. CARBON 47 5% 1/6W
R160	RD14BB2C470J	RES. CARBON 47 5% 1/6W
R177	RN14BK2E8202F	RES. METAL FILM 82K 1% 1/4W
R178	RN14BK2E8202F	RES. METAL FILM 82K 1% 1/4W
R179	RN14BK2C3901F	RES. METAL FILM 3.9K 1% 1/6W
R180	NO USE	
R181	RD14BB2C101J	RES. CARBON 100 5% 1/6W
R182	RD14BB2C101J	RES. CARBON 100 5% 1/6W
R183	RD14BB2C101J	RES. CARBON 100 5% 1/6W
R184	RD14BB2C101J	RES. CARBON 100 5% 1/6W
R185	RD14BB2C101J	RES. CARBON 100 5% 1/6W
R186	RD14BB2C101J	RES. CARBON 100 5% 1/6W
R187	RN14BK2C1101F	RES. METAL FILM 1.1K 1% 1/6W
R188	RN14BK2C1101F	RES. METAL FILM 1.1K 1% 1/6W
R301	RN14BK2H75R0F	RES. METAL FILM 75.0 1% 1/2W
R302	RN14BK2H75R0F	RES. METAL FILM 75.0 1% 1/2W
R303	RN14BK2H75R0F	RES. METAL FILM 75.0 1% 1/2W
S301	S31-1502-05	SLIDE SWITCH
S302	S31-1502-05	SLIDE SWITCH
S303	S31-1502-05	SLIDE SWITCH
VR2	R12-1544-05	RES. SEMI FIXED 2KB
VR6	R12-1543-05	RES. SEMI FIXED 1KB
VR103	R92-1061-05	JUMPING RES. ZERO OHM (5MM)
VR104	NO USE	
VR105	R12-0573-05	RES. SEMI FIXED 200 B
VR106	R12-0573-05	RES. SEMI FIXED 200 B
W301	E38-0495-05	WIRE ASS'Y
W302	E38-0495-05	WIRE ASS'Y
W303	E38-0495-05	WIRE ASS'Y
W304	NO USE	
W305	E38-0500-05	WIRE ASS'Y

## CV-1250 INPUT AMP UNIT X73-1960-00

REF. NO	PARTS NO	NAME & DESCRIPTION
	F10-1581-04	SHIELD PLATE
	J73-0145-02	PCB (UNMOUNTED)
C1	CF92V1H104J	CAP. POLYESTER 0.1 5% 50V
C2	CF92V1H104J	CAP. POLYESTER 0.1 5% 50V
C3	CF92V1H104J	CAP. POLYESTER 0.1 5% 50V
C4	CC45FCH1H030C	CAP. CERAMIC 3P 0.25P 50V
C5	CC45FCH1H030C	CAP. CERAMIC 3P 0.25P 50V
C6	CC45FCH1H030C	CAP. CERAMIC 3P 0.25P 50V
C7	CQ92FM1H103K	CAP. NYLAR 0.01 10% 50V
C8	CQ92FM1H103K	CAP. NYLAR 0.01 10% 50V
C9	CQ92FM1H103K	CAP. NYLAR 0.01 10% 50V
C10	CQ92FM1H102K	CAP. NYLAR 1000P 10% 50V
C11	CQ92FM1H102K	CAP. NYLAR 1000P 10% 50V
C12	CQ92FM1H102K	CAP. NYLAR 1000P 10% 50V
C13	CE04EW1C221N	CAP. ELECTRO 220 20% 16V
C14	CE04EW1C221N	CAP. ELECTRO 220 20% 16V
C15	CE04EW1C221N	CAP. ELECTRO 220 20% 16V
C19	CQ92FM1H104K	CAP. NYLAR 0.1 10% 50V
C20	CC45FCH1H070D	CAP. CERAMIC 7P 0.5P 50V
C21	CQ92FM1H103K	CAP. NYLAR 0.01 10% 50V
C22	CQ92FM1H103K	CAP. NYLAR 0.01 10% 50V
C23	CF92V1H104J	CAP. POLYESTER 0.1 5% 50V
C24	CQ92FM1H104K	CAP. NYLAR 0.1 10% 50V
C25	CC45FCH1H070D	CAP. CERAMIC 7P 0.5P 50V
C26	CQ92FM1H103K	CAP. NYLAR 0.01 10% 50V
C27	CQ92FM1H103K	CAP. NYLAR 0.01 10% 50V
C28	CF92V1H104J	CAP. POLYESTER 0.1 5% 50V
C29	CE04HW1E220H	CAP. ELECTRO 22 20% 25V
C30	CE04EW1E330H	CAP. ELECTRO 33 20% 25V
C31	CE04EW1E330H	CAP. ELECTRO 33 20% 25V
C32	CE04EW1E330H	CAP. ELECTRO 33 20% 25V
C33	CE04EW1E330H	CAP. ELECTRO 33 20% 25V
C34	CE04EW1E330H	CAP. ELECTRO 33 20% 25V
C35	CE04EW1E330H	CAP. ELECTRO 33 20% 25V
C36	CQ92FM1H103K	CAP. NYLAR 0.01 10% 50V
C37	CQ92FM1H103K	CAP. NYLAR 0.01 10% 50V
C38	CQ92FM1H103K	CAP. NYLAR 0.01 10% 50V
C39	CQ92FM1H103K	CAP. NYLAR 0.01 10% 50V
C40	CQ92FM1H103K	CAP. NYLAR 0.01 10% 50V
C41	CQ92FM1H103K	CAP. NYLAR 0.01 10% 50V
C42	CE04EW1E330H	CAP. ELECTRO 33 20% 25V
C43	CE04EW1E330H	CAP. ELECTRO 33 20% 25V
C44	CQ92FM1H103K	CAP. NYLAR 0.01 10% 50V
C45	CQ92FM1H103K	CAP. NYLAR 0.01 10% 50V
C46	CE04EW1E330H	CAP. ELECTRO 33 20% 25V
C47	CE04EW1E330H	CAP. ELECTRO 33 20% 25V
C48	CQ92FM1H103K	CAP. NYLAR 0.01 10% 50V
C49	CQ92FM1H103K	CAP. NYLAR 0.01 10% 50V
C50	CE04EW1E330H	CAP. ELECTRO 33 20% 25V
C51	CE04EW1E330H	CAP. ELECTRO 33 20% 25V
C52	CE04EW1E330H	CAP. ELECTRO 33 20% 25V
C53	CE04EW1E330H	CAP. ELECTRO 33 20% 25V
C54	CE04EW1E330H	CAP. ELECTRO 33 20% 25V
C55	CE04EW1C101H	CAP. ELECTRO 100 20% 16V
C56	CQ92FM1H103K	CAP. NYLAR 0.01 10% 50V
C57	CQ92FM1H104K	CAP. NYLAR 0.1 10% 50V
C58	CQ92FM1H104K	CAP. NYLAR 0.1 10% 50V
C59	CQ92FM1H104K	CAP. NYLAR 0.1 10% 50V
C60	CQ92FM1H104K	CAP. NYLAR 0.1 10% 50V
C61	CQ92FM1H104K	CAP. NYLAR 0.1 10% 50V
C62	CQ92FM1H104K	CAP. NYLAR 0.1 10% 50V
C63	CQ92FM1H104K	CAP. NYLAR 0.1 10% 50V
C64	CQ92FM1H103K	CAP. NYLAR 0.01 10% 50V
C65	CQ92FM1H103K	CAP. NYLAR 0.01 10% 50V
C66	CQ92FM1H103K	CAP. NYLAR 0.01 10% 50V
C67	CQ92FM1H103K	CAP. NYLAR 0.01 10% 50V
C68	CQ92FM1H103K	CAP. NYLAR 0.01 10% 50V
C69	CQ92FM1H103K	CAP. NYLAR 0.01 10% 50V
C70	CQ92FM1H103K	CAP. NYLAR 0.01 10% 50V
C71	CQ92FM1H104K	CAP. NYLAR 0.1 10% 50V
C72	CQ92FM1H104K	CAP. NYLAR 0.1 10% 50V
C73	CQ92FM1H104K	CAP. NYLAR 0.1 10% 50V
C74	CQ92FM1H104K	CAP. NYLAR 0.1 10% 50V
C75	CQ92FM1H104K	CAP. NYLAR 0.1 10% 50V
C76	CQ92FM1H104K	CAP. NYLAR 0.1 10% 50V
C201	CE04HW1E220H	CAP. ELECTRO 22 20% 25V
C204	CE04EW1E330H	CAP. ELECTRO 33 20% 25V
C205	CC45FCH1H220J	CAP. CERAMIC 22P 5% 50V
C206	CE04EW1H010N	CAP. ELECTRO 1 20% 50V

# PARTS LIST

REF. NO	PARTS NO	NAME & DESCRIPTION	REF. NO	PARTS NO	NAME & DESCRIPTION
C207	CE04HW1E220M	CAP. ELECTRO 22 20% 25V	Q1	2SC3354(S)	TR. SI, NPN
C208	CC45FSL1H471J	CAP. CERAMIC 470P 5% 50V	Q2	2SC3354(S)	TR. SI, NPN
C209	CE04EW1C101M	CAP. ELECTRO 100 20% 16V	Q3	2SC3354(S)	TR. SI, NPN
C210	CE04EW1C101M	CAP. ELECTRO 100 20% 16V	Q4	2SK332(E)	FET, N-CHANNEL
C211	CE04EW1C101M	CAP. ELECTRO 100 20% 16V	Q5	2SK332(E)	FET, N-CHANNEL
C212	CF92V1H104J	CAP. POLYESTER 0.1 5% 50V	Q6	2SK332(E)	FET, N-CHANNEL
C213	CQ92FM1H104K	CAP. NYLAR 0.1 10% 50V	Q7	2SA1175(F)	TR. SI, PNP
C214	CF92V1H103J	CAP. POLYESTER 0.01 5% 50V	Q8	2SA1175(F)	TR. SI, PNP
C215	CF92V1H332J	CAP. POLYESTER 3300P 5% 50V	Q9	2SA1175(F)	TR. SI, PNP
C216	CQ92FM1H103K	CAP. NYLAR 0.01 10% 50V	Q10	2SA1565	TR. SI, PNP
C217	CF92V1H102J	CAP. POLYESTER 1000P 5% 50V	Q11	2SA1565	TR. SI, PNP
C218	CF92V1H102J	CAP. POLYESTER 1000P 5% 50V	Q12	2SA1565	TR. SI, PNP
C219	CF92V1H102J	CAP. POLYESTER 1000P 5% 50V	Q13	2SC2785(F)	TR. SI, NPN
C220	CF92V1H102J	CAP. POLYESTER 1000P 5% 50V	Q14	2SC2785(F)	TR. SI, NPN
C224	CE04EW1E330M	CAP. ELECTRO 33 20% 25V	Q15	2SC2785(F)	TR. SI, NPN
C225	CE04EW1E330M	CAP. ELECTRO 33 20% 25V	Q16	2SC2785(F)	TR. SI, NPN
C226	CQ92FM1H103K	CAP. NYLAR 0.01 10% 50V	Q17	2SC2785(F)	TR. SI, NPN
C227	CE04EW1E330M	CAP. ELECTRO 33 20% 25V	Q18	2SC2785(F)	TR. SI, NPN
C228	CE04EW1E330M	CAP. ELECTRO 33 20% 25V	Q19	2SC2785(F)	TR. SI, NPN
C229	CQ92FM1H103K	CAP. NYLAR 0.01 10% 50V	Q20	2SC2785(F)	TR. SI, NPN
C230	CE04EW1E330M	CAP. ELECTRO 33 20% 25V	Q21	2SC2785(F)	TR. SI, NPN
C231	CE04EW1E330M	CAP. ELECTRO 33 20% 25V	Q22	2SC2785(F)	TR. SI, NPN
C232	C91-1315-05	CAP. CERAMIC 0.1 80/-10% 50V	Q23	2SC2785(F)	TR. SI, NPN
C233	C91-1315-05	CAP. CERAMIC 0.1 80/-10% 50V	Q24	2SC2785(F)	TR. SI, NPN
C234	C91-1315-05	CAP. CERAMIC 0.1 80/-10% 50V	Q25	2SC2785(F)	TR. SI, NPN
C235	C91-1315-05	CAP. CERAMIC 0.1 80/-10% 50V	Q26	2SC2785(F)	TR. SI, NPN
C236	C91-1315-05	CAP. CERAMIC 0.1 80/-10% 50V	Q27	2SA1175(F)	TR. SI, PNP
C237	C91-1315-05	CAP. CERAMIC 0.1 80/-10% 50V	Q28	2SA1005(K)	TR. SI, PNP
C238	C91-1315-05	CAP. CERAMIC 0.1 80/-10% 50V	Q29	2SC2786(K)	TR. SI, NPN
C239	C91-1315-05	CAP. CERAMIC 0.1 80/-10% 50V	Q30	2SA1005(K)	TR. SI, PNP
C240	C91-1315-05	CAP. CERAMIC 0.1 80/-10% 50V	Q31	2SA1005(K)	TR. SI, PNP
C241	C91-1315-05	CAP. CERAMIC 0.1 80/-10% 50V	Q32	2SC2786(K)	TR. SI, NPN
C242	C91-1315-05	CAP. CERAMIC 0.1 80/-10% 50V	Q33	2SA1005(K)	TR. SI, PNP
C243	CC45FCH1H101J	CAP. CERAMIC 100P 5% 50V	Q34	2SA1005(K)	TR. SI, PNP
C244	CQ92FM1H102K	CAP. NYLAR 1000P 10% 50V	Q35	2SC2786(K)	TR. SI, NPN
D1	1SS132	DIODE	Q36	2SA1005(K)	TR. SI, PNP
D2	1SS132	DIODE	Q37	2SA1005(K)	TR. SI, PNP
D3	1SS132	DIODE	Q38	2SC2785(F)	TR. SI, NPN
D4	1SS132	DIODE	Q39	2SA1175(F)	TR. SI, PNP
D5	1SS132	DIODE	Q201	2SC2785(F)	TR. SI, NPN
D6	1SS132	DIODE	R4	RN14BK2C1004F	RES. METAL FILM 1M 1% 1/6W
D7	1SS132	DIODE	R5	RN14BK2C1004F	RES. METAL FILM 1M 1% 1/6W
D8	1SS132	DIODE	R6	RN14BK2C1004F	RES. METAL FILM 1M 1% 1/6W
D9	1SS132	DIODE	R10	RN14BK2C1004F	RES. METAL FILM 1M 1% 1/6W
D10	1SS132	DIODE	R11	RN14BK2C1004F	RES. METAL FILM 1M 1% 1/6W
D11	1SS132	DIODE	R12	RN14BK2C1004F	RES. METAL FILM 1M 1% 1/6W
D12	MTZ7.5JC	DIODE, ZENER 9.6V	R13	RD14BB2C104J	RES. CARBON 100K 5% 1/6W
D13	MTZ7.5JC	DIODE, ZENER 9.6V	R14	RD14BB2C104J	RES. CARBON 100K 5% 1/6W
D14	MTZ7.5JC	DIODE, ZENER 9.6V	R15	RD14BB2C104J	RES. CARBON 100K 5% 1/6W
D15	1SS132	DIODE	R16	RN14BK2C1000F	RES. METAL FILM 100 1% 1/6W
D16	1SS132	DIODE	R17	RN14BK2C1000F	RES. METAL FILM 100 1% 1/6W
D17	1SS132	DIODE	R18	RN14BK2C1000F	RES. METAL FILM 100 1% 1/6W
D201	1SS132	DIODE	R19	RN14BK2C1000F	RES. METAL FILM 100 1% 1/6W
D202	1SS132	DIODE	R20	RN14BK2C1000F	RES. METAL FILM 100 1% 1/6W
D203	MTZ6.2JB	DIODE, ZENER 12.23V	R21	RN14BK2C1000F	RES. METAL FILM 100 1% 1/6W
D204	MTZ6.2JB	DIODE, ZENER 12.23V	R22	RD14BB2C202J	RES. CARBON 2K 5% 1/6W
D205	1SS132	DIODE	R23	RD14BB2C202J	RES. CARBON 2K 5% 1/6W
D206	1SS132	DIODE	R24	RD14BB2C202J	RES. CARBON 2K 5% 1/6W
D207	1SS132	DIODE	R28	RD14BB2C101J	RES. CARBON 100 5% 1/6W
L1	L37-0055-05	MATCHING COIL	R29	RD14BB2C101J	RES. CARBON 100 5% 1/6W
L2	L37-0055-05	MATCHING COIL	R30	RD14BB2C101J	RES. CARBON 100 5% 1/6W
L3	L37-0055-05	MATCHING COIL	R31	RD14BB2C101J	RES. CARBON 100 5% 1/6W
L4	L37-0055-05	MATCHING COIL	R32	RD14BB2C101J	RES. CARBON 100 5% 1/6W
L5	L79-0526-05	NOISE FILTER	R33	RD14BB2C101J	RES. CARBON 100 5% 1/6W
L6	L79-0526-05	NOISE FILTER	R34	RN14BK2C9100F	RES. METAL FILM 910 1% 1/6W
L201	L79-0526-05	NOISE FILTER	R35	RN14BK2C8200F	RES. METAL FILM 820 1% 1/6W
L202	L79-0526-05	NOISE FILTER	R36	RN14BK2C8200F	RES. METAL FILM 820 1% 1/6W
L203	L79-0526-05	NOISE FILTER	R37	RD14BB2C182J	RES. CARBON 1.8K 5% 1/6W
P1	E40-3237-05	PIN CONNECTOR 2P	R38	RD14BB2C182J	RES. CARBON 1.8K 5% 1/6W
P2	E40-3237-05	PIN CONNECTOR 2P	R39	RD14BB2C182J	RES. CARBON 1.8K 5% 1/6W
P3	E40-3237-05	PIN CONNECTOR 2P	R40	RN14BK2C2201F	RES. METAL FILM 2.2K 1% 1/6W
P4	NO USE		R41	RN14BK2C3601F	RES. METAL FILM 3.6K 1% 1/6W
P5	E40-3243-05	PIN CONNECTOR 8P	R42	RN14BK2C3601F	RES. METAL FILM 3.6K 1% 1/6W
P6	E40-3239-05	PIN CONNECTOR 4P	R43	RN14BK2C3601F	RES. METAL FILM 3.6K 1% 1/6W
P7	E40-3239-05	PIN CONNECTOR 4P	R44	RD14BB2C123J	RES. CARBON 12K 5% 1/6W
P8	E40-3239-05	PIN CONNECTOR 4P	R45	RD14BB2C123J	RES. CARBON 12K 5% 1/6W
P9	E40-3239-05	PIN CONNECTOR 4P	R46	RD14BB2C123J	RES. CARBON 12K 5% 1/6W
P10	E40-3238-05	PIN CONNECTOR 3P	R47	RN14BK2C3601F	RES. METAL FILM 3.6K 1% 1/6W
P11	E40-5067-05	PIN CONNECTOR 10P	R48	RD14BB2C203J	RES. CARBON 20K 5% 1/6W
P12	E40-3237-05	PIN CONNECTOR 2P	R49	RD14BB2C203J	RES. CARBON 20K 5% 1/6W
			R50	RD14BB2C203J	RES. CARBON 20K 5% 1/6W
			R51	RD14BB2C203J	RES. CARBON 20K 5% 1/6W
			R52	RD14BB2C203J	RES. CARBON 20K 5% 1/6W

# PARTS LIST

REF. NO	PARTS NO	NAME & DESCRIPTION
R53	RD14BB2C203J	RES. CARBON 20K 5% 1/6W
R54	RD14BB2C203J	RES. CARBON 20K 5% 1/6W
R55	RD14BB2C470J	RES. CARBON 47 5% 1/6W
R56	RD14BB2C470J	RES. CARBON 47 5% 1/6W
R57	RD14BB2C470J	RES. CARBON 47 5% 1/6W
R58	RD14BB2C470J	RES. CARBON 47 5% 1/6W
R59	RD14BB2C470J	RES. CARBON 47 5% 1/6W
R60	RD14BB2C470J	RES. CARBON 47 5% 1/6W
R61	RD14BB2C470J	RES. CARBON 47 5% 1/6W
R62	RD14BB2C103J	RES. CARBON 10K 5% 1/6W
R63	RD14BB2C102J	RES. CARBON 1K 5% 1/6W
R64	RD14BB2C102J	RES. CARBON 1K 5% 1/6W
R65	RD14BB2C102J	RES. CARBON 1K 5% 1/6W
R66	RD14BB2C102J	RES. CARBON 1K 5% 1/6W
R67	RD14BB2C102J	RES. CARBON 1K 5% 1/6W
R68	RD14BB2C102J	RES. CARBON 1K 5% 1/6W
R69	RD14BB2C102J	RES. CARBON 1K 5% 1/6W
R77	RD14BB2C302J	RES. CARBON 3K 5% 1/6W
R78	RD14BB2C912J	RES. CARBON 9.1K 5% 1/6W
R79	RD14BB2C103J	RES. CARBON 10K 5% 1/6W
R80	RD14BB2C102J	RES. CARBON 1K 5% 1/6W
R81	RD14BB2C153J	RES. CARBON 15K 5% 1/6W
R82	RD14BB2C621J	RES. CARBON 620 5% 1/6W
R83	RD14BB2C562J	RES. CARBON 5.6K 5% 1/6W
R84	RD14BB2C622J	RES. CARBON 6.2K 5% 1/6W
R85	RD14BB2C302J	RES. CARBON 3K 5% 1/6W
R86	RD14BB2C100J	RES. CARBON 10 5% 1/6W
R87	RD14BB2C100J	RES. CARBON 10 5% 1/6W
R88	RN14BK2C1001F	RES. METAL FILM 1K 1% 1/6W
R89	R92-1479-05	RES. LINEAR PCT 1K 5% 1/6W
R90	RD14BB2C101J	RES. CARBON 100 5% 1/6W
R91	RD14BB2C101J	RES. CARBON 100 5% 1/6W
R92	NO USE	
R93	RD14BB2C302J	RES. CARBON 3K 5% 1/6W
R94	RD14BB2C912J	RES. CARBON 9.1K 5% 1/6W
R95	RD14BB2C103J	RES. CARBON 10K 5% 1/6W
R96	RD14BB2C182J	RES. CARBON 1.8K 5% 1/6W
R97	RD14BB2C103J	RES. CARBON 10K 5% 1/6W
R98	RD14BB2C621J	RES. CARBON 620 5% 1/6W
R99	RD14BB2C562J	RES. CARBON 5.6K 5% 1/6W
R100	RD14BB2C622J	RES. CARBON 6.2K 5% 1/6W
R101	RD14BB2C302J	RES. CARBON 3K 5% 1/6W
R102	RD14BB2C100J	RES. CARBON 10 5% 1/6W
R103	RD14BB2C100J	RES. CARBON 10 5% 1/6W
R104	RN14BK2C2001F	RES. METAL FILM 2K 1% 1/6W
R105	RD14BB2C101J	RES. CARBON 100 5% 1/6W
R106	RD14BB2C101J	RES. CARBON 100 5% 1/6W
R107	RD14BB2C102J	RES. CARBON 1K 5% 1/6W
R108	R90-0665-05	RES. NETWORK 7X10K
R201	RD14BB2C433J	RES. CARBON 43K 5% 1/6W
R202	RD14BB2C202J	RES. CARBON 2K 5% 1/6W
R203	RD14BB2C102J	RES. CARBON 1K 5% 1/6W
R204	RD14BB2C103J	RES. CARBON 10K 5% 1/6W
R205	RD14BB2C222J	RES. CARBON 2.2K 5% 1/6W
R206	RD14BB2C222J	RES. CARBON 2.2K 5% 1/6W
R207	RD14BB2C471J	RES. CARBON 470 5% 1/6W
R211	RD14BB2C331J	RES. CARBON 330 5% 1/6W
R212	RD14BB2C222J	RES. CARBON 2.2K 5% 1/6W
R213	RD14BB2C101J	RES. CARBON 100 5% 1/6W
R214	NO USE	
R215	RD14BB2C621J	RES. CARBON 620 5% 1/6W
R216	NO USE	
R217	RD14BB2C684J	RES. CARBON 680K 5% 1/6W
R218	RD14BB2C223J	RES. CARBON 22K 5% 1/6W
R219	RD14BB2C223J	RES. CARBON 22K 5% 1/6W
R220	RD14BB2C222J	RES. CARBON 2.2K 5% 1/6W
R221	RD14BB2C472J	RES. CARBON 4.7K 5% 1/6W
R222	RN14BK2C4301F	RES. METAL FILM 4.3K 1% 1/6W
R223	RN14BK2C4702F	RES. METAL FILM 47K 1% 1/6W
R224	RN14BK2C2701F	RES. METAL FILM 2.7K 1% 1/6W
R225	RN14BK2C5601F	RES. METAL FILM 5.6K 1% 1/6W
R226	RD14BB2C103J	RES. CARBON 10K 5% 1/6W
R227	NO USE	
R228	RD14BB2C103J	RES. CARBON 10K 5% 1/6W
R229	RD14BB2C103J	RES. CARBON 10K 5% 1/6W
R230	RD14BB2C103J	RES. CARBON 10K 5% 1/6W
R231	RD14BB2C103J	RES. CARBON 10K 5% 1/6W
R232	RD14BB2C103J	RES. CARBON 10K 5% 1/6W
R233	RD14BB2C432J	RES. CARBON 4.3K 5% 1/6W
R234	RD14BB2C332J	RES. CARBON 3.3K 5% 1/6W
R235	RD14BB2C303J	RES. CARBON 30K 5% 1/6W
R236	RD14BB2C201J	RES. CARBON 200 5% 1/6W
TC1	C05-0445-05	CAP. TRIMMER 20P

REF. NO	PARTS NO	NAME & DESCRIPTION
TC2	C05-0445-05	CAP. TRIMMER 20P
TC3	C05-0445-05	CAP. TRIMMER 20P
U201	NJM072BD	IC,JFET INPUT OP AMP
U202	NE592N8	IC,VIDEO AMPLIFIER
U203	LM1881N	IC,VIDEO SYNC SEPARATOR
U204	TC74HC4538AP	IC,DUAL MONOSTABLE MULTIVIBRAT
U205	NE555P	IC, TIMER
U206	TC74HC4538AP	IC,DUAL MONOSTABLE MULTIVIBRAT
U207	TC74HC4538AP	IC,DUAL MONOSTABLE MULTIVIBRAT
U208	TC74HC112AP	IC,DUAL J-K FF WITH PR. & CL.
U209	TC74HC00AP	IC,2-INPUT NAND GATE
U210	TC74HC00AP	IC,2-INPUT NAND GATE
U211	TC74HC00AP	IC,2-INPUT NAND GATE
U212	TC74HC00AP	IC,2-INPUT NAND GATE
U213	TC74HC04AP	IC,HEX INVERTER
VR1	R12-0573-05	RES. SEMI FIXED 200 B
VR2	R12-0573-05	RES. SEMI FIXED 200 B
VR3	R12-1543-05	RES. SEMI FIXED 1KB
VR201	R12-2521-05	RES. SEMI FIXED 5KB
VR202	R12-3547-05	RES. SEMI FIXED 10KB
W1	E38-0499-05	WIRE ASS'Y
W2	E38-0500-05	WIRE ASS'Y
W3	E38-0501-05	WIRE ASS'Y

## CV-1255 INPUT AMP UNIT X73-1960-01

REF. NO	PARTS NO	NAME & DESCRIPTION
F10	1581-04	SHIELD PLATE
J73	0145-02	PCB (UNMOUNTED)
C1	CF92V1H104J	CAP. POLYESTER 0.1 5% 50V
C2	CF92V1H104J	CAP. POLYESTER 0.1 5% 50V
C3	CF92V1H104J	CAP. POLYESTER 0.1 5% 50V
C4	CC45FCH1H030C	CAP. CERAMIC 3P 0.25P 50V
C5	CC45FCH1H030C	CAP. CERAMIC 3P 0.25P 50V
C6	CC45FCH1H030C	CAP. CERAMIC 3P 0.25P 50V
C7	CQ92FM1H103K	CAP. NYLAR 0.01 10% 50V
C8	CQ92FM1H103K	CAP. NYLAR 0.01 10% 50V
C9	CQ92FM1H103K	CAP. NYLAR 0.01 10% 50V
C10	CQ92FM1H102K	CAP. NYLAR 1000P 10% 50V
C11	CQ92FM1H102K	CAP. NYLAR 1000P 10% 50V
C12	CQ92FM1H102K	CAP. NYLAR 1000P 10% 50V
C13	CE04EW1C221M	CAP. ELECTRO 220 20% 16V
C14	CE04EW1C221M	CAP. ELECTRO 220 20% 16V
C15	CE04EW1C221M	CAP. ELECTRO 220 20% 16V
C19	CQ92FM1H104K	CAP. NYLAR 0.1 10% 50V
C20	CC45FCH1H070D	CAP. CERAMIC 7P 0.5P 50V
C21	CQ92FM1H103K	CAP. NYLAR 0.01 10% 50V
C22	CQ92FM1H103K	CAP. NYLAR 0.01 10% 50V
C23	CF92V1H104J	CAP. POLYESTER 0.1 5% 50V
C24	CQ92FM1H104K	CAP. NYLAR 0.1 10% 50V
C25	CC45FCH1H070D	CAP. CERAMIC 7P 0.5P 50V
C26	CQ92FM1H103K	CAP. NYLAR 0.01 10% 50V
C27	CQ92FM1H103K	CAP. NYLAR 0.01 10% 50V
C28	CF92V1H104J	CAP. POLYESTER 0.1 5% 50V
C29	CE04EW1E220M	CAP. ELECTRO 22 20% 25V
C30	CE04EW1E330M	CAP. ELECTRO 33 20% 25V
C31	CE04EW1E330M	CAP. ELECTRO 33 20% 25V
C32	CE04EW1E330M	CAP. ELECTRO 33 20% 25V
C33	CE04EW1E330M	CAP. ELECTRO 33 20% 25V
C34	CE04EW1E330M	CAP. ELECTRO 33 20% 25V
C35	CE04EW1E330M	CAP. ELECTRO 33 20% 25V
C36	CQ92FM1H103K	CAP. NYLAR 0.01 10% 50V
C37	CQ92FM1H103K	CAP. NYLAR 0.01 10% 50V
C38	CQ92FM1H103K	CAP. NYLAR 0.01 10% 50V
C39	CQ92FM1H103K	CAP. NYLAR 0.01 10% 50V
C40	CQ92FM1H103K	CAP. NYLAR 0.01 10% 50V
C41	CQ92FM1H103K	CAP. NYLAR 0.01 10% 50V
C42	CE04EW1E330M	CAP. ELECTRO 33 20% 25V
C43	CE04EW1E330M	CAP. ELECTRO 33 20% 25V
C44	CQ92FM1H103K	CAP. NYLAR 0.01 10% 50V
C45	CQ92FM1H103K	CAP. NYLAR 0.01 10% 50V
C46	CE04EW1E330M	CAP. ELECTRO 33 20% 25V
C47	CE04EW1E330M	CAP. ELECTRO 33 20% 25V
C48	CQ92FM1H103K	CAP. NYLAR 0.01 10% 50V
C49	CQ92FM1H103K	CAP. NYLAR 0.01 10% 50V
C50	CE04EW1E330M	CAP. ELECTRO 33 20% 25V
C51	CE04EW1E330M	CAP. ELECTRO 33 20% 25V
C52	CE04EW1E330M	CAP. ELECTRO 33 20% 25V
C53	CE04EW1E330M	CAP. ELECTRO 33 20% 25V
C54	CE04EW1E330M	CAP. ELECTRO 33 20% 25V
C55	CE04EW1C101M	CAP. ELECTRO 100 20% 16V

# PARTS LIST

REF. NO	PARTS NO	NAME & DESCRIPTION	REF. NO	PARTS NO	NAME & DESCRIPTION
C56	CQ92FM1H103K	CAP. MYLAR 0.01 10% 50V	JP3	E31-2170-05	JUMPING WIRE
C57	CQ92FM1H104K	CAP. MYLAR 0.1 10% 50V	L1	L37-0054-05	MATHCING COIL
C58	CQ92FM1H104K	CAP. MYLAR 0.1 10% 50V	L2	L37-0054-05	MATHCING COIL
C59	CQ92FM1H104K	CAP. MYLAR 0.1 10% 50V	L3	L37-0054-05	MATHCING COIL
C60	CQ92FM1H104K	CAP. MYLAR 0.1 10% 50V	L4	L37-0054-05	MATHCING COIL
C61	CQ92FM1H104K	CAP. MYLAR 0.1 10% 50V	L5	L79-0526-05	NOISE FILTER
C62	CQ92FM1H104K	CAP. MYLAR 0.1 10% 50V	L6	L79-0526-05	NOISE FILTER
C63	CQ92FM1H104K	CAP. MYLAR 0.1 10% 50V	L201	L79-0526-05	NOISE FILTER
C64	CQ92FM1H103K	CAP. MYLAR 0.01 10% 50V	L202	L79-0526-05	NOISE FILTER
C65	CQ92FM1H103K	CAP. MYLAR 0.01 10% 50V	L203	L79-0526-05	NOISE FILTER
C66	CQ92FM1H103K	CAP. MYLAR 0.01 10% 50V	P1	E40-3237-05	PIN CONNECTOR 2P
C67	CQ92FM1H103K	CAP. MYLAR 0.01 10% 50V	P2	E40-3237-05	PIN CONNECTOR 2P
C68	CQ92FM1H103K	CAP. MYLAR 0.01 10% 50V	P3	E40-3237-05	PIN CONNECTOR 2P
C69	CQ92FM1H103K	CAP. MYLAR 0.01 10% 50V	P4		NO USE
C70	CQ92FM1H103K	CAP. MYLAR 0.01 10% 50V	P5	E40-3243-05	PIN CONNECTOR 8P
C71	CQ92FM1H104K	CAP. MYLAR 0.1 10% 50V	P6	E40-3239-05	PIN CONNECTOR 4P
C72	CQ92FM1H104K	CAP. MYLAR 0.1 10% 50V	P7	E40-3239-05	PIN CONNECTOR 4P
C73	CQ92FM1H104K	CAP. MYLAR 0.1 10% 50V	P8	E40-3239-05	PIN CONNECTOR 4P
C74	CQ92FM1H104K	CAP. MYLAR 0.1 10% 50V	P9	E40-3239-05	PIN CONNECTOR 4P
C75	CQ92FM1H104K	CAP. MYLAR 0.1 10% 50V	P10	E40-3238-05	PIN CONNECTOR 3P
C76	CQ92FM1H104K	CAP. MYLAR 0.1 10% 50V	P11	E40-5067-05	PIN CONNECTOR 10P
C201	CE04HW1E220H	CAP. ELECTRO 22 20% 25V	P12	E40-3237-05	PIN CONNECTOR 2P
C204	CE04EW1E330M	CAP. ELECTRO 33 20% 25V	Q1	2SC3354(S)	TR. SI, NPN
C205	CC45FCH1H220J	CAP. CERAMIC 22P 5% 50V	Q2	2SC3354(S)	TR. SI, NPN
C206	CE04EW1H010M	CAP. ELECTRO 1 20% 50V	Q3	2SC3354(S)	TR. SI, NPN
C207	CE04HW1E220M	CAP. ELECTRO 22 20% 25V	Q4	2SK332(E)	FET, N-CHANNEL
C208	CC45FSL1H471J	CAP. CERAMIC 470P 5% 50V	Q5	2SK332(E)	FET, N-CHANNEL
C209	CE04EW1C101M	CAP. ELECTRO 100 20% 16V	Q6	2SK332(E)	FET, N-CHANNEL
C210	CE04EW1C101M	CAP. ELECTRO 100 20% 16V	Q7	2SA1175(F)	TR. SI, PNP
C211	CE04EW1C101M	CAP. ELECTRO 100 20% 16V	Q8	2SA1175(F)	TR. SI, PNP
C212	CF92V1H104J	CAP. POLYESTER 0.1 5% 50V	Q9	2SA1175(F)	TR. SI, PNP
C213	CQ92FM1H104K	CAP. MYLAR 0.1 10% 50V	Q10	2SA1565	TR. SI, PNP
C214	CF92V1H103J	CAP. POLYESTER 0.01 5% 50V	Q11	2SA1565	TR. SI, PNP
C215	CF92V1H332J	CAP. POLYESTER 3300P 5% 50V	Q12	2SA1565	TR. SI, PNP
C216	CQ92FM1H103K	CAP. MYLAR 0.01 10% 50V	Q13	2SC2785(F)	TR. SI, NPN
C217	CF92V1H102J	CAP. POLYESTER 1000P 5% 50V	Q14	2SC2785(F)	TR. SI, NPN
C218	CF92V1H102J	CAP. POLYESTER 1000P 5% 50V	Q15	2SC2785(F)	TR. SI, NPN
C219	CF92V1H102J	CAP. POLYESTER 1000P 5% 50V	Q16	2SC2785(F)	TR. SI, NPN
C220	CF92V1H102J	CAP. POLYESTER 1000P 5% 50V	Q17	2SC2785(F)	TR. SI, NPN
C224	CE04EW1E330M	CAP. ELECTRO 33 20% 25V	Q18	2SC2785(F)	TR. SI, NPN
C225	CE04EW1E330M	CAP. ELECTRO 33 20% 25V	Q19	2SC2785(F)	TR. SI, NPN
C226	CQ92FM1H103K	CAP. MYLAR 0.01 10% 50V	Q20	2SC2785(F)	TR. SI, NPN
C227	CE04EW1E330M	CAP. ELECTRO 33 20% 25V	Q21	2SC2785(F)	TR. SI, NPN
C228	CE04EW1E330M	CAP. ELECTRO 33 20% 25V	Q22	2SC2785(F)	TR. SI, NPN
C229	CQ92FM1H103K	CAP. MYLAR 0.01 10% 50V	Q23	2SC2785(F)	TR. SI, NPN
C232	C91-1315-05	CAP. CERAMIC 0.1 80/-10% 50V	Q24	2SC2785(F)	TR. SI, NPN
C233	C91-1315-05	CAP. CERAMIC 0.1 80/-10% 50V	Q25	2SC2785(F)	TR. SI, NPN
C234	C91-1315-05	CAP. CERAMIC 0.1 80/-10% 50V	Q26	2SC2785(F)	TR. SI, NPN
C235	C91-1315-05	CAP. CERAMIC 0.1 80/-10% 50V	Q27	2SA1175(F)	TR. SI, PNP
C236	C91-1315-05	CAP. CERAMIC 0.1 80/-10% 50V	Q28	2SA1005(K)	TR. SI, PNP
C237	C91-1315-05	CAP. CERAMIC 0.1 80/-10% 50V	Q29	2SC2786(K)	TR. SI, NPN
C238	C91-1315-05	CAP. CERAMIC 0.1 80/-10% 50V	Q30	2SA1005(K)	TR. SI, PNP
C239	C91-1315-05	CAP. CERAMIC 0.1 80/-10% 50V	Q31	2SA1005(K)	TR. SI, PNP
C240	C91-1315-05	CAP. CERAMIC 0.1 80/-10% 50V	Q32	2SC2786(K)	TR. SI, NPN
C241	C91-1315-05	CAP. CERAMIC 0.1 80/-10% 50V	Q33	2SA1005(K)	TR. SI, PNP
C242	C91-1315-05	CAP. CERAMIC 0.1 80/-10% 50V	Q34	2SA1005(K)	TR. SI, PNP
C243	CC45FCH1H101J	CAP. CERAMIC 100P 5% 50V	Q35	2SC2786(K)	TR. SI, NPN
C244	CQ92FM1H102K	CAP. MYLAR 1000P 10% 50V	Q36	2SA1005(K)	TR. SI, PNP
D1	1SS132	DIODE	Q37	2SA1005(K)	TR. SI, PNP
D2	1SS132	DIODE	Q38		NO USE
D3	1SS132	DIODE	Q39	2SA1175(F)	TR. SI, PNP
D4	1SS132	DIODE	Q201	2SC2785(F)	TR. SI, NPN
D5	1SS132	DIODE	Q202	2SC2785(F)	TR. SI, NPN
D6	1SS132	DIODE	R4	RN14BK2C1004F	RES. METAL FILM 1M 1% 1/6W
D7	1SS132	DIODE	R5	RN14BK2C1004F	RES. METAL FILM 1M 1% 1/6W
D8	1SS132	DIODE	R6	RN14BK2C1004F	RES. METAL FILM 1M 1% 1/6W
D9	1SS132	DIODE	R10	RN14BK2C1004F	RES. METAL FILM 1M 1% 1/6W
D10	1SS132	DIODE	R11	RN14BK2C1004F	RES. METAL FILM 1M 1% 1/6W
D11	1SS132	DIODE	R12	RN14BK2C1004F	RES. METAL FILM 1M 1% 1/6W
D12	MTZ7.5JC	DIODE, ZENER 9.6V	R13	RD14BB2C104J	RES. CARBON 100K 5% 1/6W
D13	MTZ7.5JC	DIODE, ZENER 9.6V	R14	RD14BB2C104J	RES. CARBON 100K 5% 1/6W
D14	MTZ7.5JC	DIODE, ZENER 9.6V	R15	RD14BB2C104J	RES. CARBON 100K 5% 1/6W
D15	1SS132	DIODE	R16	RN14BK2C1000F	RES. METAL FILM 100 1% 1/6W
D16	1SS132	DIODE	R17	RN14BK2C1000F	RES. METAL FILM 100 1% 1/6W
D17	1SS132	DIODE	R18	RN14BK2C1000F	RES. METAL FILM 100 1% 1/6W
D201	1SS132	DIODE	R19	RN14BK2C1000F	RES. METAL FILM 100 1% 1/6W
D202	1SS132	DIODE	R20	RN14BK2C1000F	RES. METAL FILM 100 1% 1/6W
D203	MTZ6.2JB	DIODE, ZENER 12.23V	R21	RN14BK2C1000F	RES. METAL FILM 100 1% 1/6W
D204	MTZ6.2JB	DIODE, ZENER 12.23V	R22	RD14BB2C202J	RES. CARBON 2K 5% 1/6W
D205	1SS132	DIODE	R23	RD14BB2C202J	RES. CARBON 2K 5% 1/6W
D206	1SS132	DIODE			
D207	1SS132	DIODE			

# PARTS LIST

REF. NO	PARTS NO	NAME & DESCRIPTION
R24	RD14BB2C202J	RES. CARBON 2K 5% 1/6W
R28	RD14BB2C101J	RES. CARBON 100 5% 1/6W
R29	RD14BB2C101J	RES. CARBON 100 5% 1/6W
R30	RD14BB2C101J	RES. CARBON 100 5% 1/6W
R31	RD14BB2C101J	RES. CARBON 100 5% 1/6W
R32	RD14BB2C101J	RES. CARBON 100 5% 1/6W
R33	RD14BB2C101J	RES. CARBON 100 5% 1/6W
R34	RN14BK2C9100F	RES. METAL FILM 910 1% 1/6W
R35	RN14BK2C8200F	RES. METAL FILM 820 1% 1/6W
R36	RN14BK2C8200F	RES. METAL FILM 820 1% 1/6W
R37	RD14BB2C182J	RES. CARBON 1.8K 5% 1/6W
R38	RD14BB2C182J	RES. CARBON 1.8K 5% 1/6W
R39	RD14BB2C182J	RES. CARBON 1.8K 5% 1/6W
R40	RN14BK2C2201F	RES. METAL FILM 2.2K 1% 1/6W
R41	RN14BK2C3601F	RES. METAL FILM 3.6K 1% 1/6W
R42	RN14BK2C3601F	RES. METAL FILM 3.6K 1% 1/6W
R43	RN14BK2C3601F	RES. METAL FILM 3.6K 1% 1/6W
R44	RD14BB2C123J	RES. CARBON 12K 5% 1/6W
R45	RD14BB2C123J	RES. CARBON 12K 5% 1/6W
R46	RD14BB2C123J	RES. CARBON 12K 5% 1/6W
R47	RN14BK2C3601F	RES. METAL FILM 3.6K 1% 1/6W
R48	RD14BB2C203J	RES. CARBON 20K 5% 1/6W
R49	RD14BB2C203J	RES. CARBON 20K 5% 1/6W
R50	RD14BB2C203J	RES. CARBON 20K 5% 1/6W
R51	RD14BB2C203J	RES. CARBON 20K 5% 1/6W
R52	RD14BB2C203J	RES. CARBON 20K 5% 1/6W
R53	RD14BB2C203J	RES. CARBON 20K 5% 1/6W
R54	RD14BB2C203J	RES. CARBON 20K 5% 1/6W
R55	RD14BB2C470J	RES. CARBON 47 5% 1/6W
R56	RD14BB2C470J	RES. CARBON 47 5% 1/6W
R57	RD14BB2C470J	RES. CARBON 47 5% 1/6W
R58	RD14BB2C470J	RES. CARBON 47 5% 1/6W
R59	RD14BB2C470J	RES. CARBON 47 5% 1/6W
R60	RD14BB2C470J	RES. CARBON 47 5% 1/6W
R61	RD14BB2C470J	RES. CARBON 47 5% 1/6W
R62	RD14BB2C103J	RES. CARBON 10K 5% 1/6W
R63	RD14BB2C102J	RES. CARBON 1K 5% 1/6W
R64	RD14BB2C102J	RES. CARBON 1K 5% 1/6W
R65	RD14BB2C102J	RES. CARBON 1K 5% 1/6W
R66	RD14BB2C102J	RES. CARBON 1K 5% 1/6W
R67	RD14BB2C102J	RES. CARBON 1K 5% 1/6W
R68	RD14BB2C102J	RES. CARBON 1K 5% 1/6W
R69	RD14BB2C102J	RES. CARBON 1K 5% 1/6W
R77	RD14BB2C302J	RES. CARBON 3K 5% 1/6W
R78	RD14BB2C912J	RES. CARBON 9.1K 5% 1/6W
R79	RD14BB2C103J	RES. CARBON 10K 5% 1/6W
R80	RD14BB2C102J	RES. CARBON 1K 5% 1/6W
R81	RD14BB2C153J	RES. CARBON 15K 5% 1/6W
R82	RD14BB2C621J	RES. CARBON 620 5% 1/6W
R83	RD14BB2C562J	RES. CARBON 5.6K 5% 1/6W
R84	RD14BB2C622J	RES. CARBON 6.2K 5% 1/6W
R85	RD14BB2C302J	RES. CARBON 3K 5% 1/6W
R86	RD14BB2C100J	RES. CARBON 10 5% 1/6W
R87	RD14BB2C100J	RES. CARBON 10 5% 1/6W
R88	RN14BK2C1001F	RES. METAL FILM 1K 1% 1/6W
R89	R92-1479-05	RES. LINEAR PCT 1K 5% 1/6W
R90	RD14BB2C101J	RES. CARBON 100 5% 1/6W
R91	RD14BB2C101J	RES. CARBON 100 5% 1/6W
R92	NO USE	
R93	RD14BB2C302J	RES. CARBON 3K 5% 1/6W
R94	RD14BB2C912J	RES. CARBON 9.1K 5% 1/6W
R95	RD14BB2C103J	RES. CARBON 10K 5% 1/6W
R96	RD14BB2C182J	RES. CARBON 1.8K 5% 1/6W
R97	RD14BB2C103J	RES. CARBON 10K 5% 1/6W
R98	RD14BB2C621J	RES. CARBON 620 5% 1/6W
R99	RD14BB2C562J	RES. CARBON 5.6K 5% 1/6W
R100	RD14BB2C622J	RES. CARBON 6.2K 5% 1/6W
R101	RD14BB2C302J	RES. CARBON 3K 5% 1/6W
R102	RD14BB2C100J	RES. CARBON 10 5% 1/6W
R103	RD14BB2C100J	RES. CARBON 10 5% 1/6W
R104	RN14BK2C2001F	RES. METAL FILM 2K 1% 1/6W
R105	RD14BB2C101J	RES. CARBON 100 5% 1/6W
R106	RD14BB2C101J	RES. CARBON 100 5% 1/6W
R107	RD14BB2C102J	RES. CARBON 1K 5% 1/6W
R108	R90-0665-05	RES. NETWORK 7X10K
R201	RD14BB2C433J	RES. CARBON 43K 5% 1/6W
R202	RD14BB2C202J	RES. CARBON 2K 5% 1/6W
R203	RD14BB2C102J	RES. CARBON 1K 5% 1/6W
R204	RD14BB2C103J	RES. CARBON 10K 5% 1/6W
R205	RD14BB2C222J	RES. CARBON 2.2K 5% 1/6W
R206	RD14BB2C222J	RES. CARBON 2.2K 5% 1/6W
R207	RD14BB2C471J	RES. CARBON 470 5% 1/6W
R211	RD14BB2C331J	RES. CARBON 330 5% 1/6W

REF. NO	PARTS NO	NAME & DESCRIPTION
R212	RD14BB2C222J	RES. CARBON 2.2K 5% 1/6W
R213	RD14BB2C101J	RES. CARBON 100 5% 1/6W
R214	NO USE	
R215	RD14BB2C621J	RES. CARBON 620 5% 1/6W
R216	NO USE	
R217	RD14BB2C684J	RES. CARBON 680K 5% 1/6W
R218	RD14BB2C223J	RES. CARBON 22K 5% 1/6W
R219	RD14BB2C223J	RES. CARBON 22K 5% 1/6W
R220	RD14BB2C222J	RES. CARBON 2.2K 5% 1/6W
R221	RD14BB2C472J	RES. CARBON 4.7K 5% 1/6W
R222	RN14BK2C4301F	RES. METAL FILM 4.3K 1% 1/6W
R223	RN14BK2C4702F	RES. METAL FILM 47K 1% 1/6W
R224	RN14BK2C2701F	RES. METAL FILM 2.7K 1% 1/6W
R225	RN14BK2C5601F	RES. METAL FILM 5.6K 1% 1/6W
R226	RD14BB2C103J	RES. CARBON 10K 5% 1/6W
R227	NO USE	
R228	RD14BB2C103J	RES. CARBON 10K 5% 1/6W
R229	RD14BB2C103J	RES. CARBON 10K 5% 1/6W
R230	RD14BB2C103J	RES. CARBON 10K 5% 1/6W
R231	RD14BB2C103J	RES. CARBON 10K 5% 1/6W
R232	RD14BB2C103J	RES. CARBON 10K 5% 1/6W
R233	RD14BB2C432J	RES. CARBON 4.3K 5% 1/6W
R234	RD14BB2C332J	RES. CARBON 3.3K 5% 1/6W
R235	RD14BB2C303J	RES. CARBON 30K 5% 1/6W
R236	RD14BB2C201J	RES. CARBON 200 5% 1/6W
TC1	C05-0445-05	CAP. TRIMMER 20P
TC2	C05-0445-05	CAP. TRIMMER 20P
TC3	C05-0445-05	CAP. TRIMMER 20P
U201	NJM072BD	IC,JFET INPUT OP AMP
U202	NE592N8	IC,VIDEO AMPLIFIER
U203	LM1881N	IC,VIDEO SYNC SEPARATOR
U204	TC74HC4538AP	IC,DUAL MONOSTABLE MULTIVIBRAT
U205	NE555P	IC, TIMER
U206	TC74HC4538AP	IC,DUAL MONOSTABLE MULTIVIBRAT
U207	TC74HC4538AP	IC,DUAL MONOSTABLE MULTIVIBRAT
U208	TC74HC112AP	IC,DUAL J-K FF WITH PR. & CL.
U209	TC74HC00AP	IC,2-INPUT NAND GATE
U210	TC74HC00AP	IC,2-INPUT NAND GATE
U211	TC74HC00AP	IC,2-INPUT NAND GATE
U212	TC74HC00AP	IC,2-INPUT NAND GATE
U213	TC74HC04AP	IC,HEX INVERTER
VR1	R12-0573-05	RES. SEMI FIXED 200 B
VR2	R12-0573-05	RES. SEMI FIXED 200 B
VR3	R12-1543-05	RES. SEMI FIXED 1KB
VR201	R12-2521-05	RES. SEMI FIXED 5KB
VR202	R12-3547-05	RES. SEMI FIXED 10KB
W1	E38-0499-05	WIRE ASS'Y
W2	E38-0500-05	WIRE ASS'Y
W3	E38-0501-05	WIRE ASS'Y

## LINE FILTER & CRT UNIT

### X80-1320-00

REF. NO	PARTS NO	NAME & DESCRIPTION
E01	0103-05	CRT SOCKET
F01	0859-14	HEAT SINK
J21	4783-04	BRACKET,VR
J73	0064-13	PCB (UNMOUNTED)
N09	0623-04	SCREW,SENS PAN HD M3X8
C1	CE04EW1V330M	CAP. ELECTRO 33 20% 35V
C2	CE04EW2E010M	CAP. ELECTRO 1 20% 250V
C3	CE04EW1E220M	CAP. ELECTRO 22 20% 25V
C4	CK45FF1H103Z	CAP. CERAMIC 0.01 10% 50V
C5	CE04EW1E220M	CAP. ELECTRO 22 20% 25V
C6	CK45FF1H103Z	CAP. CERAMIC 0.01 10% 50V
C7	CE04EW1E470H	CAP. ELECTRO 47 20% 25V
C8	CE04EW1E470H	CAP. ELECTRO 47 20% 25V
C9	C91-0551-05	CAP. METALIZED 0.22 10% 630V
C10	C91-0575-05	CAP. CERAMIC 1000P 20% 4KV
C11	C91-0575-05	CAP. CERAMIC 1000P 20% 4KV
C12	CC45FCH2H0R5C	CAP. CERAMIC 0.5P 0.25P 500V
C13	CC45FCH2H0R5C	CAP. CERAMIC 0.5P 0.25P 500V
D1	MTZ24JC	DIODE, ZENER 23.72V
D2	B30-0957-05	LED (LN322GPT)
JP1	E31-2170-05	JUMPING WIRE
JP2	E31-2170-05	JUMPING WIRE
JP3	E31-2170-05	JUMPING WIRE
JP4	E31-2170-05	JUMPING WIRE



# PARTS LIST

REF. NO	PARTS NO	NAME & DESCRIPTION
JP5	E31-2170-05	JUMPING WIRE
JP6	E31-2170-05	JUMPING WIRE
JP7	E31-2170-05	JUMPING WIRE
JP8	E31-2170-05	JUMPING WIRE
L1	L33-0808-05	CHOKE COIL
P401	E40-0330-05	PIN CONNECTOR 3P
P402	E40-0330-05	PIN CONNECTOR 3P
P403	E40-3299-05	PIN CONNECTOR 2P
P404	E40-3301-05	PIN CONNECTOR 4P
P405	E40-3302-05	PIN CONNECTOR 5P
P406	E40-3299-05	PIN CONNECTOR 2P
P407	E40-3237-05	PIN CONNECTOR 2P
Q1	2SC1384(Q)	TR. S1, NPN
Q2	2SA684(Q)	TR. S1, PNP
Q3	2SD1666(S)	TR. S1, NPN
R1	RD14BB2C102J	RES. CARBON 1K 5% 1/6W
R2	RD14BB2C220J	RES. CARBON 22 5% 1/6W
R3	RD14BB2C102J	RES. CARBON 1K 5% 1/6W
R4	RD14BB2C101J	RES. CARBON 100 5% 1/6W
R5	RD14BB2C122J	RES. CARBON 1.2K 5% 1/6W
R6	RD14BY2H225J	RES. CARBON 2.2M 5% 1/2W
S1	S59-2505-05	POWER SWITCH
VR1	R10-7502-05	V. R. 2X500KB
VR2	R10-3506-05	V. R. 2X200KB
VR3	R05-3526-05	V. R. 2X200KB
W401	E38-0489-15	WIRE ASS'Y; P2, G2, IDS
W402	E38-0490-05	WIRE ASS'Y; HIGH VOLTAGE
W403	E38-0491-05	WIRE ASS'Y
W404	E38-0492-05	WIRE ASS'Y
W405	E38-0493-05	WIRE ASS'Y
W406	E38-0519-05	WIRE ASS'Y; AC
W407	E38-0520-05	WIRE ASS'Y; POWER LED

REF. NO	PARTS NO	NAME & DESCRIPTION
C42	CQ92FM1H103K	CAP. NYLAR 0.01 10% 50V
C43	CK45F1H103Z	CAP. CERAMIC 0.01 20% 50V
C44	CQ92FM1H103K	CAP. NYLAR 0.01 10% 50V
C45	CF92V1H103J	CAP. POLYESTER 0.01 5% 50V
C46	CE04EW1A101M	CAP. ELECTRO 100 20% 10V
C47	CC45CH1H330J	CAP. CERAMIC 33P 5% 50V
C48	CQ92M1H222K	CAP. NYLAR 2200P 10% 50V
C201	CF92V1H103J	CAP. POLYESTER 0.01 5% 50V
C202	NO USE	
C203	CQ92FM1H103K	CAP. NYLAR 0.01 10% 50V
C204	CM93BD2A270J	CAP. MICA 27P 5% 100V
C205	CM93BD2A820J	CAP. MICA 82P 5% 100V
C206	CM93BD2A271J	CAP. MICA 270P 5% 100V
C211	CQ92FM1H103K	CAP. NYLAR 0.01 10% 50V
C212	CF92V1H104J	CAP. POLYESTER 0.1 5% 50V
C213	CQ92FM1H102K	CAP. NYLAR 1000P 10% 50V
C214	CQ92FM1H103K	CAP. NYLAR 0.01 10% 50V
C215	CQ92FM1H103K	CAP. NYLAR 0.01 10% 50V
C216	CQ92FM1H103K	CAP. NYLAR 0.01 10% 50V
C217	CM93BD2A270J	CAP. MICA 27P 5% 100V
C218	CM93BD2A820J	CAP. MICA 82P 5% 100V
C219	CM93BD2A271J	CAP. MICA 270P 5% 100V
C224	CQ92FM1H103K	CAP. NYLAR 0.01 10% 50V
C225	CF92V1H104J	CAP. POLYESTER 0.1 5% 50V
C226	CQ92FM1H102K	CAP. NYLAR 1000P 10% 50V
C227	CQ92FM1H103K	CAP. NYLAR 0.01 10% 50V
C228	CQ92FM1H103K	CAP. NYLAR 0.01 10% 50V
C229	CF92V1H103J	CAP. POLYESTER 0.01 5% 50V
C230	CF92V1H103J	CAP. POLYESTER 0.01 5% 50V
C231	CM93BD2A470J	CAP. MICA 47P 5% 100V
C232	CQ92FM1H103K	CAP. NYLAR 0.01 10% 50V
C233	CC45FCH1H050C	CAP. CERAMIC 5P 0.25P 50V
C234	CQ92FM1H103K	CAP. NYLAR 0.01 10% 50V
C235	CQ92FM1H103K	CAP. NYLAR 0.01 10% 50V
C236	CF92V1H103J	CAP. POLYESTER 0.01 5% 50V
C237	CQ92FM1H102K	CAP. NYLAR 1000P 10% 50V
C238	CF92V1H103J	CAP. POLYESTER 0.01 5% 50V
C239	CQ92FM1H103K	CAP. NYLAR 0.01 10% 50V
C240	CF92V1H103J	CAP. POLYESTER 0.01 5% 50V
C241	CE04EW1C101M	CAP. ELECTRO 100 20% 16V

## CV-1250 DECODER UNIT

### X81-2970-00

REF. NO	PARTS NO	NAME & DESCRIPTION
C2	J73-0057-02	PCB (UNMOUNTED)
C3	CE04EW1C101M	CAP. ELECTRO 100 20% 16V
C4	CF92V1H102J	CAP. POLYESTER 1000P 5% 50V
C5	CF92V1H103J	CAP. POLYESTER 0.01 5% 50V
C6	CC45CH1H270J	CAP. CERAMIC 27P 5% 50V
C7	CC45CH1H820J	CAP. CERAMIC 82P 5% 50V
C8	CC45SL1H331J	CAP. CERAMIC 330P 5% 50V
C9	CE04EW1E100M	CAP. ELECTRO 10 20% 25V
C10	NO USE	
C11	CM93BD2A391J	CAP. MICA 390P 5% 100V
C12	CF92V1H823J	CAP. POLYESTER 0.082 5% 50V
C13	CQ92FM1H222K	CAP. NYLAR 2200P 10% 50V
C14	CF92V1H223J	CAP. POLYESTER 0.022 5% 50V
C15	CE04HW1H010M	CAP. ELECTRO 1 20% 50V
C16	CE04HW1H010M	CAP. ELECTRO 1 20% 50V
C17	CC45CH1H270J	CAP. CERAMIC 27P 5% 50V
C18	CC45CH1H820J	CAP. CERAMIC 82P 5% 50V
C19	CC45SL1H331J	CAP. CERAMIC 330P 5% 50V
C20	CE04EW1E100M	CAP. ELECTRO 10 20% 25V
C21	CE04BW1E220M	CAP. ELECTRO 22 20% 25V
C22	CM93BD2A391J	CAP. MICA 390P 5% 100V
C23	CF92V1H224J	CAP. POLYESTER 0.22 5% 50V
C24	CC45CH1H820J	CAP. CERAMIC 82P 5% 50V
C25	CC45FCH1H100D	CAP. CERAMIC 10P 0.5P 50V
C26	CM93BD2A391J	CAP. MICA 390P 5% 100V
C27	CM93BD2A391J	CAP. MICA 390P 5% 100V
C28	CQ92FM1H103K	CAP. NYLAR 0.01 10% 50V
C29	CF92V1H103J	CAP. POLYESTER 0.01 5% 50V
C30	CM93BD2A390J	CAP. MICA 39P 5% 100V
C31	CM93BD2A390J	CAP. MICA 39P 5% 100V
C32	CQ92FM1H103K	CAP. NYLAR 0.01 10% 50V
C33	CF92V1H103J	CAP. POLYESTER 0.01 5% 50V
C34	CF92V1H103J	CAP. POLYESTER 0.01 5% 50V
C35	CM93BD2A470J	CAP. MICA 47P 5% 100V
C36	CC45FCH1H100D	CAP. CERAMIC 10P 0.5P 50V
C37	CF92V1H103J	CAP. POLYESTER 0.01 5% 50V
C39	CF92V1H103J	CAP. POLYESTER 0.01 5% 50V
C40	CF92V1H103J	CAP. POLYESTER 0.01 5% 50V
C41	CF92V1H103J	CAP. POLYESTER 0.01 5% 50V

C301	CE04EW1E330M	CAP. ELECTRO 33 20% 25V
C302	CE04EW1E330M	CAP. ELECTRO 33 20% 25V
C303	NO USE	
C304	CE04EW1E330M	CAP. ELECTRO 33 20% 25V
C305	CE04EW1E330M	CAP. ELECTRO 33 20% 25V
C306	CE04EW1E330M	CAP. ELECTRO 33 20% 25V
C307	CE04EW1E330M	CAP. ELECTRO 33 20% 25V
C308	CE04EW1E330M	CAP. ELECTRO 33 20% 25V
C309	CE04EW1E330M	CAP. ELECTRO 33 20% 25V
C313	CE04EW1E330M	CAP. ELECTRO 33 20% 25V
C314	CE04EW1E330M	CAP. ELECTRO 33 20% 25V
C315	CQ92FM1H103K	CAP. NYLAR 0.01 10% 50V
C316	CQ92FM1H103K	CAP. NYLAR 0.01 10% 50V
C317	CQ92FM1H103K	CAP. NYLAR 0.01 10% 50V
C318	CQ92FM1H103K	CAP. NYLAR 0.01 10% 50V
C319	CQ92FM1H103K	CAP. NYLAR 0.01 10% 50V
C320	CQ92FM1H103K	CAP. NYLAR 0.01 10% 50V
C321	CQ92FM1H103K	CAP. NYLAR 0.01 10% 50V
C322	CQ92FM1H103K	CAP. NYLAR 0.01 10% 50V
C323	CE04EW1E330M	CAP. ELECTRO 33 20% 25V
C324	CE04EW1E330M	CAP. ELECTRO 33 20% 25V
C325	CQ92FM1H103K	CAP. NYLAR 0.01 10% 50V
C326	CQ92FM1H103K	CAP. NYLAR 0.01 10% 50V
C327	CQ92FM1H103K	CAP. NYLAR 0.01 10% 50V
C328	CQ92FM1H103K	CAP. NYLAR 0.01 10% 50V
C329	CE04EW1E330M	CAP. ELECTRO 33 20% 25V
C330	CE04EW1E330M	CAP. ELECTRO 33 20% 25V
C331	CQ92FM1H103K	CAP. NYLAR 0.01 10% 50V
C332	CQ92FM1H103K	CAP. NYLAR 0.01 10% 50V
C333	CQ92FM1H103K	CAP. NYLAR 0.01 10% 50V
C334	CQ92FM1H103K	CAP. NYLAR 0.01 10% 50V
C341	CE04EW1E330M	CAP. ELECTRO 33 20% 25V
C342	CE04EW1E330M	CAP. ELECTRO 33 20% 25V
C343	CQ92FM1H103K	CAP. NYLAR 0.01 10% 50V
C344	CQ92FM1H103K	CAP. NYLAR 0.01 10% 50V
C345	CE04EW1E330M	CAP. ELECTRO 33 20% 25V
C346	CE04EW1E330M	CAP. ELECTRO 33 20% 25V
C347	CQ92FM1H103K	CAP. NYLAR 0.01 10% 50V
C348	CQ92FM1H103K	CAP. NYLAR 0.01 10% 50V
C349	CE04EW1E330M	CAP. ELECTRO 33 20% 25V
C350	CE04EW1E330M	CAP. ELECTRO 33 20% 25V

# PARTS LIST

REF. NO	PARTS NO	NAME & DESCRIPTION	REF. NO	PARTS NO	NAME & DESCRIPTION
C351	CQ92FM1H103K	CAP. MYLAR 0.01 10% 50V	Q29	2SC2785(F)	TR. SI, NPN
C352	CQ92FM1H103K	CAP. MYLAR 0.01 10% 50V	Q30	2SA1175(F)	TR. SI, PNP
C353	CE04EW1E330H	CAP. ELECTRO 33 20% 25V	Q31	2SC2785(F)	TR. SI, NPN
C354	CE04EW1E330H	CAP. ELECTRO 33 20% 25V	Q201	2SC2785(F)	TR. SI, NPN
C355	CQ92FM1H103K	CAP. MYLAR 0.01 10% 50V	Q202	2SC3732(L)	TR. SI, NPN
C356	CQ92FM1H103K	CAP. MYLAR 0.01 10% 50V	Q203	2SC3732(L)	TR. SI, NPN
C357	CE04EW1E330H	CAP. ELECTRO 33 20% 25V	Q204	2SC3732(L)	TR. SI, NPN
C358	CE04EW1E330H	CAP. ELECTRO 33 20% 25V	Q205	2SC3732(L)	TR. SI, NPN
C359	CQ92FM1H103K	CAP. MYLAR 0.01 10% 50V	Q206	2SC3732(L)	TR. SI, NPN
C360	CQ92FM1H103K	CAP. MYLAR 0.01 10% 50V	Q207	2SC2785(F)	TR. SI, NPN
D1	1SS132	DIODE	Q208	2SA1175(F)	TR. SI, PNP
D2	1SS132	DIODE	Q209	2SC2785(F)	TR. SI, NPN
D3	1SS132	DIODE	Q210	2SA1175(F)	TR. SI, PNP
D4	1SS132	DIODE	Q211	2SA1175(F)	TR. SI, PNP
D5	1SS132	DIODE	Q212	2SC2785(F)	TR. SI, NPN
D6	1SV153A	DIODE	Q213	2SK404(F)	FET, N-CHANNEL
D7	1SS132	DIODE	Q214	2SA1175(F)	TR. SI, PNP
D8	MTZ5.1JB	DIODE, ZENER 5.07V	Q215	2SC2785(F)	TR. SI, NPN
D9	1SS132	DIODE	Q216	2SA1175(F)	TR. SI, PNP
D10	1SS132	DIODE	Q217	2SA1175(F)	TR. SI, PNP
D11	1SS132	DIODE	Q218	2SC2785(F)	TR. SI, NPN
D12	1SS132	DIODE	Q219	2SK404(F)	FET, N-CHANNEL
D13	1SS132	DIODE	Q220	2SC2785(F)	TR. SI, NPN
D201	1SS132	DIODE	Q221	2SK404(F)	FET, N-CHANNEL
JP1	R92-0150-05	JUMPING RES. ZERO OHM(10MM)	Q222	2SK404(F)	FET, N-CHANNEL
L1	L37-0055-05	MATCHING COIL	Q223	2SC2785(F)	TR. SI, NPN
L2	L40-3311-15	FERRI INDUCTOR 330UH 10%	Q224	2SA1175(F)	TR. SI, PNP
L3	L40-6811-15	FERRI INDUCTOR 380U 10%	Q225	2SA1175(F)	TR. SI, PNP
L4	L40-3311-15	FERRI INDUCTOR 330UH 10%	Q226	2SC2785(F)	TR. SI, NPN
L5	L40-6811-15	FERRI INDUCTOR 380U 10%	Q227	2SA1175(F)	TR. SI, PNP
L6	L37-0057-05	MATHCING COIL	Q228	2SA1175(F)	TR. SI, PNP
L201	L40-3311-15	FERRI INDUCTOR 330UH 10%	Q229	2SC2785(F)	TR. SI, NPN
L202	L40-6811-15	FERRI INDUCTOR 380U 10%	R1	RD14BB2C103J	RES. CARBON 10K 5% 1/6W
L203	L40-3311-15	FERRI INDUCTOR 330UH 10%	R2	RD14BB2C101J	RES. CARBON 100 5% 1/6W
L204	L40-6811-15	FERRI INDUCTOR 380U 10%	R3	RD14BB2C302J	RES. CARBON 3K 5% 1/6W
L301	L79-0526-05	NOISE FILTER	R4	RN14BK2C1001F	RES. METAL FILM 1K 1% 1/6W
L302	L79-0526-05	NOISE FILTER	R5	RD14BB2C512J	RES. CARBON 5.1K 5% 1/6W
L303	L79-0526-05	NOISE FILTER	R6	RD14BB2C162J	RES. CARBON 1.6K 5% 1/6W
L304	L79-0526-05	NOISE FILTER	R7	RD14BB2C361J	RES. CARBON 360 5% 1/6W
L305	L79-0526-05	NOISE FILTER	R8	RD14BB2C182J	RES. CARBON 1.8K 5% 1/6W
P13	E40-3237-05	PIN CONNECTOR 2P	R9	RD14BB2C432J	RES. CARBON 4.3K 5% 1/6W
P14	NO USE		R10	RN14BK2C5601F	RES. METAL FILM 5.6K 1% 1/6W
P15	E40-5067-05	PIN CONNECTOR 10P	R11	RD14BB2C302J	RES. CARBON 3K 5% 1/6W
P16	E40-3238-05	PIN CONNECTOR 3P	R12	RD14BB2C101J	RES. CARBON 100 5% 1/6W
P17	E40-3239-05	PIN CONNECTOR 4P	R13	RD14BB2C302J	RES. CARBON 3K 5% 1/6W
P18	E40-3237-05	PIN CONNECTOR 2P	R14	RD14BB2C471J	RES. CARBON 470 5% 1/6W
P19	E40-3239-05	PIN CONNECTOR 4P	R15	RD14BB2C471J	RES. CARBON 470 5% 1/6W
P20	E40-3237-05	PIN CONNECTOR 2P	R16	RD14BB2C471J	RES. CARBON 470 5% 1/6W
P21	E40-3237-05	PIN CONNECTOR 2P	R17	RD14BB2C102J	RES. CARBON 1K 5% 1/6W
P22	E40-3237-05	PIN CONNECTOR 2P	R18	RD14BB2C101J	RES. CARBON 100 5% 1/6W
P23	E40-3237-05	PIN CONNECTOR 2P	R19	RD14BB2C102J	RES. CARBON 1K 5% 1/6W
Q1	2SC2785(F)	TR. SI, NPN	R20	RD14BB2C472J	RES. CARBON 4.7K 5% 1/6W
Q2	2SC2785(F)	TR. SI, NPN	R21	RD14BB2C472J	RES. CARBON 4.7K 5% 1/6W
Q3	2SA1175(F)	TR. SI, PNP	R22	RD14BB2C511J	RES. CARBON 510 5% 1/6W
Q4	2SA1175(F)	TR. SI, PNP	R23	RD14BB2C682J	RES. CARBON 6.8K 5% 1/6W
Q5	2SC2785(F)	TR. SI, NPN	R24	RD14BB2C101J	RES. CARBON 100 5% 1/6W
Q6	2SC2785(F)	TR. SI, NPN	R25	RN14BK2C2201F	RES. METAL FILM 2.2K 1% 1/6W
Q7	2SC2785(F)	TR. SI, NPN	R26	RN14BK2C2201F	RES. METAL FILM 2.2K 1% 1/6W
Q8	NO USE		R27	RD14BB2C512J	RES. CARBON 5.1K 5% 1/6W
Q9	2SK404(F)	FET, N-CHANNEL	R28	RD14BB2C102J	RES. CARBON 1K 5% 1/6W
Q10	2SA1175(F)	TR. SI, PNP	R29	RN14BK2C1001F	RES. METAL FILM 1K 1% 1/6W
Q11	2SK583-KEN	FET, N-CHANNEL	R30	RN14BK2C9101F	RES. METAL FILM 9.1K 1% 1/6W
Q12	2SC2785(F)	TR. SI, NPN	R31	RD14BB2C102J	RES. CARBON 1K 5% 1/6W
Q13	2SA1175(F)	TR. SI, PNP	R32	RD14BB2C153J	RES. CARBON 15K 5% 1/6W
Q14	2SK583-KEN	FET, N-CHANNEL	R33	RD14BB2C102J	RES. CARBON 1K 5% 1/6W
Q15	2SK404(F)	FET, N-CHANNEL	R34	RD14BB2C512J	RES. CARBON 5.1K 5% 1/6W
Q16	2SC2785(F)	TR. SI, NPN	R35	RD14BB2C105J	RES. CARBON 1M 5% 1/6W
Q17	2SC3732(L)	TR. SI, NPN	R38	RD14BB2C123J	RES. CARBON 12K 5% 1/6W
Q18	2SC3732(L)	TR. SI, NPN	R39	RD14BB2C302J	RES. CARBON 3K 5% 1/6W
Q19	2SC2785(F)	TR. SI, NPN	R40	RD14BB2C101J	RES. CARBON 100 5% 1/6W
Q20	2SC2785(F)	TR. SI, NPN	R41	RD14BB2C222J	RES. CARBON 2.2K 5% 1/6W
Q21	2SC2785(F)	TR. SI, NPN	R42	RD14BB2C103J	RES. CARBON 10K 5% 1/6W
Q22	2SC2785(F)	TR. SI, NPN	R43	RD14BB2C105J	RES. CARBON 1M 5% 1/6W
Q23	2SC2785(F)	TR. SI, NPN	R44	RD14BB2C473J	RES. CARBON 47K 5% 1/6W
Q24	2SA1175(F)	TR. SI, PNP	R45	RD14BB2C822J	RES. CARBON 8.2K 5% 1/6W
Q25	2SC2785(F)	TR. SI, NPN	R46	RD14BB2C182J	RES. CARBON 1.8K 5% 1/6W
Q26	2SA1175(F)	TR. SI, PNP	R47	RD14BB2C333J	RES. CARBON 33K 5% 1/6W
Q27	2SC2785(F)	TR. SI, NPN	R48	E31-2170-05	JUMPING WIRE
Q28	2SA1175(F)	TR. SI, PNP	R49	RD14BB2C102J	RES. CARBON 1K 5% 1/6W
			R50	RD14BB2C101J	RES. CARBON 100 5% 1/6W
			R51	RD14BB2C102J	RES. CARBON 1K 5% 1/6W
			R52	RD14BB2C471J	RES. CARBON 470 5% 1/6W
			R53	RD14BB2C471J	RES. CARBON 470 5% 1/6W
			R54	RD14BB2C511J	RES. CARBON 510 5% 1/6W

# PARTS LIST

REF. NO	PARTS NO	NAME & DESCRIPTION	REF. NO	PARTS NO	NAME & DESCRIPTION
R55	RD14BB2C682J	RES. CARBON 6.8K 5% 1/6W	R216	RD14BB2C102J	RES. CARBON 1K 5% 1/6W
R56	RD14BB2C101J	RES. CARBON 100 5% 1/6W	R217	RD14BB2C302J	RES. CARBON 3K 5% 1/6W
R57	RN14BK2C2201F	RES. METAL FILM 2.2K 1% 1/6W	R218	RD14BB2C103J	RES. CARBON 10K 5% 1/6W
R58	RN14BK2C2201F	RES. METAL FILM 2.2K 1% 1/6W	R219	RD14BB2C101J	RES. CARBON 100 5% 1/6W
R59	RD14BB2C512J	RES. CARBON 5.1K 5% 1/6W	R220	RD14BB2C123J	RES. CARBON 12K 5% 1/6W
R60	RN14BK2C1001F	RES. METAL FILM 1K 1% 1/6W	R221	RD14BB2C392J	RES. CARBON 3.9K 5% 1/6W
R61	RN14BK2C3302F	RES. METAL FILM 33K 1% 1/6W	R222	RN14BK2C2201F	RES. METAL FILM 2.2K 1% 1/6W
R62	RD14BB2C102J	RES. CARBON 1K 5% 1/6W	R223	RN14BK2C2201F	RES. METAL FILM 2.2K 1% 1/6W
R63	RD14BB2C102J	RES. CARBON 1K 5% 1/6W	R224	RD14BB2C512J	RES. CARBON 5.1K 5% 1/6W
R64	RD14BB2C512J	RES. CARBON 5.1K 5% 1/6W	R225	RD14BB2C242J	RES. CARBON 2.4K 5% 1/6W
R65	RD14BB2C101J	RES. CARBON 100 5% 1/6W	R226	RD14BB2C621J	RES. CARBON 620 5% 1/6W
R66	RD14BB2C222J	RES. CARBON 2.2K 5% 1/6W	R227	RD14BB2C562J	RES. CARBON 5.6K 5% 1/6W
R67	RD14BB2C105J	RES. CARBON 1M 5% 1/6W	R228	RD14BB2C113J	RES. CARBON 11K 5% 1/6W
R68	RD14BB2C103J	RES. CARBON 10K 5% 1/6W	R229	RD14BB2C472J	RES. CARBON 4.7K 5% 1/6W
R69	RD14BB2C302J	RES. CARBON 3K 5% 1/6W	R230	RN14BK2C9101F	RES. METAL FILM 9.1K 1% 1/6W
R70	RD14BB2C102J	RES. CARBON 1K 5% 1/6W	R231	RD14BB2C302J	RES. CARBON 3K 5% 1/6W
R71	RD14BB2C133J	RES. CARBON 13K 5% 1/6W	R232	RD14BB2C102J	RES. CARBON 1K 5% 1/6W
R72	RD14BB2C113J	RES. CARBON 11K 5% 1/6W	R233	RD14BB2C220J	RES. CARBON 22 5% 1/6W
R73	RD14BB2C272J	RES. CARBON 2.7K 5% 1/6W	R234	RD14BB2C103J	RES. CARBON 10K 5% 1/6W
R74	RD14BB2C102J	RES. CARBON 1K 5% 1/6W	R235	RD14BB2C221J	RES. CARBON 220 5% 1/6W
R75	RD14BB2C163J	RES. CARBON 16K 5% 1/6W	R236	RD14BB2C301J	RES. CARBON 300 5% 1/6W
R76	RD14BB2C302J	RES. CARBON 3K 5% 1/6W	R237	RD14BB2C100J	RES. CARBON 10 5% 1/6W
R77	RD14BB2C912J	RES. CARBON 9.1K 5% 1/6W	R238	RD14BB2C123J	RES. CARBON 12K 5% 1/6W
R78	RN14BK2C3001F	RES. METAL FILM 3K 1% 1/6W	R239	RD14BB2C432J	RES. CARBON 4.3K 5% 1/6W
R79	RN14BK2C7503F	RES. METAL FILM 750K 1% 1/6W	R240	NO USE	
R80	RN14BK2C9101F	RES. METAL FILM 9.1K 1% 1/6W	R241	RD14BB2C150J	RES. CARBON 15 5% 1/6W
R81	RN14BK2C3001F	RES. METAL FILM 3K 1% 1/6W	R242	RD14BB2C242J	RES. CARBON 2.4K 5% 1/6W
R82	RD14BB2C103J	RES. CARBON 10K 5% 1/6W	R243	RD14BB2C103J	RES. CARBON 10K 5% 1/6W
R83	RD14BB2C103J	RES. CARBON 10K 5% 1/6W	R244	RD14BB2C752J	RES. CARBON 7.5K 5% 1/6W
R84	RD14BB2C104J	RES. CARBON 100K 5% 1/6W	R245	RD14BB2C471J	RES. CARBON 470 5% 1/6W
R85	RD14BB2C153J	RES. CARBON 15K 5% 1/6W	R246	RN14BK2C4701F	RES. METAL FILM 4.7K 1% 1/6W
R86	RD14BB2C101J	RES. CARBON 100 5% 1/6W	R247	RN14BK2C4701F	RES. METAL FILM 4.7K 1% 1/6W
R87	RD14BB2C472J	RES. CARBON 4.7K 5% 1/6W	R248	RD14BB2C102J	RES. CARBON 1K 5% 1/6W
R88	RD14BB2C102J	RES. CARBON 1K 5% 1/6W	R249	RD14BB2C101J	RES. CARBON 100 5% 1/6W
R89	RD14BB2C101J	RES. CARBON 100 5% 1/6W	R250	RD14BB2C102J	RES. CARBON 1K 5% 1/6W
R90	NO USE		R251	RD14BB2C471J	RES. CARBON 470 5% 1/6W
R91	RD14BB2C203J	RES. CARBON 20K 5% 1/6W	R252	RD14BB2C471J	RES. CARBON 470 5% 1/6W
R92	RD14BB2C101J	RES. CARBON 100 5% 1/6W	R253	RN14BK2C6801F	RES. METAL FILM 6.8K 1% 1/6W
R93	RD14BB2C222J	RES. CARBON 2.2K 5% 1/6W	R254	RN14BK2C5100F	RES. METAL FILM 510 1% 1/6W
R94	RD14BB2C222J	RES. CARBON 2.2K 5% 1/6W	R255	RD14BB2C101J	RES. CARBON 100 5% 1/6W
R95	RD14BB2C302J	RES. CARBON 3K 5% 1/6W	R256	RN14BK2C2201F	RES. METAL FILM 2.2K 1% 1/6W
R96	RD14BB2C152J	RES. CARBON 1.5K 5% 1/6W	R257	RN14BK2C2201F	RES. METAL FILM 2.2K 1% 1/6W
R97	RD14BB2C152J	RES. CARBON 1.5K 5% 1/6W	R258	RD14BB2C512J	RES. CARBON 5.1K 5% 1/6W
R98	RD14BB2C302J	RES. CARBON 3K 5% 1/6W	R259	RD14BB2C242J	RES. CARBON 2.4K 5% 1/6W
R99	RD14BB2C302J	RES. CARBON 3K 5% 1/6W	R260	RD14BB2C621J	RES. CARBON 620 5% 1/6W
R100	RD14BB2C152J	RES. CARBON 1.5K 5% 1/6W	R261	RD14BB2C562J	RES. CARBON 5.6K 5% 1/6W
R101	RD14BB2C101J	RES. CARBON 100 5% 1/6W	R262	RD14BB2C113J	RES. CARBON 11K 5% 1/6W
R102	RD14BB2C152J	RES. CARBON 1.5K 5% 1/6W	R263	RD14BB2C472J	RES. CARBON 4.7K 5% 1/6W
R103	RD14BB2C152J	RES. CARBON 1.5K 5% 1/6W	R264	RN14BK2C9101F	RES. METAL FILM 9.1K 1% 1/6W
R104	RD14BB2C152J	RES. CARBON 1.5K 5% 1/6W	R265	RD14BB2C302J	RES. CARBON 3K 5% 1/6W
R105	RD14BB2C102J	RES. CARBON 1K 5% 1/6W	R266	RD14BB2C102J	RES. CARBON 1K 5% 1/6W
R106	RD14BB2C101J	RES. CARBON 100 5% 1/6W	R267	RD14BB2C220J	RES. CARBON 22 5% 1/6W
R107	RD14BB2C302J	RES. CARBON 3K 5% 1/6W	R268	RD14BB2C103J	RES. CARBON 10K 5% 1/6W
R108	NO USE		R269	RD14BB2C221J	RES. CARBON 220 5% 1/6W
R109	RD14BB2C102J	RES. CARBON 1K 5% 1/6W	R270	RD14BB2C301J	RES. CARBON 300 5% 1/6W
R110	RD14BB2C101J	RES. CARBON 100 5% 1/6W	R271	RD14BB2C100J	RES. CARBON 10 5% 1/6W
R111	RD14BB2C302J	RES. CARBON 3K 5% 1/6W	R272	RD14BB2C123J	RES. CARBON 12K 5% 1/6W
R112	RD14BB2C101J	RES. CARBON 100 5% 1/6W	R273	RD14BB2C432J	RES. CARBON 4.3K 5% 1/6W
R113	RD14BB2C302J	RES. CARBON 3K 5% 1/6W	R274	NO USE	
R114	RD14BB2C101J	RES. CARBON 100 5% 1/6W	R275	RD14BB2C150J	RES. CARBON 15 5% 1/6W
R115	RD14BB2C681J	RES. CARBON 680 5% 1/6W	R276	RD14BB2C242J	RES. CARBON 2.4K 5% 1/6W
R116	RD14BB2C472J	RES. CARBON 4.7K 5% 1/6W	R277	RD14BB2C103J	RES. CARBON 10K 5% 1/6W
R117	RD14BB2C472J	RES. CARBON 4.7K 5% 1/6W	R278	RD14BB2C752J	RES. CARBON 7.5K 5% 1/6W
R118	NO USE		R279	RD14BB2C103J	RES. CARBON 10K 5% 1/6W
R119	RD14BB2C102J	RES. CARBON 1K 5% 1/6W	R280	RD14BB2C101J	RES. CARBON 100 5% 1/6W
R122	RD14BB2C101J	RES. CARBON 100 5% 1/6W	R281	RD14BB2C472J	RES. CARBON 4.7K 5% 1/6W
R123	RD14BB2C302J	RES. CARBON 3K 5% 1/6W	R282	RN14BK2C4700F	RES. METAL FILM 470 1% 1/6W
R124	RD14BB2C471J	RES. CARBON 470 5% 1/6W	R283	RD14BB2C101J	RES. CARBON 100 5% 1/6W
R125	RD14BB2C472J	RES. CARBON 4.7K 5% 1/6W	R284	RD14BB2C101J	RES. CARBON 100 5% 1/6W
R126	RD14BB2C472J	RES. CARBON 4.7K 5% 1/6W	R285	RD14BB2C222J	RES. CARBON 2.2K 5% 1/6W
R127	RD14BB2C102J	RES. CARBON 1K 5% 1/6W	R286	RD14BB2C101J	RES. CARBON 100 5% 1/6W
R202	RD14BB2C101J	RES. CARBON 100 5% 1/6W	R287	RN14BK2C1001F	RES. METAL FILM 1K 1% 1/6W
R203	RD14BB2C302J	RES. CARBON 3K 5% 1/6W	R288	RD14BB2C512J	RES. CARBON 5.1K 5% 1/6W
R204	RD14BB2C102J	RES. CARBON 1K 5% 1/6W	R289	RD14BB2C432J	RES. CARBON 4.3K 5% 1/6W
R205	RD14BB2C101J	RES. CARBON 100 5% 1/6W	R290	RD14BB2C122J	RES. CARBON 1.2K 5% 1/6W
R206	RD14BB2C102J	RES. CARBON 1K 5% 1/6W	R291	RD14BB2C621J	RES. CARBON 620 5% 1/6W
R207	RD14BB2C471J	RES. CARBON 470 5% 1/6W	R292	RD14BB2C302J	RES. CARBON 3K 5% 1/6W
R208	RD14BB2C471J	RES. CARBON 470 5% 1/6W	R293	RD14BB2C562J	RES. CARBON 5.6K 5% 1/6W
R209	RN14BK2C6801F	RES. METAL FILM 6.8K 1% 1/6W	R294	RD14BB2C622J	RES. CARBON 6.2K 5% 1/6W
R210	RN14BK2C5100F	RES. METAL FILM 510 1% 1/6W	R295	RD14BB2C302J	RES. CARBON 3K 5% 1/6W
R211	RN14BK2C2003F	RES. METAL FILM 200K 1% 1/6W	R296	RN14BK2C1001F	RES. METAL FILM 1K 1% 1/6W
R212	RD14BB2C101J	RES. CARBON 100 5% 1/6W	R297	RD14BB2C822J	RES. CARBON 8.2K 5% 1/6W
R213	RD14BB2C122J	RES. CARBON 1.2K 5% 1/6W	R298	RD14BB2C392J	RES. CARBON 3.9K 5% 1/6W
R214	RD14BB2C242J	RES. CARBON 2.4K 5% 1/6W	R299	RD14BB2C432J	RES. CARBON 4.3K 5% 1/6W
R215	RD14BB2C163J	RES. CARBON 16K 5% 1/6W	R300	RD14BB2C103J	RES. CARBON 10K 5% 1/6W
R216	RD14BB2C102J	RES. CARBON 1K 5% 1/6W	R301	RD14BB2C102J	RES. CARBON 1K 5% 1/6W
R217	RD14BB2C302J	RES. CARBON 3K 5% 1/6W	R302	RD14BB2C471J	RES. CARBON 470 5% 1/6W

# PARTS LIST

REF. NO	PARTS NO	NAME & DESCRIPTION
R303	RD14BB2C101J	RES. CARBON 100 5% 1/6W
R304	RD14BB2C302J	RES. CARBON 3K 5% 1/6W
R305	RD14BB2C471J	RES. CARBON 470 5% 1/6W
R306	RN14BK2C4701F	RES. METAL FILM 4.7K 1% 1/6W
R307	RN14BK2C4701F	RES. METAL FILM 4.7K 1% 1/6W
R308	RD14BB2C103J	RES. CARBON 10K 5% 1/6W
R309	RD14BB2C202J	RES. CARBON 2K 5% 1/6W
TC1	C05-0416-05	CAP. TRIMMER 10P
TP1	E23-0563-05	TEST PIN
TP2	E23-0563-05	TEST PIN
TP3	E23-0563-05	TEST PIN
TP4	NO USE	
TP5	E23-0563-05	TEST PIN
U1	NJM2233BD	IC, 2-INPUT SINGLE VIDEO SWITCH
U2	MC1496P	IC, BALANCED MODEN
U3	LF357N	IC, WIDE BAND DECOMPENSATED
U4	NO USE	
U5	NJM072BD	IC, JFET INPUT OP AMP
U6	MC1496P	IC, BALANCED MODEN
U7	LF357N	IC, WIDE BAND DECOMPENSATED
U201	MC1496P	IC, BALANCED MODEN
U202	MC1496P	IC, BALANCED MODEN
U203	CA3080E	IC, OP TRANSDUCTANCE AMP
U204	CA3080E	IC, OP TRANSDUCTANCE AMP
U205	NJM4558D	IC, DUAL OP AMP
U206	NJM2233BD	IC, 2-INPUT SINGLE VIDEO SWITCH
U207	NJM4558D	IC, DUAL OP AMP
VR1	R12-3548-05	RES. SEMI FIXED 20KB
VR2	R12-1544-05	RES. SEMI FIXED 2KB
VR201	R12-0574-05	RES. SEMI FIXED 500 B
VR202	R12-5528-05	RES. SEMI FIXED 100KB
VR203	R12-0574-05	RES. SEMI FIXED 500 B
VR204	R12-0574-05	RES. SEMI FIXED 500 B
X1	L77-1073-05	CRYSTAL RESONATOR (3.58MHZ)

## CV-1255 DECODER UNIT

### X81-2970-01

REF. NO	PARTS NO	NAME & DESCRIPTION
	J73-0057-02	PCB (UNKNOWN)
C2	CE04EW1C101H	CAP. ELECTRO 100 20% 16V
C3	CF92V1H102J	CAP. POLYESTER 1000P 5% 50V
C4	CF92V1H103J	CAP. POLYESTER 0.01 5% 50V
C5	CC45CH1H270J	CAP. CERAMIC 27P 5% 50V
C6	CC45CH1H820J	CAP. CERAMIC 82P 5% 50V
C7	CC45SL1H331J	CAP. CERAMIC 330P 5% 50V
C8	CE04EW1E100H	CAP. ELECTRO 10 20% 25V
C9	NO USE	
C10	CH93BD2A391J	CAP. NICA 390P 5% 100V
C11	CF92V1H823J	CAP. POLYESTER 0.082 5% 50V
C12	CQ92FM1H222K	CAP. NYLAR 2200P 10% 50V
C13	CF92V1H223J	CAP. POLYESTER 0.022 5% 50V
C14	CE04HW1H010H	CAP. ELECTRO 1 20% 50V
C15	CE04HW1H010H	CAP. ELECTRO 1 20% 50V
C16	CC45CH1H270J	CAP. CERAMIC 27P 5% 50V
C17	CC45CH1H820J	CAP. CERAMIC 82P 5% 50V
C18	CC45SL1H331J	CAP. CERAMIC 330P 5% 50V
C19	CE04EW1E100H	CAP. ELECTRO 10 20% 25V
C20	CE04BW1E220H	CAP. ELECTRO 22 20% 25V
C21	CM93BD2A391J	CAP. NICA 390P 5% 100V
C22	CF92V1H224J	CAP. POLYESTER 0.22 5% 50V
C23	CC45CH1H820J	CAP. CERAMIC 82P 5% 50V
C24	CC45FCH1H100D	CAP. CERAMIC 10P 0.5P 50V
C25	CM93BD2A391J	CAP. NICA 390P 5% 100V
C26	CM93BD2A391J	CAP. NICA 390P 5% 100V
C27	CQ92FM1H103K	CAP. NYLAR 0.01 10% 50V
C28	CF92V1H103J	CAP. POLYESTER 0.01 5% 50V
C29	CM93BD2A330J	CAP. NICA 33P 5% 100V
C30	CM93BD2A330J	CAP. NICA 33P 5% 100V
C31	CQ92FM1H103K	CAP. NYLAR 0.01 10% 50V
C32	CF92V1H103J	CAP. POLYESTER 0.01 5% 50V
C33	CF92V1H103J	CAP. POLYESTER 0.01 5% 50V
C34	CM93BD2A390J	CAP. NICA 39P 5% 100V
C35	CC45FCH1H100D	CAP. CERAMIC 10P 0.5P 50V
C36	CF92V1H103J	CAP. POLYESTER 0.01 5% 50V
C39	CF92V1H103J	CAP. POLYESTER 0.01 5% 50V

REF. NO	PARTS NO	NAME & DESCRIPTION
C40	CF92V1H103J	CAP. POLYESTER 0.01 5% 50V
C41	CF92V1H103J	CAP. POLYESTER 0.01 5% 50V
C42	CQ92FM1H103K	CAP. NYLAR 0.01 10% 50V
C43	CK45F1H103Z	CAP. CERAMIC 0.01 20% 50V
C44	CQ92FM1H103K	CAP. NYLAR 0.01 10% 50V
C45	CF92V1H103J	CAP. POLYESTER 0.01 5% 50V
C46	CE04EW1A101M	CAP. ELECTRO 100 20% 10V
C47	CC45CH1H330J	CAP. CERAMIC 33P 5% 50V
C48	CQ92M1H222K	CAP. NYLAR 2200P 10% 50V
C201	CF92V1H103J	CAP. POLYESTER 0.01 5% 50V
C202	NO USE	
C203	CQ92FM1H103K	CAP. NYLAR 0.01 10% 50V
C204	CM93BD2A270J	CAP. NICA 27P 5% 100V
C205	CM93BD2A820J	CAP. NICA 82P 5% 100V
C206	CM93BD2A271J	CAP. NICA 270P 5% 100V
C211	CQ92FM1H103K	CAP. NYLAR 0.01 10% 50V
C212	CF92V1H104J	CAP. POLYESTER 0.1 5% 50V
C213	CQ92FM1H102K	CAP. NYLAR 1000P 10% 50V
C214	CQ92FM1H103K	CAP. NYLAR 0.01 10% 50V
C215	CQ92FM1H103K	CAP. NYLAR 0.01 10% 50V
C216	CQ92FM1H103K	CAP. NYLAR 0.01 10% 50V
C217	CM93BD2A270J	CAP. NICA 27P 5% 100V
C218	CM93BD2A820J	CAP. NICA 82P 5% 100V
C219	CM93BD2A271J	CAP. NICA 270P 5% 100V
C224	CQ92FM1H103K	CAP. NYLAR 0.01 10% 50V
C225	CF92V1H104J	CAP. POLYESTER 0.1 5% 50V
C226	CQ92FM1H102K	CAP. NYLAR 1000P 10% 50V
C227	CQ92FM1H103K	CAP. NYLAR 0.01 10% 50V
C228	CQ92FM1H103K	CAP. NYLAR 0.01 10% 50V
C229	CF92V1H103J	CAP. POLYESTER 0.01 5% 50V
C230	CF92V1H103J	CAP. POLYESTER 0.01 5% 50V
C231	CM93BD2A390J	CAP. NICA 39P 5% 100V
C232	CQ92FM1H103K	CAP. NYLAR 0.01 10% 50V
C233	CC45FCH1H050C	CAP. CERAMIC 5P 0.25P 50V
C234	CQ92FM1H103K	CAP. NYLAR 0.01 10% 50V
C235	CQ92FM1H103K	CAP. NYLAR 0.01 10% 50V
C236	CF92V1H103J	CAP. POLYESTER 0.01 5% 50V
C237	CQ92FM1H102K	CAP. NYLAR 1000P 10% 50V
C238	CF92V1H103J	CAP. POLYESTER 0.01 5% 50V
C239	CQ92FM1H103K	CAP. NYLAR 0.01 10% 50V
C240	CF92V1H103J	CAP. POLYESTER 0.01 5% 50V
C241	CE04EW1C101M	CAP. ELECTRO 100 20% 16V
C301	CE04EW1E330H	CAP. ELECTRO 33 20% 25V
C302	CE04EW1E330H	CAP. ELECTRO 33 20% 25V
C303	NO USE	
C304	CE04EW1E330H	CAP. ELECTRO 33 20% 25V
C305	CE04EW1E330H	CAP. ELECTRO 33 20% 25V
C306	CE04EW1E330H	CAP. ELECTRO 33 20% 25V
C307	CE04EW1E330H	CAP. ELECTRO 33 20% 25V
C308	CE04EW1E330H	CAP. ELECTRO 33 20% 25V
C309	CE04EW1E330H	CAP. ELECTRO 33 20% 25V
C313	CE04EW1E330H	CAP. ELECTRO 33 20% 25V
C314	CE04EW1E330H	CAP. ELECTRO 33 20% 25V
C315	CQ92FM1H103K	CAP. NYLAR 0.01 10% 50V
C316	CQ92FM1H103K	CAP. NYLAR 0.01 10% 50V
C317	NO USE	
C318	CQ92FM1H103K	CAP. NYLAR 0.01 10% 50V
C319	CQ92FM1H103K	CAP. NYLAR 0.01 10% 50V
C320	CQ92FM1H103K	CAP. NYLAR 0.01 10% 50V
C321	CQ92FM1H103K	CAP. NYLAR 0.01 10% 50V
C322	CQ92FM1H103K	CAP. NYLAR 0.01 10% 50V
C323	CE04EW1E330H	CAP. ELECTRO 33 20% 25V
C324	CE04EW1E330H	CAP. ELECTRO 33 20% 25V
C325	CQ92FM1H103K	CAP. NYLAR 0.01 10% 50V
C326	CQ92FM1H103K	CAP. NYLAR 0.01 10% 50V
C327	NO USE	
C328	CQ92FM1H103K	CAP. NYLAR 0.01 10% 50V
C329	CE04EW1E330H	CAP. ELECTRO 33 20% 25V
C330	CE04EW1E330H	CAP. ELECTRO 33 20% 25V
C331	CQ92FM1H103K	CAP. NYLAR 0.01 10% 50V
C332	CQ92FM1H103K	CAP. NYLAR 0.01 10% 50V
C333	CQ92FM1H103K	CAP. NYLAR 0.01 10% 50V
C334	CQ92FM1H103K	CAP. NYLAR 0.01 10% 50V
C341	CE04EW1E330H	CAP. ELECTRO 33 20% 25V
C342	CE04EW1E330H	CAP. ELECTRO 33 20% 25V
C343	CQ92FM1H103K	CAP. NYLAR 0.01 10% 50V
C344	CQ92FM1H103K	CAP. NYLAR 0.01 10% 50V
C345	CE04EW1E330H	CAP. ELECTRO 33 20% 25V
C346	CE04EW1E330H	CAP. ELECTRO 33 20% 25V
C347	CQ92FM1H103K	CAP. NYLAR 0.01 10% 50V
C348	CQ92FM1H103K	CAP. NYLAR 0.01 10% 50V

# PARTS LIST

REF. NO	PARTS NO	NAME & DESCRIPTION	REF. NO	PARTS NO	NAME & DESCRIPTION
C349	CE04EW1E330M	CAP. ELECTRO 33 20% 25V	Q27	2SC2785(F)	TR. SI, NPN
C350	CE04EW1E330M	CAP. ELECTRO 33 20% 25V	Q28	2SA1175(F)	TR. SI, PNP
C351	CQ92FM1H103K	CAP. MYLAR 0.01 10% 50V	Q29	2SC2785(F)	TR. SI, NPN
C352	CQ92FM1H103K	CAP. MYLAR 0.01 10% 50V	Q30	2SA1175(F)	TR. SI, PNP
C353	CE041EW1E330M		Q31	2SC2785(F)	TR. SI, NPN
C354	CE041EW1E330M		Q201	2SC2785(F)	TR. SI, NPN
C355	CQ92FM1H103K	CAP. MYLAR 0.01 10% 50V	Q202	2SC3732(L)	TR. SI, NPN
C356	CQ92FM1H103K	CAP. MYLAR 0.01 10% 50V	Q203	2SC3732(L)	TR. SI, NPN
C357	CE041EW1E330M		Q204	2SC3732(L)	TR. SI, NPN
C358	CE041EW1E330M		Q205	2SC3732(L)	TR. SI, NPN
C359	CQ92FM1H103K	CAP. MYLAR 0.01 10% 50V	Q206	2SC3732(L)	TR. SI, NPN
C360	CQ92FM1H103K	CAP. MYLAR 0.01 10% 50V	Q207	2SC2785(F)	TR. SI, NPN
D1	1SS132	DIODE	Q208	2SA1175(F)	TR. SI, PNP
D2	1SS132	DIODE	Q209	2SC2785(F)	TR. SI, NPN
D3	1SS132	DIODE	Q210	2SA1175(F)	TR. SI, PNP
D4	1SS132	DIODE	Q211	2SA1175(F)	TR. SI, PNP
D5	1SS132	DIODE	Q212	2SC2785(F)	TR. SI, NPN
D6	1SV153A	DIODE	Q213	2SK404(F)	FET, N-CHANNEL
D7	1SS132	DIODE	Q214	2SA1175(F)	TR. SI, PNP
D8	MTZ5.1JB	DIODE, ZENER 5.07V	Q215	2SC2785(F)	TR. SI, NPN
D9	1SS132	DIODE	Q216	2SA1175(F)	TR. SI, PNP
D10	1SS132	DIODE	Q217	2SA1175(F)	TR. SI, PNP
D11	1SS132	DIODE	Q218	2SC2785(F)	TR. SI, NPN
D12	1SS132	DIODE	Q219	2SK404(F)	FET, N-CHANNEL
D13	1SS132	DIODE	Q220	2SC2785(F)	TR. SI, NPN
D201	1SS132	DIODE	Q221	2SK404(F)	FET, N-CHANNEL
JP1	R92-0150-05	JUMPING RES. ZERO OHM(10MH)	Q222	2SK404(F)	FET, N-CHANNEL
L1	L37-0054-05	MATCHING COIL	Q223	2SC2785(F)	TR. SI, NPN
L2	L40-3311-15	FERRI INDUCTOR 330UH 10%	Q224	2SA1175(F)	TR. SI, PNP
L3	L40-6811-15	FERRI INDUCTOR 380U 10%	Q225	2SA1175(F)	TR. SI, PNP
L4	L40-3311-15	FERRI INDUCTOR 330UH 10%	Q226	2SC2785(F)	TR. SI, NPN
L5	L40-6811-15	FERRI INDUCTOR 380U 10%	Q227	2SA1175(F)	TR. SI, PNP
L6	L37-0053-05	MATCHING COIL	Q228	2SA1175(F)	TR. SI, PNP
L201	L40-3311-15	FERRI INDUCTOR 330UH 10%	Q229	2SC2785(F)	TR. SI, NPN
L202	L40-6811-15	FERRI INDUCTOR 380U 10%	R1	RD14BB2C103J	RES. CARBON 10K 5% 1/6W
L203	L40-3311-15	FERRI INDUCTOR 330UH 10%	R2	RD14BB2C101J	RES. CARBON 100 5% 1/6W
L204	L40-6811-15	FERRI INDUCTOR 380U 10%	R3	RD14BB2C302J	RES. CARBON 3K 5% 1/6W
L301	L79-0526-05	NOISE FILTER	R4	RN14BK2C1001F	RES. METAL FILM 1K 1% 1/6W
L302	L79-0526-05	NOISE FILTER	R5	RD14BB2C512J	RES. CARBON 5.1K 5% 1/6W
L303	L79-0526-05	NOISE FILTER	R6	RD14BB2C162J	RES. CARBON 1.6K 5% 1/6W
L304	L79-0526-05	NOISE FILTER	R7	RD14BB2C361J	RES. CARBON 360 5% 1/6W
L305	L79-0526-05	NOISE FILTER	R8	NO USE	
P13	E40-3237-05	PIN CONNECTOR 2P	R9	RD14BB2C432J	RES. CARBON 4.3K 5% 1/6W
P14	NO USE		R10	RN14BK2C5601F	RES. METAL FILM 5.6K 1% 1/6W
P15	E40-5067-05	PIN CONNECTOR 10P	R11	RD14BB2C302J	RES. CARBON 3K 5% 1/6W
P16	E40-3238-05	PIN CONNECTOR 3P	R12	RD14BB2C101J	RES. CARBON 100 5% 1/6W
P17	E40-3239-05	PIN CONNECTOR 4P	R13	RD14BB2C302J	RES. CARBON 3K 5% 1/6W
P18	E40-3237-05	PIN CONNECTOR 2P	R14	RD14BB2C471J	RES. CARBON 470 5% 1/6W
P19	E40-3239-05	PIN CONNECTOR 4P	R15	RD14BB2C471J	RES. CARBON 470 5% 1/6W
P20	E40-3237-05	PIN CONNECTOR 2P	R16	RD14BB2C471J	RES. CARBON 470 5% 1/6W
P21	E40-3237-05	PIN CONNECTOR 2P	R17	RD14BB2C102J	RES. CARBON 1K 5% 1/6W
P22	E40-3237-05	PIN CONNECTOR 2P	R18	RD14BB2C101J	RES. CARBON 100 5% 1/6W
P23	E40-3237-05	PIN CONNECTOR 2P	R19	RD14BB2C102J	RES. CARBON 1K 5% 1/6W
Q1	2SC2785(F)	TR. SI, NPN	R20	RD14BB2C472J	RES. CARBON 4.7K 5% 1/6W
Q2	2SC2785(F)	TR. SI, NPN	R21	RD14BB2C472J	RES. CARBON 4.7K 5% 1/6W
Q3	2SA1175(F)	TR. SI, PNP	R22	RD14BB2C511J	RES. CARBON 510 5% 1/6W
Q4	2SA1175(F)	TR. SI, PNP	R23	RD14BB2C682J	RES. CARBON 6.8K 5% 1/6W
Q5	2SC2785(F)	TR. SI, NPN	R24	RD14BB2C101J	RES. CARBON 100 5% 1/6W
Q6	2SC2785(F)	TR. SI, NPN	R25	RN14BK2C2201F	RES. METAL FILM 2.2K 1% 1/6W
Q7	2SC2785(F)	TR. SI, NPN	R26	RN14BK2C2201F	RES. METAL FILM 2.2K 1% 1/6W
Q8	NO USE		R27	RD14BB2C512J	RES. CARBON 5.1K 5% 1/6W
Q9	2SK404(F)	FET, N-CHANNEL	R28	RD14BB2C102J	RES. CARBON 1K 5% 1/6W
Q10	2SA1175(F)	TR. SI, PNP	R29	RN14BK2C1001F	RES. METAL FILM 1K 1% 1/6W
Q11	2SK583-KEN	FET, N-CHANNEL	R30	RN14BK2C9101F	RES. METAL FILM 9.1K 1% 1/6W
Q12	2SC2785(F)	TR. SI, NPN	R31	RD14BB2C102J	RES. CARBON 1K 5% 1/6W
Q13	2SA1175(F)	TR. SI, PNP	R32	RD14BB2C153J	RES. CARBON 15K 5% 1/6W
Q14	2SK583-KEN	FET, N-CHANNEL	R33	RD14BB2C102J	RES. CARBON 1K 5% 1/6W
Q15	2SK404(F)	FET, N-CHANNEL	R34	RD14BB2C512J	RES. CARBON 5.1K 5% 1/6W
Q16	2SC2785(F)	TR. SI, NPN	R35	RD14BB2C105J	RES. CARBON 1M 5% 1/6W
Q17	2SC3732(L)	TR. SI, NPN	R38	RD14BB2C123J	RES. CARBON 12K 5% 1/6W
Q18	2SC3732(L)	TR. SI, NPN	R39	RD14BB2C302J	RES. CARBON 3K 5% 1/6W
Q19	2SC2785(F)	TR. SI, NPN	R40	RD14BB2C101J	RES. CARBON 100 5% 1/6W
Q20	2SC2785(F)	TR. SI, NPN	R41	RD14BB2C222J	RES. CARBON 2.2K 5% 1/6W
Q21	2SC2785(F)	TR. SI, NPN	R42	RD14BB2C103J	RES. CARBON 10K 5% 1/6W
Q22	2SC2785(F)	TR. SI, NPN	R43	RD14BB2C105J	RES. CARBON 1M 5% 1/6W
Q23	2SC2785(F)	TR. SI, NPN	R44	RD14BB2C473J	RES. CARBON 47K 5% 1/6W
Q24	2SA1175(F)	TR. SI, PNP	R45	RD14BB2C822J	RES. CARBON 8.2K 5% 1/6W
Q25	2SC2785(F)	TR. SI, NPN	R46	RD14BB2C182J	RES. CARBON 1.8K 5% 1/6W
Q26	2SA1175(F)	TR. SI, PNP	R47	RD14BB2C333J	RES. CARBON 33K 5% 1/6W
			R48	E31-2170-05	JUMPING WIRE
			R49	RD14BB2C102J	RES. CARBON 1K 5% 1/6W
			R50	RD14BB2C101J	RES. CARBON 100 5% 1/6W
			R51	RD14BB2C102J	RES. CARBON 1K 5% 1/6W
			R52	RD14BB2C471J	RES. CARBON 470 5% 1/6W



# PARTS LIST

REF. NO	PARTS NO	NAME & DESCRIPTION			
R53	RD14BB2C471J	RES. CARBON	470	5%	1/6W
R54	RD14BB2C511J	RES. CARBON	510	5%	1/6W
R55	RD14BB2C682J	RES. CARBON	6.8K	5%	1/6W
R56	RD14BB2C101J	RES. CARBON	100	5%	1/6W
R57	RN14BK2C2201F	RES. METAL FILM	2.2K	1%	1/6W
R58	RN14BK2C2201F	RES. METAL FILM	2.2K	1%	1/6W
R59	RD14BB2C512J	RES. CARBON	5.1K	5%	1/6W
R60	RN14BK2C1001F	RES. METAL FILM	1K	1%	1/6W
R61	RN14BK2C3302F	RES. METAL FILM	33K	1%	1/6W
R62	RD14BB2C102J	RES. CARBON	1K	5%	1/6W
R63	RD14BB2C102J	RES. CARBON	1K	5%	1/6W
R64	RD14BB2C512J	RES. CARBON	5.1K	5%	1/6W
R65	RD14BB2C101J	RES. CARBON	100	5%	1/6W
R66	RD14BB2C222J	RES. CARBON	2.2K	5%	1/6W
R67	RD14BB2C105J	RES. CARBON	1M	5%	1/6W
R68	RD14BB2C103J	RES. CARBON	10K	5%	1/6W
R69	RD14BB2C302J	RES. CARBON	3K	5%	1/6W
R70	RD14BB2C102J	RES. CARBON	1K	5%	1/6W
R71	RD14BB2C133J	RES. CARBON	13K	5%	1/6W
R72	RD14BB2C113J	RES. CARBON	11K	5%	1/6W
R73	RD14BB2C272J	RES. CARBON	2.7K	5%	1/6W
R74	RD14BB2C102J	RES. CARBON	1K	5%	1/6W
R75	RD14BB2C163J	RES. CARBON	16K	5%	1/6W
R76	RD14BB2C302J	RES. CARBON	3K	5%	1/6W
R77	RD14BB2C912J	RES. CARBON	9.1K	5%	1/6W
R78	RN14BK2C3001F	RES. METAL FILM	3K	1%	1/6W
R79	RN14BK2C7503F	RES. METAL FILM	750K	1%	1/6W
R80	RN14BK2C9101F	RES. METAL FILM	9.1K	1%	1/6W
R81	RN14BK2C3001F	RES. METAL FILM	3K	1%	1/6W
R82	RD14BB2C103J	RES. CARBON	10K	5%	1/6W
R83	RD14BB2C103J	RES. CARBON	10K	5%	1/6W
R84	RD14BB2C104J	RES. CARBON	100K	5%	1/6W
R85	RD14BB2C153J	RES. CARBON	15K	5%	1/6W
R86	RD14BB2C101J	RES. CARBON	100	5%	1/6W
R87	RD14BB2C472J	RES. CARBON	4.7K	5%	1/6W
R88	RD14BB2C102J	RES. CARBON	1K	5%	1/6W
R89	RD14BB2C101J	RES. CARBON	100	5%	1/6W
R90	NO USE				
R91	RD14BB2C203J	RES. CARBON	20K	5%	1/6W
R92	RD14BB2C101J	RES. CARBON	100	5%	1/6W
R93	RD14BB2C222J	RES. CARBON	2.2K	5%	1/6W
R94	RD14BB2C222J	RES. CARBON	2.2K	5%	1/6W
R95	RD14BB2C302J	RES. CARBON	3K	5%	1/6W
R96	RD14BB2C152J	RES. CARBON	1.5K	5%	1/6W
R97	RD14BB2C152J	RES. CARBON	1.5K	5%	1/6W
R98	RD14BB2C302J	RES. CARBON	3K	5%	1/6W
R99	RD14BB2C302J	RES. CARBON	3K	5%	1/6W
R100	RD14BB2C152J	RES. CARBON	1.5K	5%	1/6W
R101	RD14BB2C101J	RES. CARBON	100	5%	1/6W
R102	RD14BB2C152J	RES. CARBON	1.5K	5%	1/6W
R103	RD14BB2C152J	RES. CARBON	1.5K	5%	1/6W
R104	RD14BB2C152J	RES. CARBON	1.5K	5%	1/6W
R105	RD14BB2C102J	RES. CARBON	1K	5%	1/6W
R106	RD14BB2C101J	RES. CARBON	100	5%	1/6W
R107	RD14BB2C302J	RES. CARBON	3K	5%	1/6W
R108	NO USE				
R109	RD14BB2C102J	RES. CARBON	1K	5%	1/6W
R110	RD14BB2C101J	RES. CARBON	100	5%	1/6W
R111	RD14BB2C302J	RES. CARBON	3K	5%	1/6W
R112	RD14BB2C101J	RES. CARBON	100	5%	1/6W
R113	RD14BB2C302J	RES. CARBON	3K	5%	1/6W
R114	RD14BB2C101J	RES. CARBON	100	5%	1/6W
R115	RD14BB2C681J	RES. CARBON	680	5%	1/6W
R116	RD14BB2C472J	RES. CARBON	4.7K	5%	1/6W
R117	RD14BB2C472J	RES. CARBON	4.7K	5%	1/6W
R118	RD14BB2C182J	RES. CARBON	1.8K	5%	1/6W
R119	RD14BB2C102J	RES. CARBON	1K	5%	1/6W
R122	RD14BB2C101J	RES. CARBON	100	5%	1/6W
R123	RD14BB2C302J	RES. CARBON	3K	5%	1/6W
R124	RD14BB2C471J	RES. CARBON	470	5%	1/6W
R125	RD14BB2C472J	RES. CARBON	4.7K	5%	1/6W
R126	RD14BB2C472J	RES. CARBON	4.7K	5%	1/6W
R127	RD14BB2C102J	RES. CARBON	1K	5%	1/6W
R202	RD14BB2C101J	RES. CARBON	100	5%	1/6W
R203	RD14BB2C302J	RES. CARBON	3K	5%	1/6W
R204	RD14BB2C102J	RES. CARBON	1K	5%	1/6W
R205	RD14BB2C101J	RES. CARBON	100	5%	1/6W
R206	RD14BB2C102J	RES. CARBON	1K	5%	1/6W
R207	RD14BB2C471J	RES. CARBON	470	5%	1/6W
R208	RD14BB2C471J	RES. CARBON	470	5%	1/6W
R209	RN14BK2C6801F	RES. METAL FILM	6.8K	1%	1/6W
R210	RN14BK2C5100F	RES. METAL FILM	510	1%	1/6W
R211	RN14BK2C2003F	RES. METAL FILM	200K	1%	1/6W
R212	RD14BB2C101J	RES. CARBON	100	5%	1/6W
R213	RD14BB2C122J	RES. CARBON	1.2K	5%	1/6W

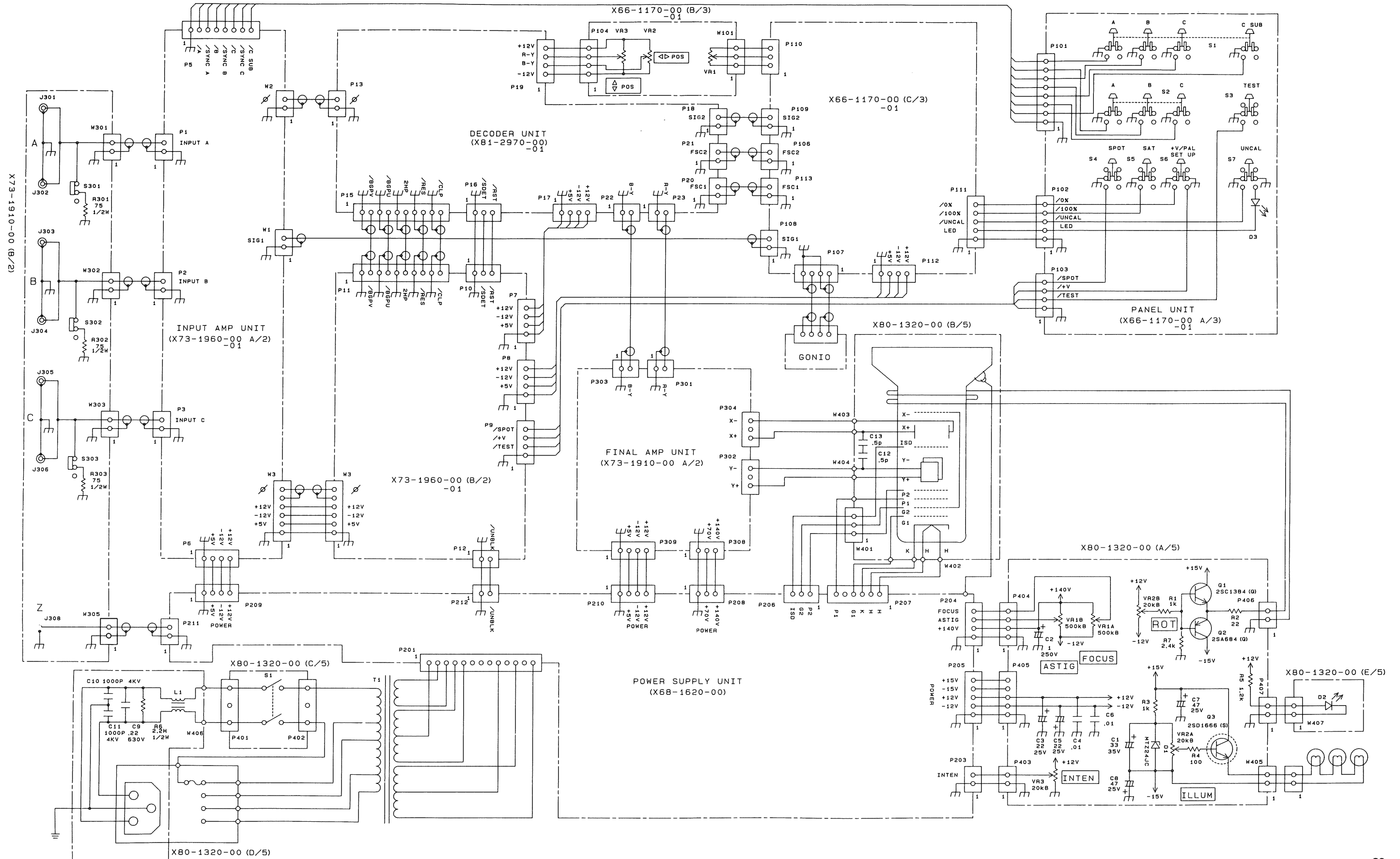
REF. NO	PARTS NO	NAME & DESCRIPTION			
R214	RD14BB2C242J	RES. CARBON	2.4K	5%	1/6W
R215	RD14BB2C163J	RES. CARBON	16K	5%	1/6W
R216	RD14BB2C102J	RES. CARBON	1K	5%	1/6W
R217	RD14BB2C302J	RES. CARBON	3K	5%	1/6W
R218	RD14BB2C103J	RES. CARBON	10K	5%	1/6W
R219	RD14BB2C101J	RES. CARBON	100	5%	1/6W
R220	RD14BB2C123J	RES. CARBON	12K	5%	1/6W
R221	RD14BB2C392J	RES. CARBON	3.9K	5%	1/6W
R222	RN14BK2C2201F	RES. METAL FILM	2.2K	1%	1/6W
R223	RN14BK2C2201F	RES. METAL FILM	2.2K	1%	1/6W
R224	RD14BB2C512J	RES. CARBON	5.1K	5%	1/6W
R225	RD14BB2C242J	RES. CARBON	2.4K	5%	1/6W
R226	RD14BB2C621J	RES. CARBON	620	5%	1/6W
R227	RD14BB2C562J	RES. CARBON	5.6K	5%	1/6W
R228	RD14BB2C113J	RES. CARBON	11K	5%	1/6W
R229	RD14BB2C472J	RES. CARBON	4.7K	5%	1/6W
R230	RN14BK2C9101F	RES. METAL FILM	9.1K	1%	1/6W
R231	RD14BB2C302J	RES. CARBON	3K	5%	1/6W
R232	RD14BB2C102J	RES. CARBON	1K	5%	1/6W
R233	RD14BB2C220J	RES. CARBON	22	5%	1/6W
R234	RD14BB2C103J	RES. CARBON	10K	5%	1/6W
R235	RD14BB2C221J	RES. CARBON	220	5%	1/6W
R236	RD14BB2C301J	RES. CARBON	300	5%	1/6W
R237	RD14BB2C100J	RES. CARBON	10	5%	1/6W
R238	RD14BB2C123J	RES. CARBON	12K	5%	1/6W
R239	RD14BB2C432J	RES. CARBON	4.3K	5%	1/6W
R240	NO USE				
R241	RD14BB2C150J	RES. CARBON	15	5%	1/6W
R242	RD14BB2C242J	RES. CARBON	2.4K	5%	1/6W
R243	RD14BB2C103J	RES. CARBON	10K	5%	1/6W
R244	RD14BB2C752J	RES. CARBON	7.5K	5%	1/6W
R245	RD14BB2C471J	RES. CARBON	470	5%	1/6W
R246	RN14BK2C4701F	RES. METAL FILM	4.7K	1%	1/6W
R247	RN14BK2C4701F	RES. METAL FILM	4.7K	1%	1/6W
R248	RD14BB2C102J	RES. CARBON	1K	5%	1/6W
R249	RD14BB2C101J	RES. CARBON	100	5%	1/6W
R250	RD14BB2C102J	RES. CARBON	1K	5%	1/6W
R251	RD14BB2C471J	RES. CARBON	470	5%	1/6W
R252	RD14BB2C471J	RES. CARBON	470	5%	1/6W
R253	RN14BK2C6801F	RES. METAL FILM	6.8K	1%	1/6W
R254	RN14BK2C5100F	RES. METAL FILM	510	1%	1/6W
R255	RD14BB2C101J	RES. CARBON	100	5%	1/6W
R256	RN14BK2C2201F	RES. METAL FILM	2.2K	1%	1/6W
R257	RN14BK2C2201F	RES. METAL FILM	2.2K	1%	1/6W
R258	RD14BB2C512J	RES. CARBON	5.1K	5%	1/6W
R259	RD14BB2C242J	RES. CARBON	2.4K	5%	1/6W
R260	RD14BB2C621J	RES. CARBON	620	5%	1/6W
R261	RD14BB2C562J	RES. CARBON	5.6K	5%	1/6W
R262	RD14BB2C113J	RES. CARBON	11K	5%	1/6W
R263	RD14BB2C472J	RES. CARBON	4.7K	5%	1/6W
R264	RN14BK2C9101F	RES. METAL FILM	9.1K	1%	1/6W
R265	RD14BB2C302J	RES. CARBON	3K	5%	1/6W
R266	RD14BB2C102J	RES. CARBON	1K	5%	1/6W
R267	RD14BB2C220J	RES. CARBON	22	5%	1/6W
R268	RD14BB2C103J	RES. CARBON	10K	5%	1/6W
R269	RD14BB2C221J	RES. CARBON	220	5%	1/6W
R270	RD14BB2C301J	RES. CARBON	300	5%	1/6W
R271	RD14BB2C100J	RES. CARBON	10	5%	1/6W
R272	RD14BB2C123J	RES. CARBON	12K	5%	1/6W
R273	RD14BB2C432J	RES. CARBON	4.3K	5%	1/6W
R274	NO USE				
R275	RD14BB2C150J	RES. CARBON	15	5%	1/6W
R276	RD14BB2C242J	RES. CARBON	2.4K	5%	1/6W
R277	RD14BB2C103J	RES. CARBON	10K	5%	1/6W
R278	RD14BB2C752J	RES. CARBON	7.5K	5%	1/6W
R279	RD14BB2C103J	RES. CARBON	10K	5%	1/6W
R280	RD14BB2C101J	RES. CARBON	100	5%	1/6W
R281	RD14BB2C472J	RES. CARBON	4.7K	5%	1/6W
R282	RN14BK2C4700F	RES. METAL FILM	470	1%	1/6W
R283	RD14BB2C101J	RES. CARBON	100	5%	1/6W
R284	RD14BB2C101J	RES. CARBON	100	5%	1/6W
R285	RD14BB2C222J	RES. CARBON	2.2K	5%	1/6W
R286	RD14BB2C101J	RES. CARBON	100	5%	1/6W
R287	RN14BK2C1001F	RES. METAL FILM	1K	1%	1/6W
R288	RD14BB2C512J	RES. CARBON	5.1K	5%	1/6W
R289	RD14BB2C432J	RES. CARBON	4.3K	5%	1/6W
R290	RD14BB2C122J	RES. CARBON	1.2K	5%	1/6W
R291	RD14BB2C621J	RES. CARBON	620	5%	1/6W
R292	RD14BB2C302J	RES. CARBON	3K	5%	1/6W
R293	RD14BB2C562J	RES. CARBON	5.6K	5%	1/6W
R294	RD14BB2C622J	RES. CARBON	6.2K	5%	1/6W
R295	RD14BB2C302J	RES. CARBON	3K	5%	1/6W
R296	RN14BK2C1001F	RES. METAL FILM	1K	1%	1/6W
R297	RD14BB2C822J	RES. CARBON	8.2K	5%	1/6W
R298	RD14BB2C392J	RES. CARBON	3.9K	5%	1/6W
R299	RD14BB2C432J	RES. CARBON	4.3K	5%	1/6W
R300	RD14BB2C103J	RES. CARBON	10K	5%	1/6W

# PARTS LIST

REF. NO	PARTS NO	NAME & DESCRIPTION
R301	RD14BB2C102J	RES. CARBON 1K 5% 1/6W
R302	RD14BB2C471J	RES. CARBON 470 5% 1/6W
R303	RD14BB2C101J	RES. CARBON 100 5% 1/6W
R304	RD14BB2C302J	RES. CARBON 3K 5% 1/6W
R305	RD14BB2C471J	RES. CARBON 470 5% 1/6W
R306	RN14BK2C4701F	RES. METAL FILM 4.7K 1% 1/6W
R307	RN14BK2C4701F	RES. METAL FILM 4.7K 1% 1/6W
R308	RD14BB2C103J	RES. CARBON 10K 5% 1/6W
R309	RD14BB2C202J	RES. CARBON 2K 5% 1/6W
TC1	C05-0416-05	CAP. TRIMMER 10P
TP1	E23-0563-05	TEST PIN
TP2	E23-0563-05	TEST PIN
TP3	E23-0563-05	TEST PIN
TP4	NO USE	
TP5	E23-0563-05	TEST PIN
U1	NJM2233BD	IC,2-INPUT SINGLE VIDEO SWITCH
U2	MC1496P	IC,BALANCED MODEM
U3	LF357N	IC,WIDE BAND DECOMPENSATED
U4	LM311N	IC,VOLTAGE COMPARATOR
U5	NJM072BD	IC,JFET INPUT OP AMP
U6	MC1496P	IC,BALANCED MODEM
U7	LF357N	IC,WIDE BAND DECOMPENSATED
U201	MC1496P	IC,BALANCED MODEM
U202	MC1496P	IC,BALANCED MODEM
U203	CA3080E	IC,OP TRANSCONDUCTANCE AMP
U204	CA3080E	IC,OP TRANSCONDUCTANCE AMP
U205	NJM4558D	IC,DUAL OP AMP
U206	NJM2233BD	IC,2-INPUT SINGLE VIDEO SWITCH
U207	NJM4558D	IC,DUAL OP AMP
VR1	R12-3548-05	RES. SEMI FIXED 20KB
VR2	R12-1544-05	RES. SEMI FIXED 2KB
VR201	R12-0574-05	RES. SEMI FIXED 500 B
VR202	R12-5528-05	RES. SEMI FIXED 100KB
VR203	R12-0574-05	RES. SEMI FIXED 500 B
VR204	R12-0574-05	RES. SEMI FIXED 500 B
X1	L77-1074-05	CRYSTAL RESONATOR (4.43MHZ)

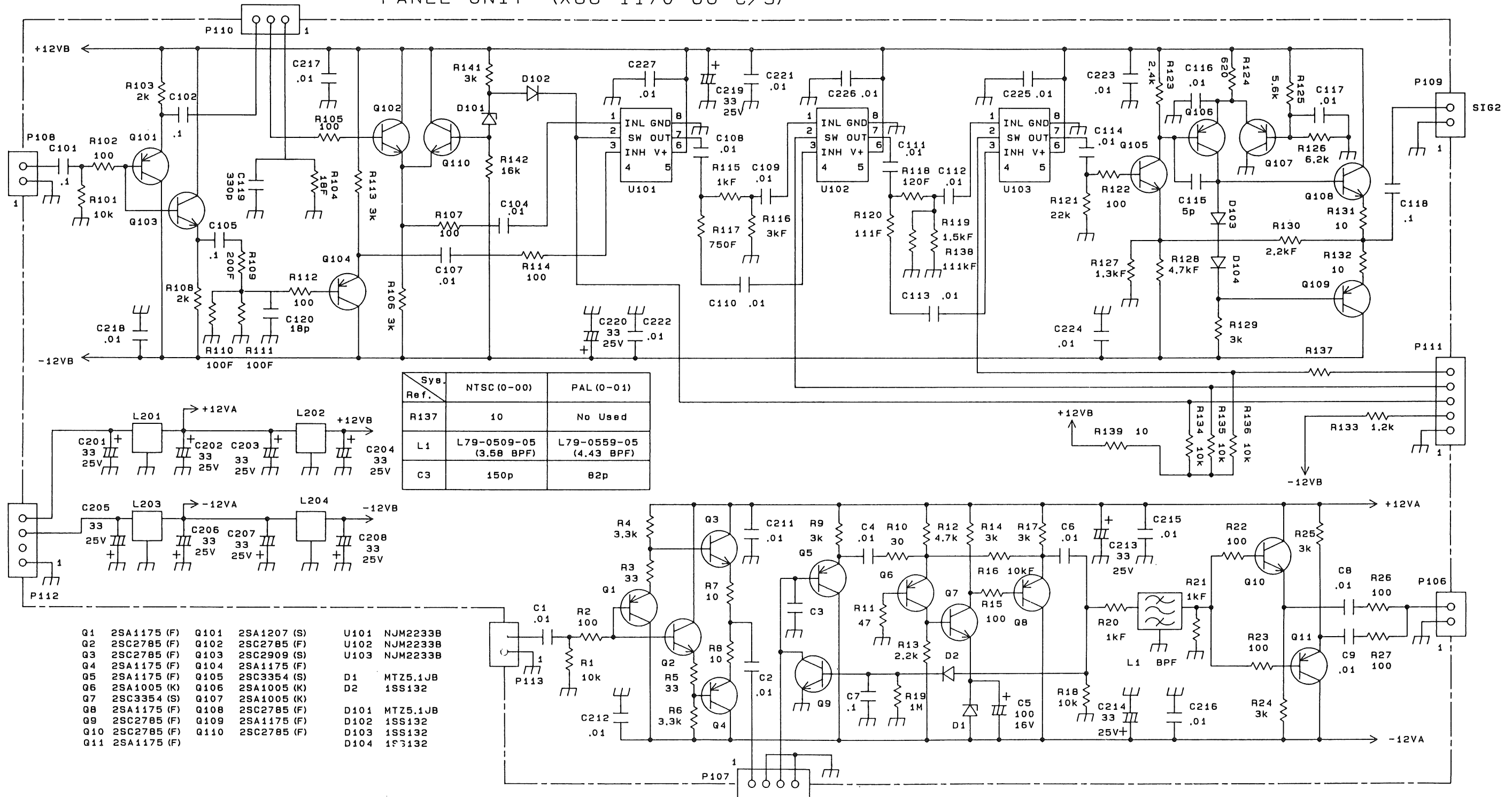


# SCHEMATIC DIAGRAM



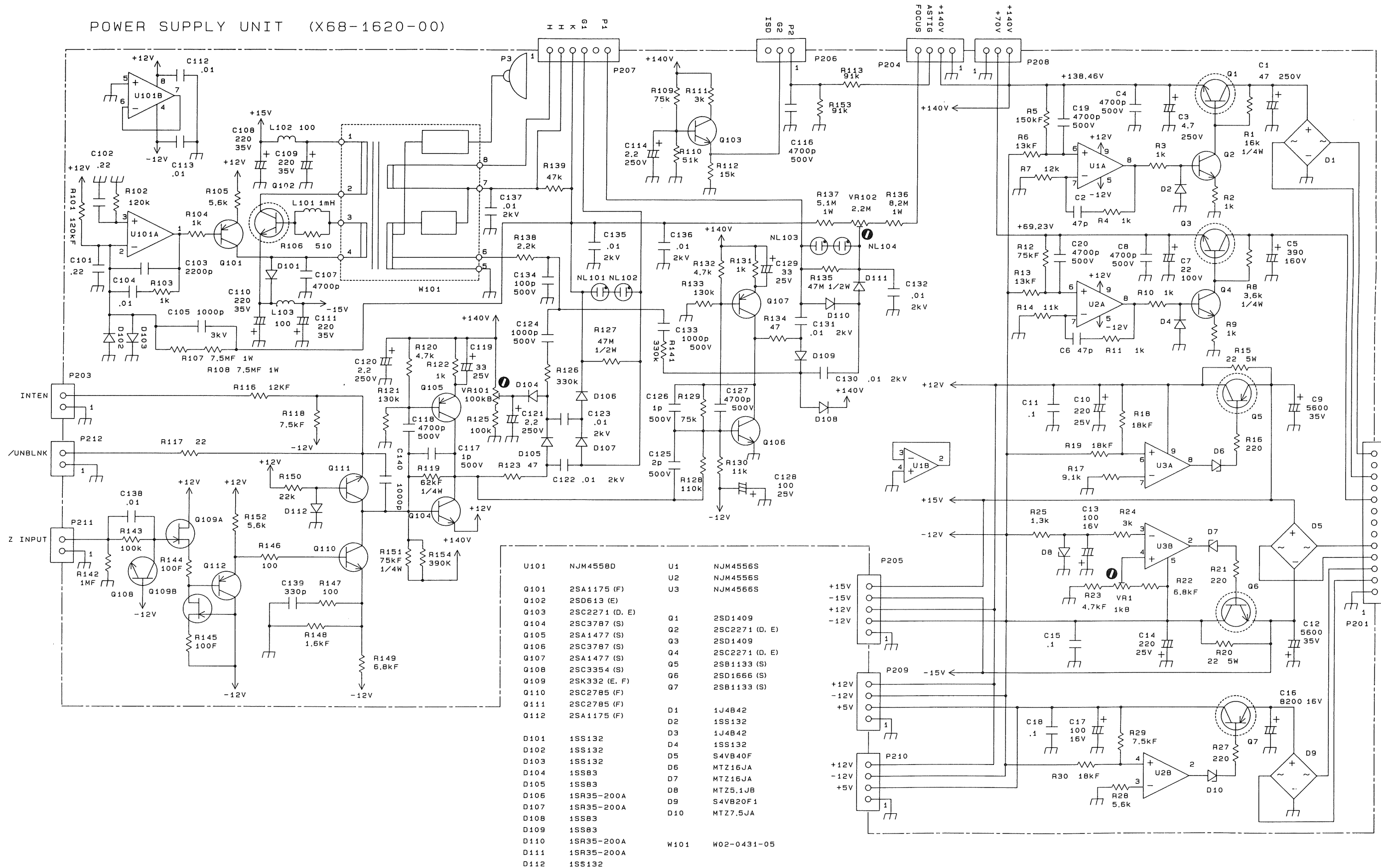
# SCHEMATIC DIAGRAM

PANEL UNIT (X66-1170-00 C/3)



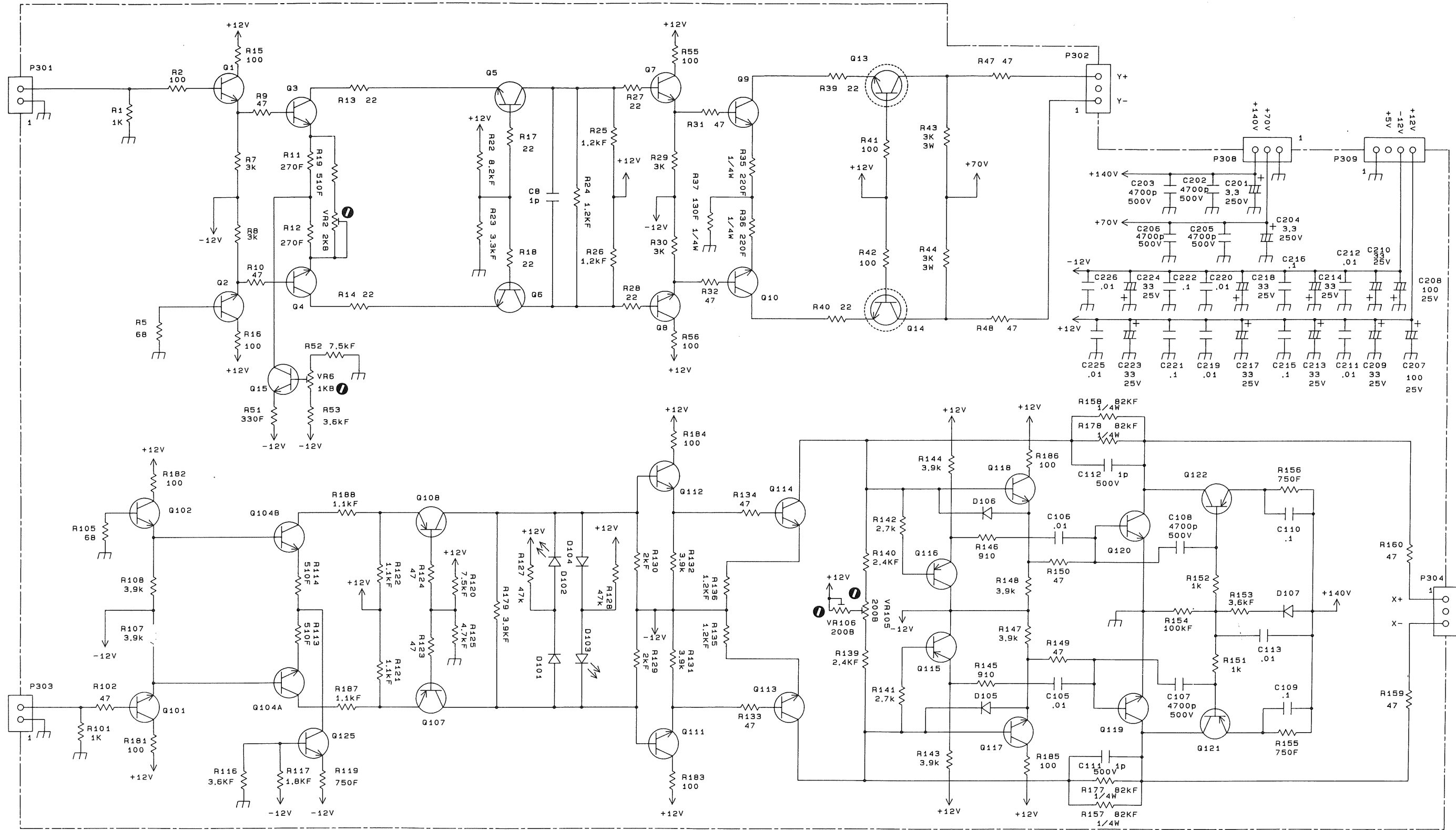
# SCHEMATIC DIAGRAM

POWER SUPPLY UNIT (X68-1620-00)



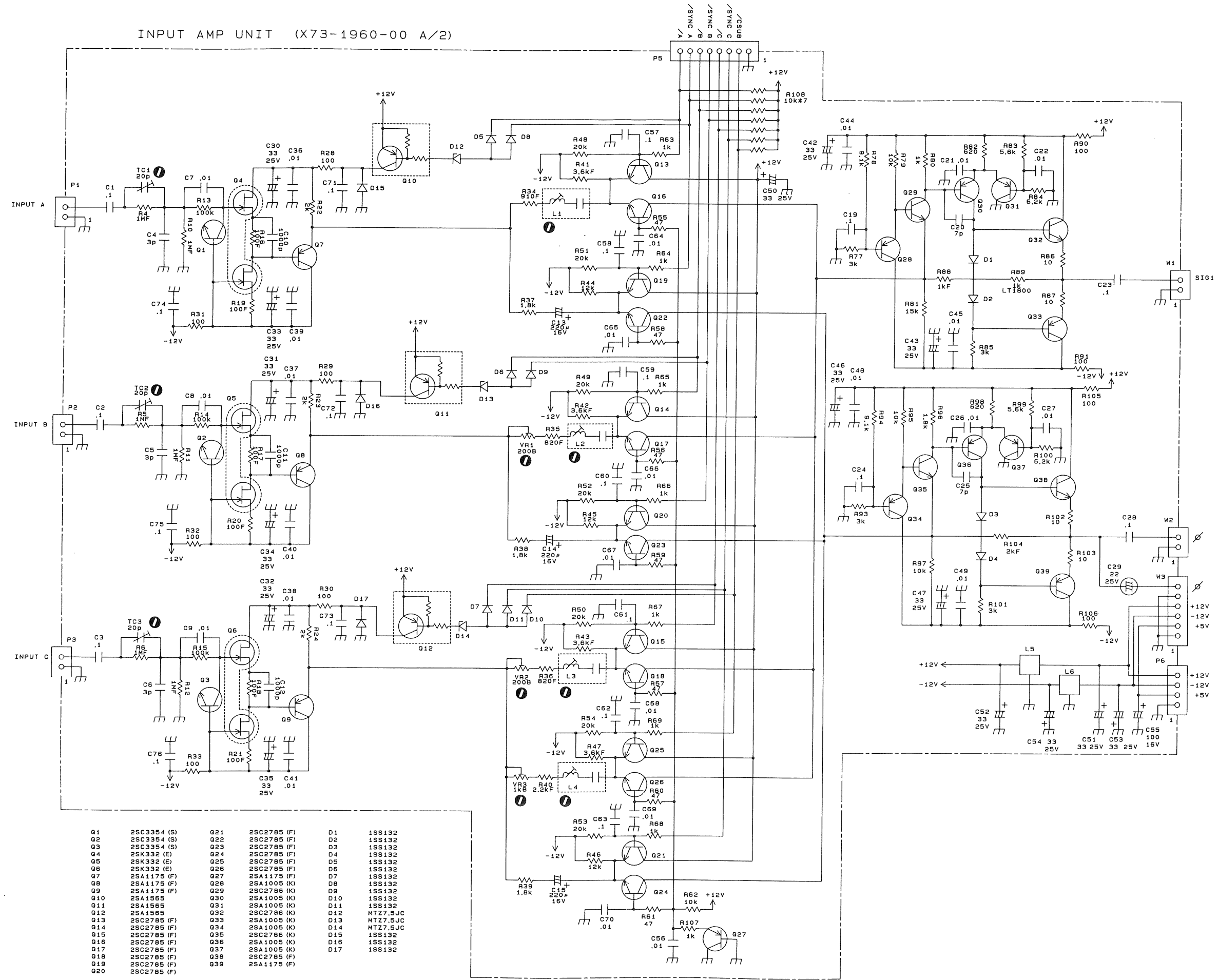
# SCHEMATIC DIAGRAM

FINAL AMP UNIT (X73-1910-00 A/2)

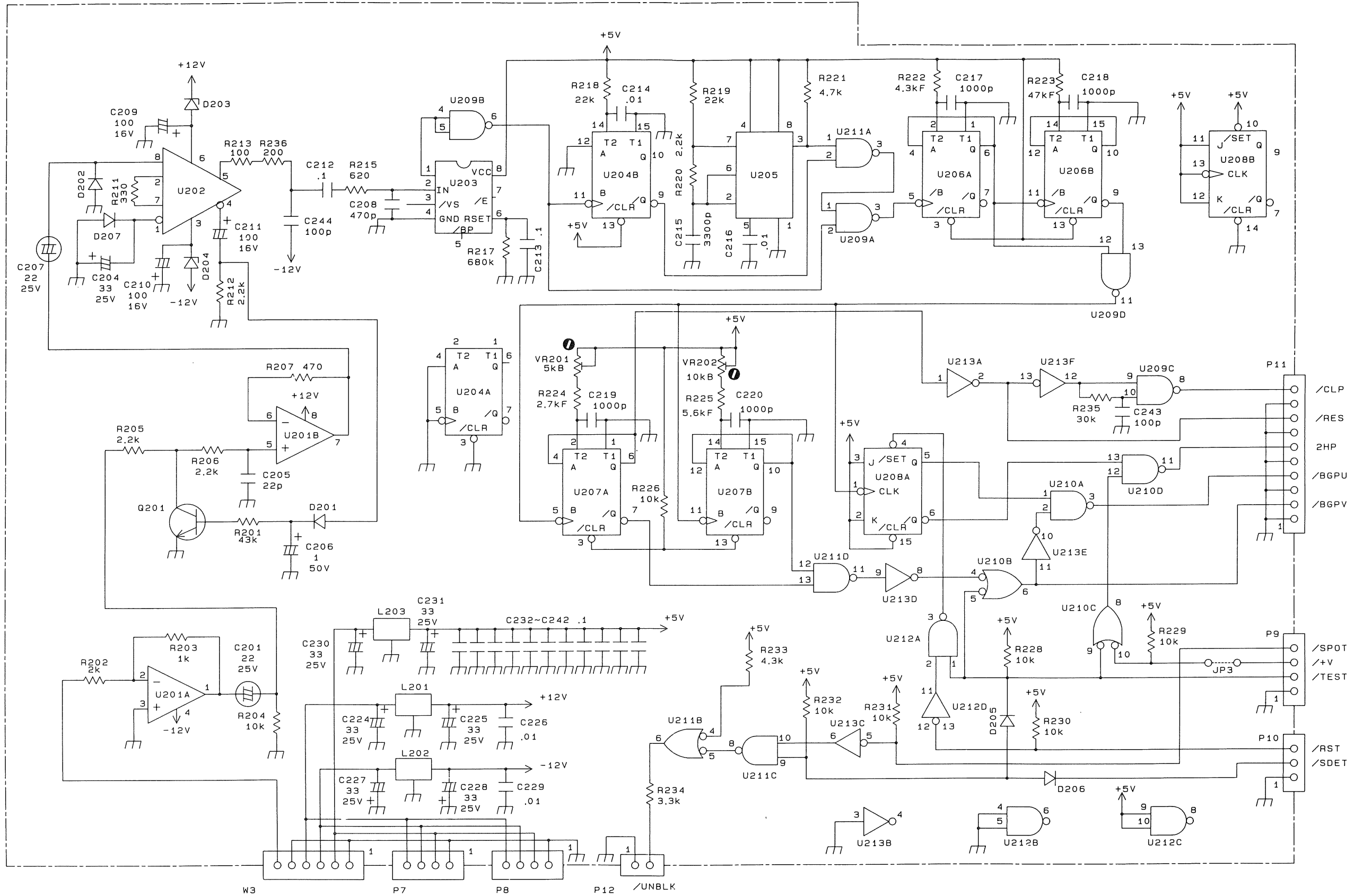


D101	1SS132	Q1	2SC2786 (K)	Q101	2SC2785 (F)	Q115	2SA1005 (K)
D102	TLR112	Q2	2SC2786 (K)	Q102	2SC2785 (F)	Q116	2SA1005 (K)
D103	TLR112	Q3	2SC3354 (S)	Q104	2SC3066 (F)	Q117	2SC2785 (F)
D104	1SS132	Q4	2SC3354 (S)	Q107	2SA1005 (K)	Q118	2SC2785 (F)
D105	1SS132	Q5	2SC2786 (K)	Q108	2SA1005 (K)	Q119	2SC3787 (S)
D106	1SS132	Q6	2SC2786 (K)	Q111	2SC2785 (F)	Q120	2SC3787 (S)
D107	1SS132	Q7	2SC2786 (K)	Q112	2SC2785 (F)	Q121	2SA1477 (S)
		Q8	2SC2786 (K)	Q113	2SC3354 (S)	Q122	2SA1477 (S)
		Q9	2SC3779 (D)	Q114	2SC3354 (S)	Q125	2SC2786 (K)
		Q10	2SC3779 (D)				
		Q13	2SC3787 (S)				
		Q14	2SC3787 (S)				
		Q15	2SC2786 (K)				

# SCHEMATIC DIAGRAM



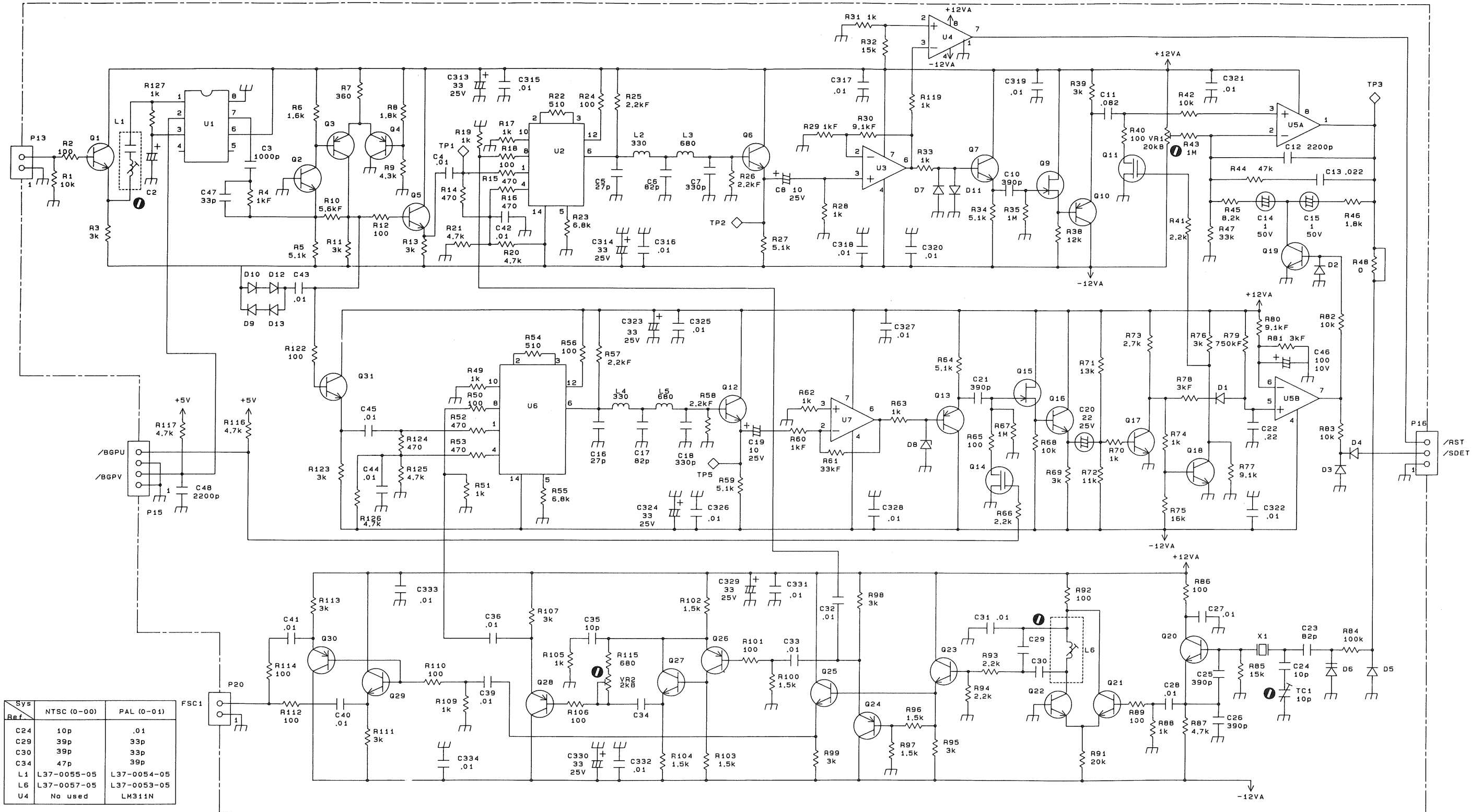
INPUT AMP UNIT (X73-1960-00 B/2) SCHEMATIC DIAGRAM



U201	NJM072BD	U209	TC74HC00AP	D201	1SS132
U202	NE592N8	U210	TC74HC00AP	D202	1SS132
U203	LM1881N	U211	TC74HC00AP	D203	MTZ6.2JB
U204	TC74HC4538AP	U212	TC74HC00AP	D204	MTZ6.2JB
U205	NE555P	U213	TC74HC04AP	D205	1SS132
U206	TC74HC4538AP	Q201	2SC2785 (F)	D206	1SS132
U207	TC74HC4538AP	Q202	2SC2785 (F)	D207	1SS132
U208	TC74HC112AP				

# SCHEMATIC DIAGRAM

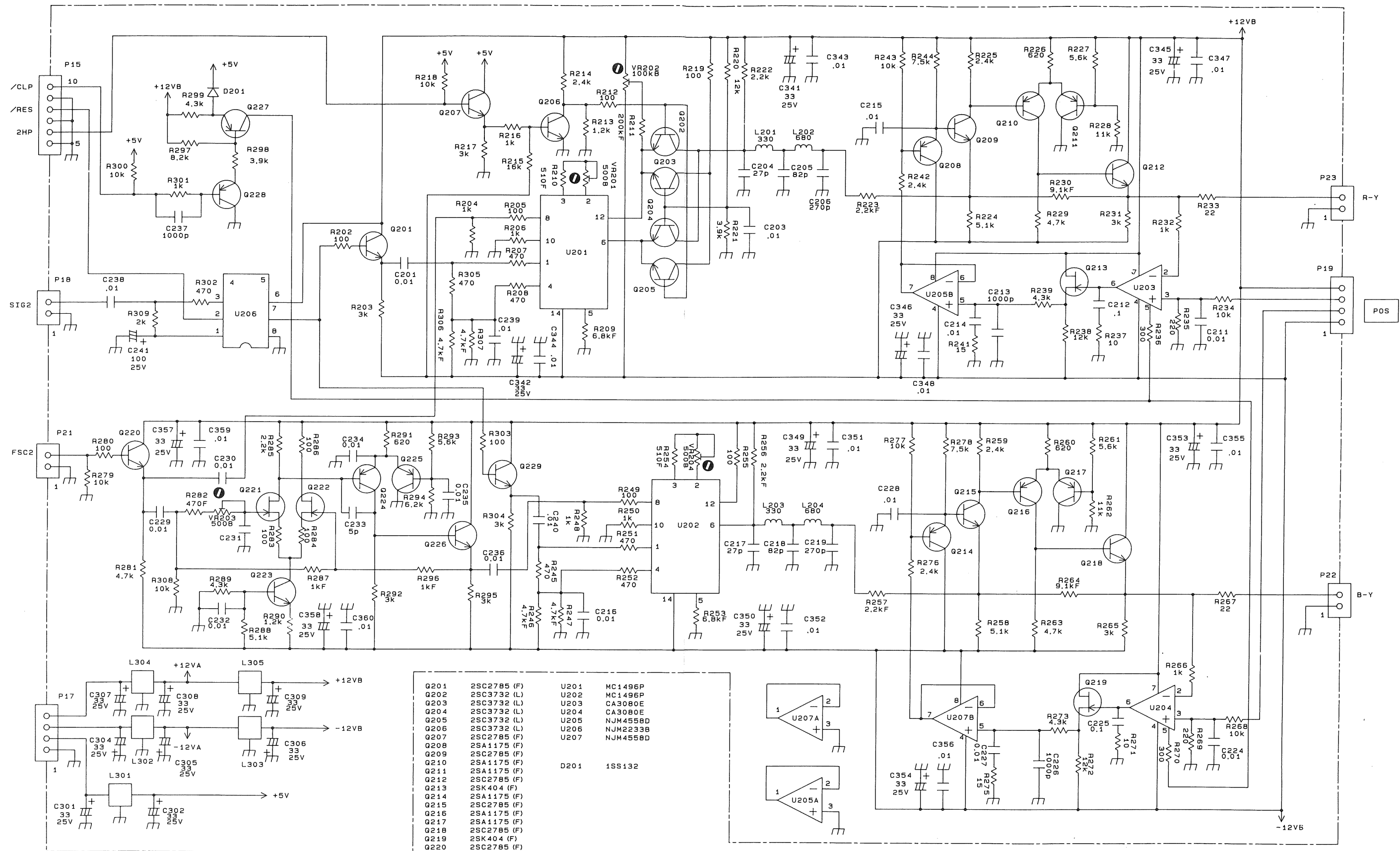
DECODER UNIT (X81-2970-00 A/2)



Sys Ref	NTSC (0-00)	PAL (0-01)
C24	10p	.01
C29	39p	33p
C30	39p	33p
C34	47p	39p
L1	L37-0055-05	L37-0054-05
L6	L37-0057-05	L37-0053-05
U4	No used	LM311N

D1	1SS132	U1	NJM2233BD	Q1	2SC2785 (F)	Q11	2SK583-KEN	Q21	2SC2785 (F)
D2	1SS132	U2	MC1496P	Q2	2SC2785 (F)	Q12	2SC2785 (F)	Q22	2SC2785 (F)
D3	1SS132	U3	LF357N	Q3	2SA1175 (F)	Q13	2SA1175 (F)	Q23	2SC2785 (F)
D4	1SS132	U5	NJM072BD	Q4	2SA1175 (F)	Q14	2SK583-KEN	Q24	2SA1175 (F)
D5	1SS132	U6	MC1496P	Q5	2SC2785 (F)	Q15	2SK404 (F)	Q25	2SC2785 (F)
D6	1SV153A	U7	LF357N	Q6	2SC2785 (F)	Q16	2SC2785 (F)	Q26	2SA1175 (F)
D7	1SS132	U8	NJM2233BD	Q7	2SC2785 (F)	Q17	2SC3732 (L)	Q27	2SC2785 (F)
D8	MT25.1JB			Q9	2SK404 (F)	Q18	2SC3732 (L)	Q28	2SA1175 (F)
D9	1SS132			Q10	2SA1175 (F)	Q19	2SC2785 (F)	Q29	2SC2785 (F)
D11	1SS132					Q20	2SC2785 (F)	Q30	2SA1175 (F)
D12	1SS132							Q31	2SC2785 (F)
D13	1SS132								

# SCHEMATIC DIAGRAM



Q201	2SC2785 (F)	U201	MC1496P
Q202	2SC3732 (L)	U202	MC1496P
Q203	2SC3732 (L)	U203	CA3080E
Q204	2SC3732 (L)	U204	CA3080E
Q205	2SC3732 (L)	U205	NJM4558D
Q206	2SC3732 (L)	U206	NJM2233B
Q207	2SC2785 (F)	U207	NJM4558D
Q208	2SA1175 (F)		
Q209	2SC2785 (F)	D201	1SS132
Q210	2SA1175 (F)		
Q211	2SA1175 (F)		
Q212	2SC2785 (F)		
Q213	2SK404 (F)		
Q214	2SA1175 (F)		
Q215	2SC2785 (F)		
Q216	2SA1175 (F)		
Q217	2SA1175 (F)		
Q218	2SC2785 (F)		
Q219	2SK404 (F)		
Q220	2SC2785 (F)		
Q221	2SK404 (F)		
Q222	2SK404 (F)		
Q223	2SC2785 (F)		
Q224	2SA1175 (F)		
Q225	2SA1175 (F)		
Q226	2SC2785 (F)		
Q227	2SA1175 (F)		
Q228	2SA1175 (F)		
Q229	2SC2785 (F)		

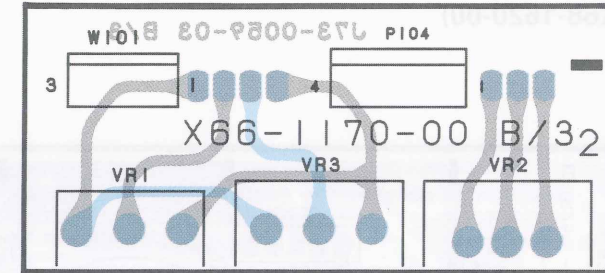
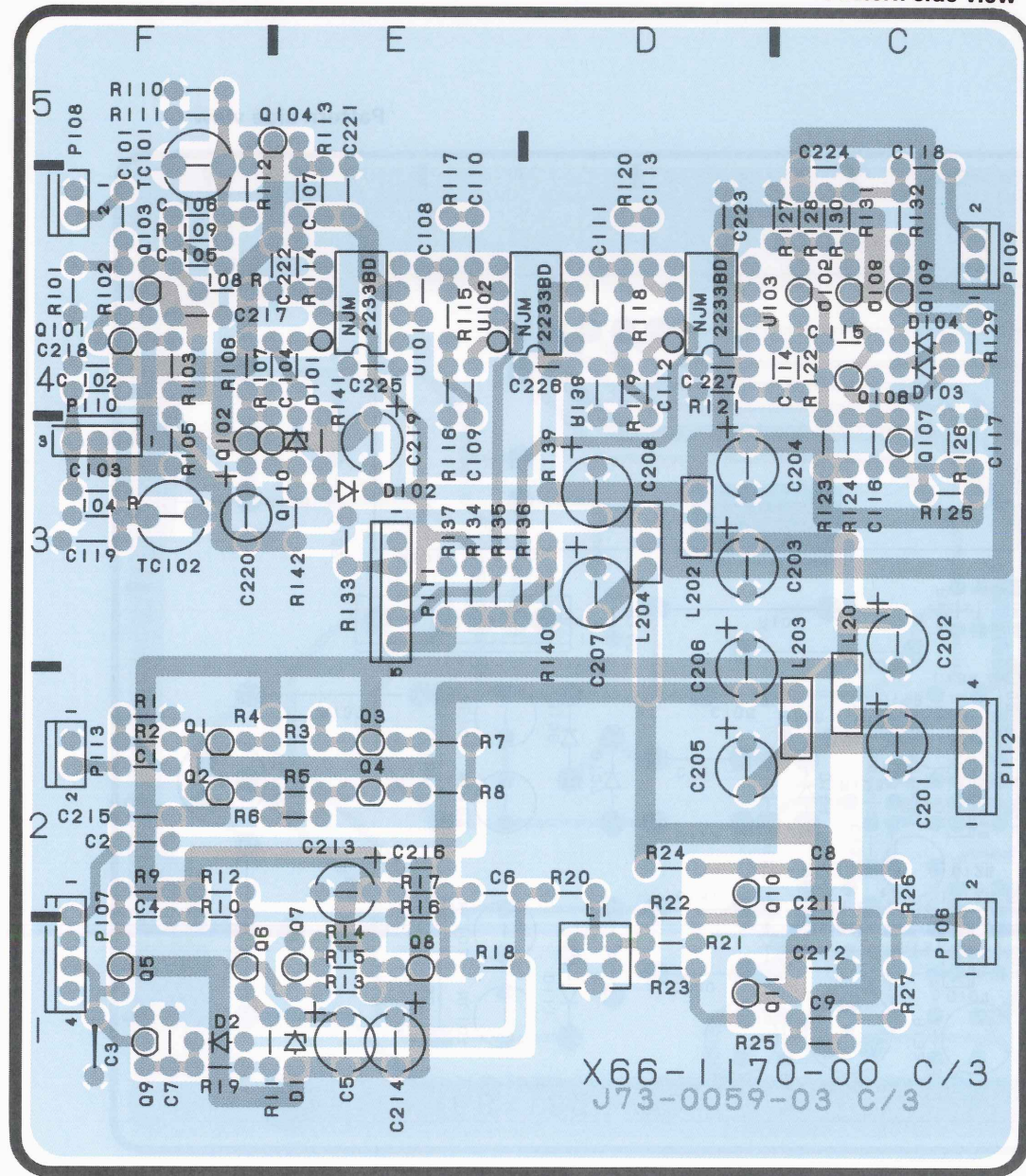
Sys	NTSC	PAL
Ref.	(0-00)	(0-01)
C231	47p	39p



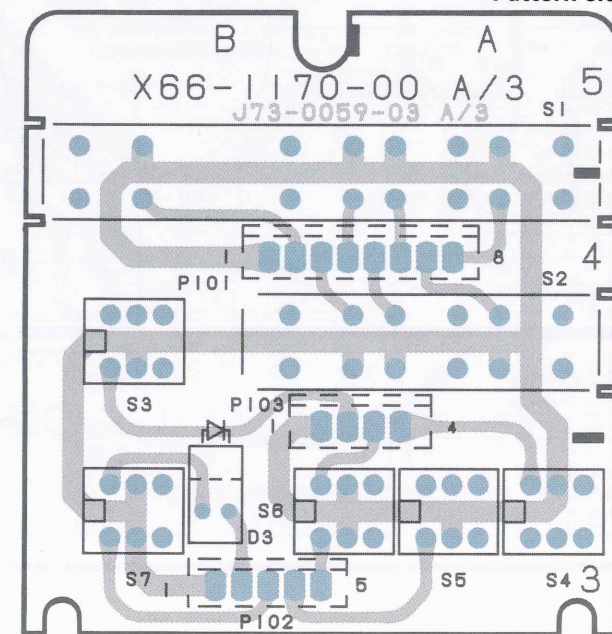
# P.C. BOARD

Panel Unit (X66-1170-00/01)

Pattern side view



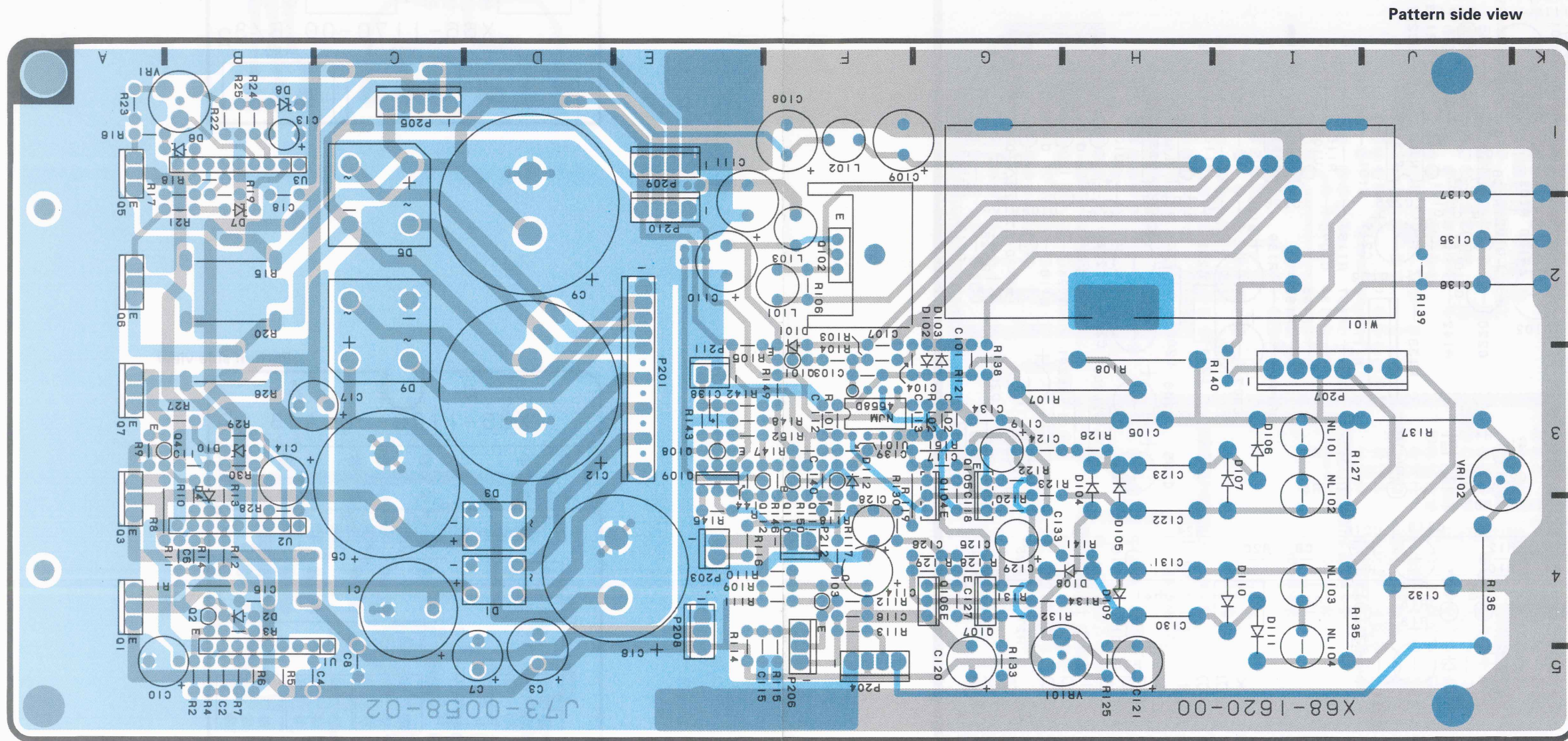
Pattern side view





# P.C. BOARD

Power Supply Unit (X68-1620-00)

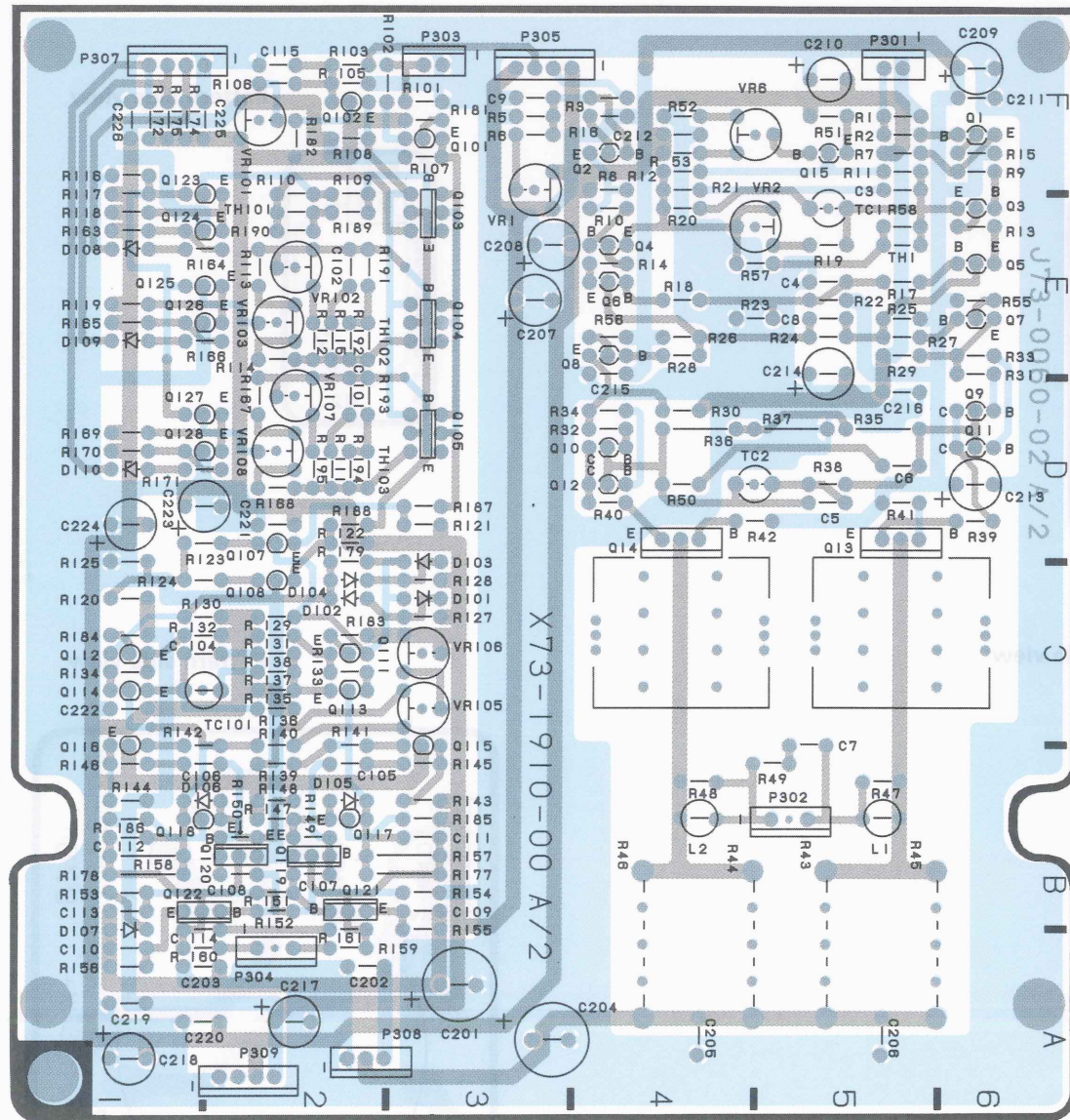




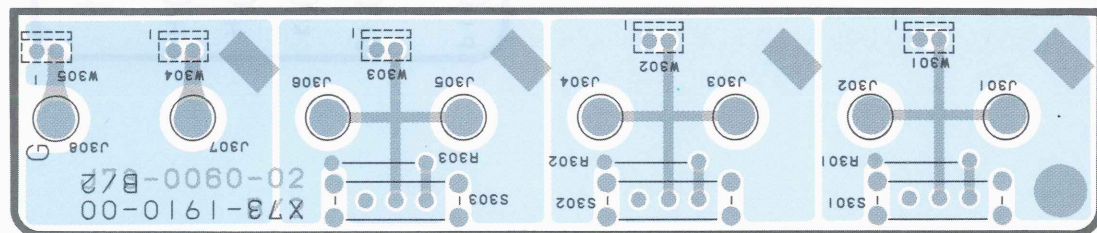
# P.C. BOARD

Final Unit (X73-1910-00)

Pattern side view

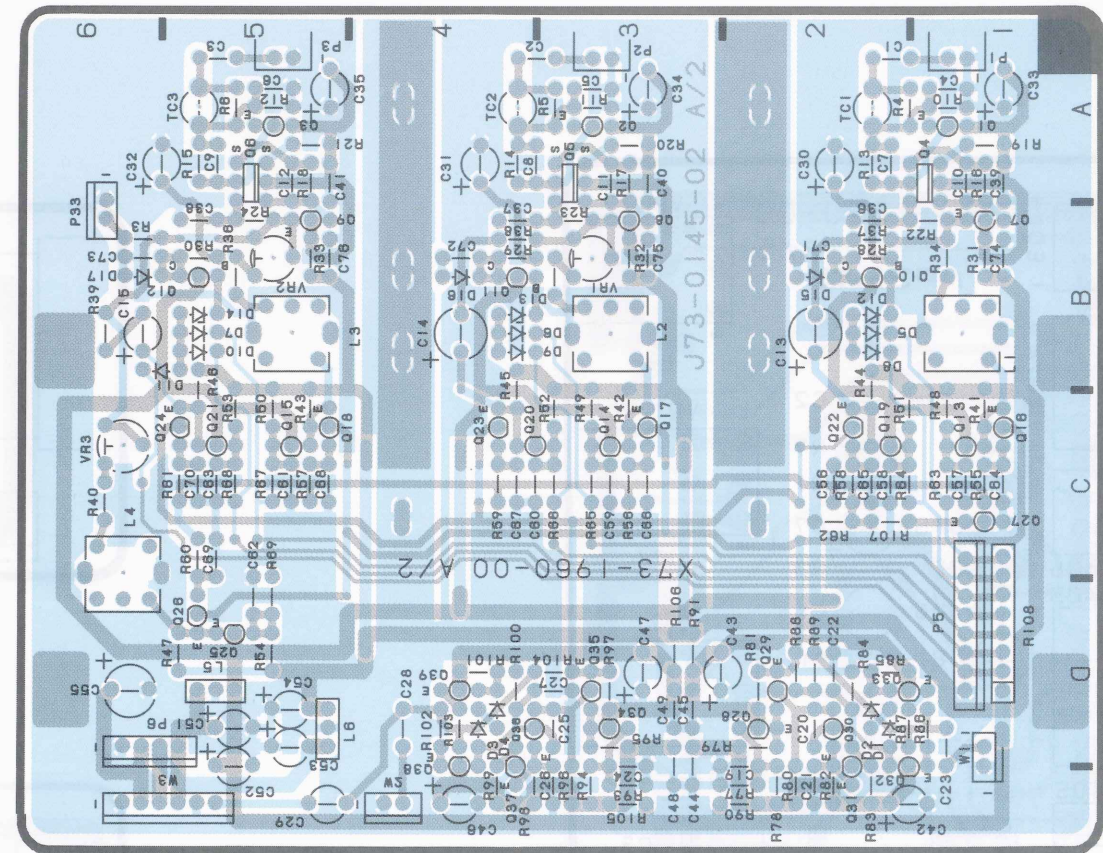


Pattern side view

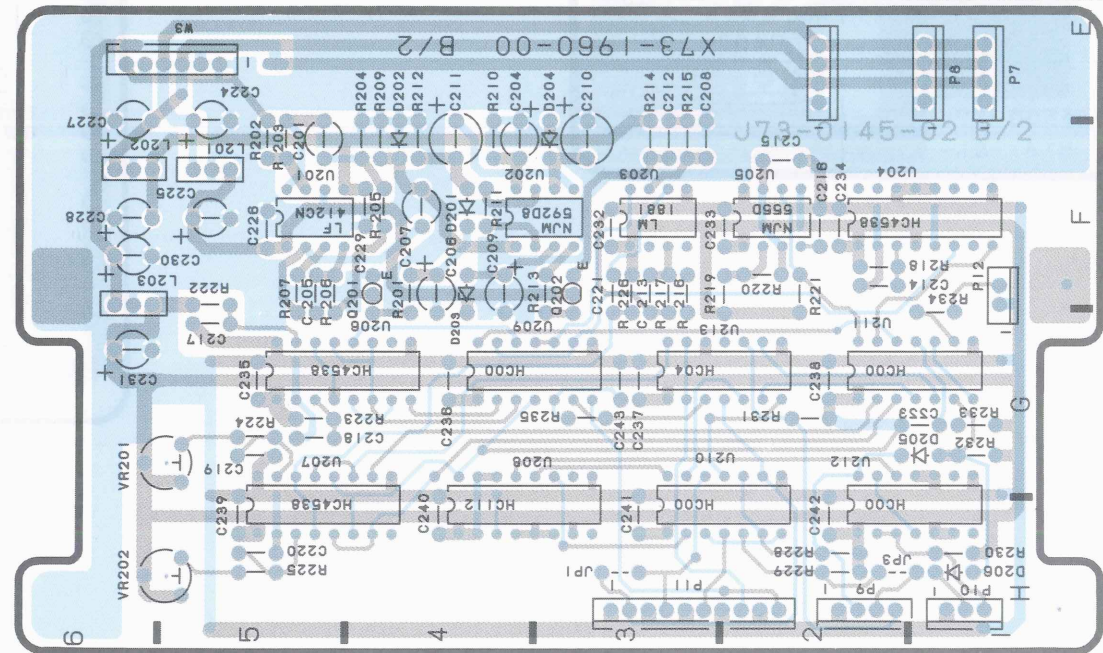


Input Amp Unit (X73-1960-00/01)

Pattern side view



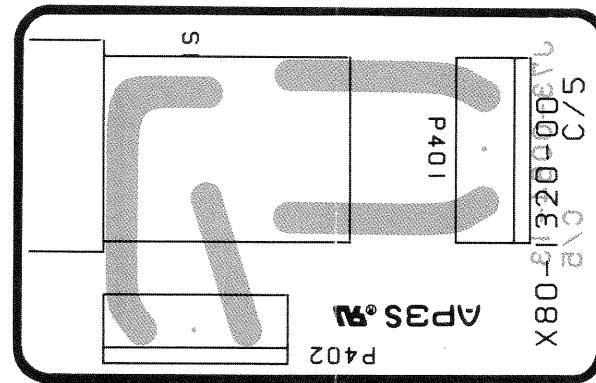
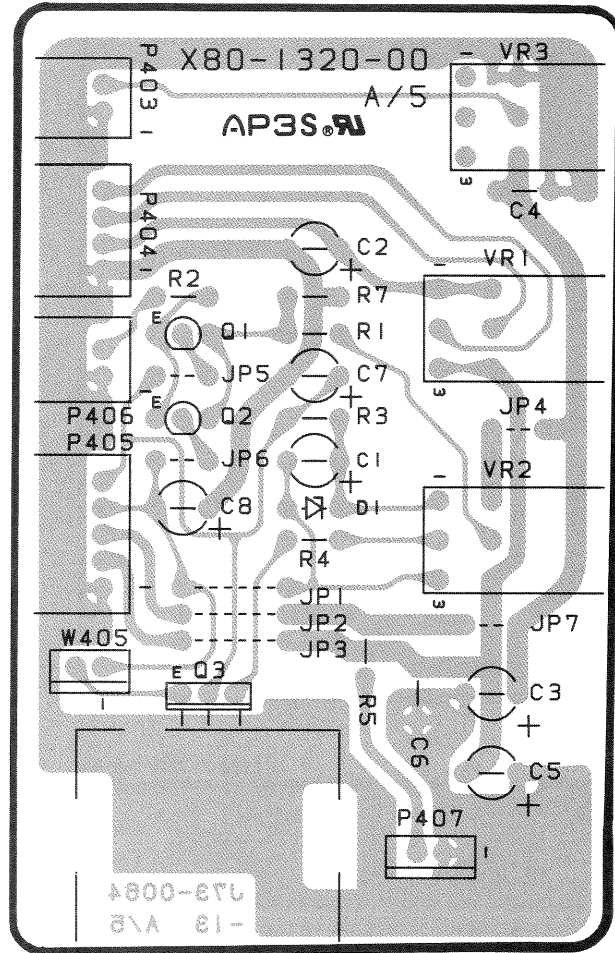
Pattern side view



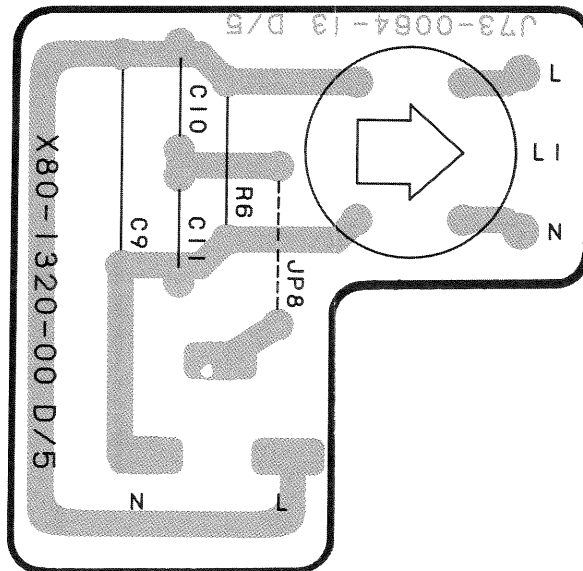


# P.C. BOARD

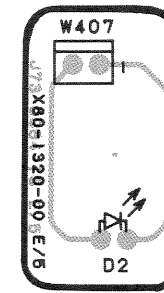
Line Filter & CRT Unit (X80-1320-00)



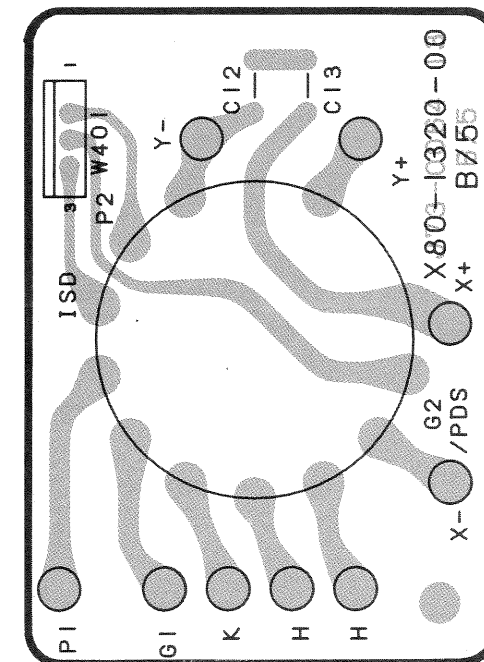
Pattern side view



Pattern side view



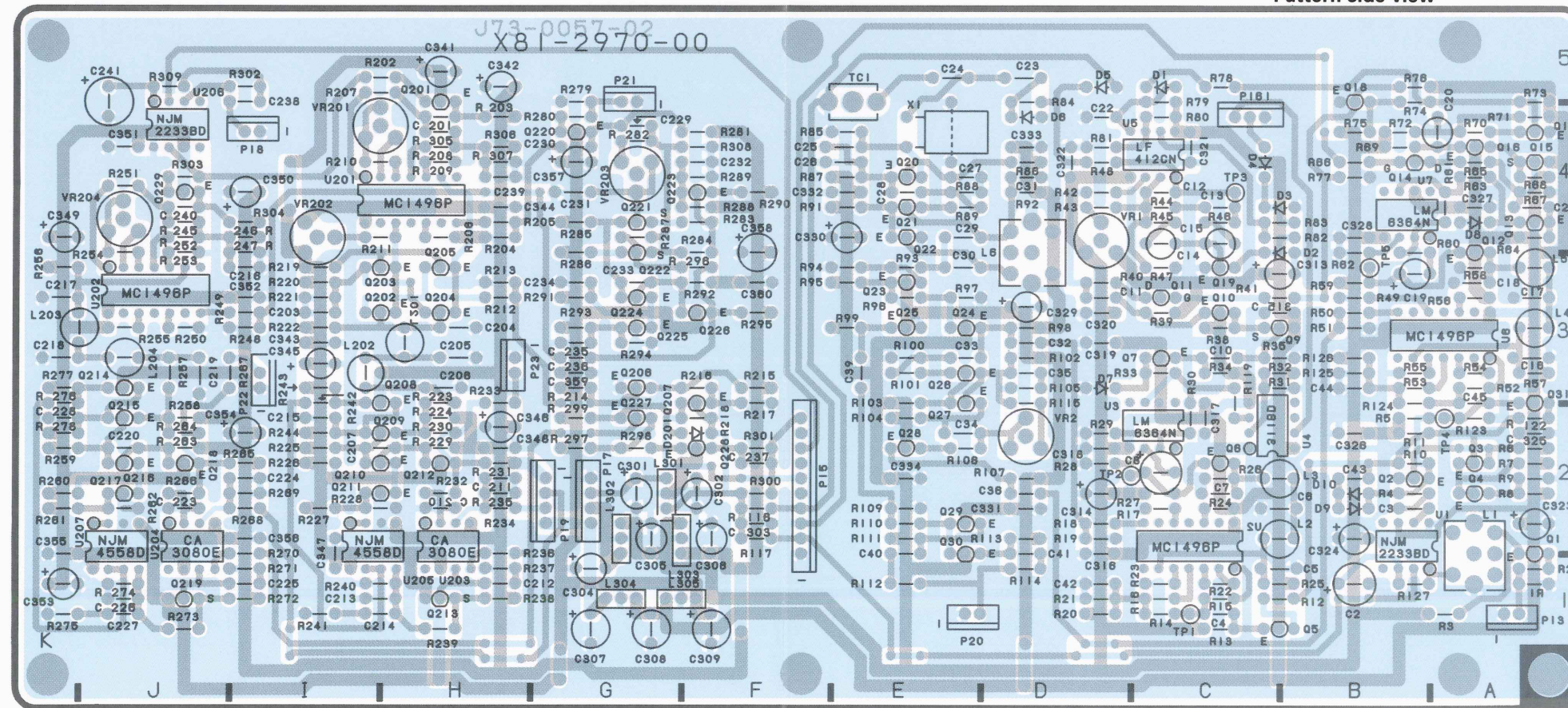
Pattern side view



# P.C. BOARD

Decoder Unit (X81-2970-00/01)

Pattern side view



---

A product of  
**KENWOOD CORPORATION**  
2-5, 1-chome, Shibuya, Shibuya-ku; Tokyo 150, Japan

---