

SCHEMATIC DIAGRAM PARTS LIST P.C. BOARD

KENWOOD

PD56-6(D) PD56-10(D)

Constant-Voltage Current Power Supply

PARTS LIST

MAIN CHASSIS (PD56-10)

Y86-1260-61

REF. NO	PARTS NO	NAME & DESCRIPTION
	A01-1164-13	CASE
	A10-1448-12	CHASSIS
	A20-2794-05	PANEL (DIECAST)
	A21-1081-03	DECORATIVE PANEL
	B07-0713-04	BESCUTCHEON
	B40-2765-04	NAME PLATE (SERIAL NO)
	B40-2877-03	NAME PLATE (KENWOOD)
	B41-0627-14	CAUTION LABEL (LINE VOL)
	B41-0791-04	CAUTION LABEL (FUSE)
	B50-7586-20	INSTRUCTION MANUAL
	E18-0363-05	INLET SOCKET
	E20-0491-05	TERMINAL BLOCK 4P
	E20-1291-15	TERMINAL BLOCK 12P
	E21-0653-03	TERMINAL (BULE)
	E21-0665-03	TERMINAL (GLAY)
	E21-0666-03	TERMINAL (RED)
	E23-0541-05	EARTH LUG
	E23-0542-05	EARTH LUG
	E29-0506-04	SHORTING BAR (PANEL)
	E29-0536-14	SHORTING BAR (CONTROL TERM.)
	E29-0537-14	SHORTING BAR (REAR OUT PUT)
	E30-1819-05	CBE CORD
	E31-2753-05	LEAD WIRE WITH CONNECTOR
	E33-4109-00	WIRE ASSY
	F01-0853-14	HEAT SINK
	F01-0854-34	HEAT SINK
	F06-8023-05	FUSE (8A)
	F19-0712-05	CAP FOR DP-652
	F20-0625-04	INSULATOR
	F20-0657-25	INSULATOR
	H01-5811-14	CARTON BOX
	H10-2823-12	FOAMED STYRENE PAD (F)
	H10-2824-12	FOAMED STYRENE PAD (R)
	H21-0806-04	PROTECTION SHEET (SET)
	H21-0831-14	PROTECTION SHEET (AC CORD)
	H25-0029-04	POLYETHYLENE BAG (FUSE)
	J02-0049-14	LEG
	J11-0504-05	CLAMPER
	J13-0506-05	FUSE HOLDER
	J21-0392-04	HOLDER FOR OUTPUT LEAD
	J21-2912-05	HOLDER FOR LED
	J21-2948-04	BRACKET
	J21-2949-04	BRACKET
	J21-4557-04	BRACKET (FOR TRANSISTOR)
	J21-4558-04	BRACKET (FOR TRANSISTOR)
	J21-4559-14	BRACKET (FOR HEAT SINK)
	J21-4560-04	BRACKET (FOR HEAT SINK)
	J21-4561-04	BRACKET (FOR METER)
	J21-4570-23	BRACKET (FOR PCB)
	J21-4577-05	BRACKET
	J32-0876-05	BOSS
	J61-0049-05	WIRE BAND
	J61-0525-05	WIRE WRAPPING BAND
	J61-0526-05	BOARD SUPPORT

REF. NO	PARTS NO	NAME & DESCRIPTION
	K01-0409-05	HANDLE
	K21-0877-13	KNOB
	K27-0528-14	KNOB
	N09-0623-04	SCREW M 3X8
	N09-0626-04	SCREW M 3X10
	N09-0654-05	SCREW M 4X8
	N09-0723-05	SCREW M 5X10
	N09-0725-15	SCREW M 4X12
	N09-0732-05	SCREW M 5X8
	N14-0404-04	NUT
	N14-0620-05	NUT
	N19-0717-05	WASHER NONMETAL AC310
	N19-0726-04	WASHER
	N30-4016-41	SCREW, PAN HD M 4X16
	N32-3006-41	SCREW, FLAT HD M 3X6
	N33-4008-41	SCREW M 2.6X5
	N88-4012-41	SCREW, FLAT HD TAP TITE
	N89-3008-41	SCREW, BINDING TAP TITE
	N89-3012-41	SCREW, BINDING TAP TITE
	N89-3014-41	SCREW, BINDING TAP TITE
	N89-4014-41	SCREW, BINDING TAP TITE
	S51-1518-05	THERMAL SENSOR
	T40-0405-05	INDUCTION MOTOR
	X73-1690-00	AMPLIFIER UNIT
	X77-1400-03	OVER VOLTAGE PROTECTION UNIT
	X81-1590-01	RECTIFIER UNIT
	X81-1980-07	CONSTANT. I UNIT
	001-0501-05	COATING WIRE
	212-1018-05	TUBE (PLASTIC)
	212-3017-05	TUBE (PLASTIC)
C001	C90-0959-05	CAP. ELECTRO 1000 80V
C002	C90-0960-05	CAP. ELECTRO 580 20% 63V
C003	C90-0961-05	CAP. ELECTRO 660 20% 63V
C004	C91-1243-05	CAP. CERAMIC 0.47 10% 250V
C005	NO USE	
C006	E31-2686-05	SPARK KILLER A'SSY
C010	CE04W1E101M	CAP. ELECTRO 100 20% 25V
C011	CE04W1E101M	CAP. ELECTRO 100 20% 25V
D001	CRO9E	TRYRISTOR
D002	CRO9E	TRYRISTOR
D008	E31-2517-05	LEAD WIRE WITH CONNECTOR
D009	E31-2517-05	LEAD WIRE WITH CONNECTOR
D010	E31-2518-05	LEAD WIRE WITH CONNECTOR
D011	TNR15G431K	VARISTOR
M001	B31-0732-05	METER (56V-10A)
M002	B31-0732-05	METER (56V-10A)
P001	E31-2752-05	LEAD WIRE WITH CONNECTOR
P002	E31-2752-05	LEAD WIRE WITH CONNECTOR
P003	E31-2607-05	LEAD WIRE WITH CONNECTOR
P004	E31-2606-05	LEAD WIRE WITH CONNECTOR
P005	E31-2514-05	LEAD WIRE WITH CONNCTOR

PARTS LIST

REF.NO	PARTS NO	NAME & DESCRIPTION
P009	E31-2514-05	LEAD WIRE WITH CONNECTOR
P010	E31-2517-05	LEAD WIRE WITH CONNECTOR
P011	E31-2517-05	LEAD WIRE WITH CONNECTOR
P012	E31-2518-05	LEAD WIRE WITH CONNECTOR
P309	E31-2751-05	LEAD WIRE WITH CONNECTOR
R010	R92-1172-05	RES. FIXED 0.036
R014	R92-1188-05	RES. FIXED 270
R020	R92-1170-05	RES. FIXED 1K
S001	S59-1502-05	SWITCH (CIRCUIT PROTECTOR)
T001	L01-9626-05	POWER TRANSFORMER
T002	L15-0409-05	CHOK COIL
VR001	R29-0505-05	V.R. 10K
VR002	R05-3508-05	V.R. 10K

MAIN CHASSIS (PD56-10D)

Y86-1270-61

REF.NO	PARTS NO	NAME & DESCRIPTION
	A01-1164-13	CASE
	A10-1448-12	CHASSIS
	A20-2794-05	PANEL (DIECAST)
	A21-1088-03	DECORATIVE PANEL
	B07-0713-04	ESCUTCHEON
	B19-0743-03	FILTER
	B40-2765-04	NAME PLATE (SERIAL NO)
	B40-2875-03	NAME PLATE (KENWOOD)
	B41-0627-14	CAUTION LABEL (LINE VOL)
	B41-0791-04	CAUTION LABEL (FUSE)
	B50-7586-20	INSTRUCTION MANUAL
	B18-0363-05	INLET SOCKET
	E20-0491-05	TERMINAL BLOCK 4P
	E20-1291-15	TERMINAL BLOCK 12P
	E21-0653-03	TERMINAL (BLUE)
	E21-0665-03	TERMINAL (GLAY)
	E21-0666-03	TERMINAL (RED)
	E23-0541-05	EARTH LUG
	E23-0542-05	EARTH LUG
	E29-0506-04	SHORTING BAR (PANEL)
	E29-0536-14	SHORTING BAR (CONTROL TERM.)
	E29-0537-14	SHORTING BAR (REAR OUT PUT)
	E30-1819-05	CEE CORD
	E31-2753-05	LEAD WIRE WITH CONNECTOR
	E33-4109-00	WIRE ASSY
	F01-0853-14	HEAT SINK
	F01-0854-34	HEAT SINK
	F06-8023-05	FUSE (8A)
	F07-0928-05	COVER
	F19-0712-05	CAP FOR DP-652
	F20-0625-04	INSULATOR
	F20-0647-05	INSULATOR
	F20-0657-25	INSULATOR
	H01-5809-14	CARTON BOX
	H10-2823-12	FOAMED STYRENE PAD (F)
	H10-2824-12	FOAMED STYRENE PAD (R)
	H21-0806-04	PROTECTION SHEET (SET)
	H21-0831-14	PROTECTION SHEET (AC CORD)
	H25-0029-04	POLYETHYLENE BAG (FUSE)
	J02-0049-14	LEG
	J11-0504-05	CLAMPER
	J13-0506-05	FUSE HOLDER
	J19-1620-05	CORD CLAMP
	J21-0392-04	HOLDER FOR OUTPUT LEAD
	J21-2912-05	HOLDER FOR LED
	J21-2948-04	BRACKET
	J21-2949-04	BRACKET
	J21-4513-03	BRACKET FOR PCB
	J21-4557-04	BRACKET (FOR TRANSISTOR)
	J21-4558-04	BRACKET (FOR TRANSISTOR)
	J21-4559-14	BRACKET (FOR HEAT SINK)
	J21-4560-04	BRACKET (FOR HEAT SINK)
	J21-4570-23	BRACKET (FOR PCB)
	J21-4577-05	BRACKET
	J32-0876-05	BOSS
	J61-0049-05	WIRE BAND
	J61-0525-05	WIRE WRAPPING BAND
	J61-0526-05	BOARD SUPPORT
	K01-0409-05	HANDLE

REF.NO	PARTS NO	NAME & DESCRIPTION
	K21-0877-13	KNOB
	K27-0528-14	KNOB
	N09-0623-04	SCREW M 3X8
	N09-0626-04	SCREW M 3X10
	N09-0654-05	SCREW M 4X8
	N09-0723-05	SCREW M 5X10
	N09-0725-15	SCREW M 4X12
	N09-0732-05	SCREW M 5X8
	N14-0404-04	NUT
	N14-0620-05	NUT
	N19-0191-05	WASHER NONMETAL
	N19-0717-05	WASHER NONMETAL AC310
	N19-0726-04	WASHER
	N32-3006-41	SCREW, FLAT HD M 3X6
	N32-3008-41	SCREW, FLAT HD M 3X8
	N33-4008-41	SCREW M 2.6X5
	N88-4012-41	SCREW, FLAT HD TAP TITE
	N89-3008-41	SCREW, BINDING TAP TITE
	N89-3012-41	SCREW, BINDING TAP TITE
	N89-3014-41	SCREW, BINDING TAP TITE
	N89-4014-41	SCREW, BINDING TAP TITE
	S51-1518-05	THERMAL SENSOR
	T40-0405-05	INDUCTION MOTOR
	X73-1700-00	AMPLIFIER UNIT
	X76-1260-07	DIGITAL PANEL METER UNIT
	X77-1400-03	OVER VOLTAGE PROTECTION UNIT
	X81-1590-01	RECTIFIRE UNIT
	X81-1980-07	CONSTANT. I UNIT
	001-0501-05	COATING WIRE
	212-1018-05	TUBE (PLASTIC)
	212-3017-05	TUBE (PLASTIC)
C001	C90-0959-05	CAP. ELECTRO 1000 80V
C002	C90-0960-05	CAP. ELECTRO 580 20% 63V
C003	C90-0961-05	CAP. ELECTRO 660 20% 63V
C004	C91-1243-05	CAP. CERAMIC 0.47 10% 250V
C005	NO USE	
C006	B31-2686-05	SPARK KILLER A'SSY
C010	CE04W1E101H	CAP. ELECTRO 100 20% 25V
C011	CE04W1E101H	CAP. ELECTRO 100 20% 25V
D001	CR09E	TRYRISTOR
D002	CR09E	TRYRISTOR
D008	E31-2517-05	LEAD WIRE WITH CONNECTOR
D009	E31-2517-05	LEAD WIRE WITH CONNECTOR
D010	E31-2518-05	LEAD WIRE WITH CONNECTOR
D011	TNR15G431K	VARISTOR
P001	E31-2752-05	LEAD WIRE WITH CONNECTOR
P002	E31-2752-05	LEAD WIRE WITH CONNECTOR
P005	E31-2514-05	LEAD WIRE WITH CONNCTOR
P009	E31-2514-05	LEAD WIRE WITH CONNCTOR
P010	E31-2517-05	LEAD WIRE WITH CONNECTOR
P011	E31-2517-05	LEAD WIRE WITH CONNECTOR
P012	E31-2518-05	LEAD WIRE WITH CONNECTOR
P201	E31-2519-05	LEAD WIRE A'SSY IC, TRANSFORMER
P202	E31-2519-05	LEAD WIRE A'SSY IC, TRANSFORMER
P203	E31-2519-05	LEAD WIRE A'SSY IC, TRANSFORMER
P204	NO USE	
P205	E31-2750-05	LEAD WIRE WITH CONNECTOR
P309	E31-2751-05	LEAD WIRE WITH CONNECTOR
R010	R92-1172-05	RES. FIXED 0.036
R014	R92-1188-05	RES. FIXED 270
R020	R92-1170-05	RES. FIXED 1K
S001	S59-1502-05	SWITCH (CIRCUIT PROTECTOR)
T001	L01-9626-05	POWER TRANSFORMER
T002	L15-0409-05	CHOK COIL
U203	UPC7805H	IC, VOLTAGE REGULATOR
U204	UPC7805H	IC, VOLTAGE REGULATOR
VR001	R29-0505-05	V.R. 10K
VR002	R05-3508-05	V.R. 10K

PARTS LIST

MAIN CHASSIS (PD56-6)

Y86-1280-61

REF.NO	PARTS NO	NAME & DESCRIPTION
A01	1152-03	CASE
A10	1446-22	CHASSIS
A20	2794-05	PANEL (DIECAST)
A21	1081-03	DECORATIVE PANEL
B07	0713-04	ESCUTCHEON
B40	2765-04	NAME PLATE (SERIAL NO)
B40	2879-03	NAME PLATE
B41	0627-14	CAUTION LABEL (LINE VOL)
B41	0792-04	CAUTION LABEL
B50	7586-20	INSTRUCTION MANUAL
E18	0363-05	INLET SOCKET
E20	0491-05	TERMINAL BLOCK 4P
E20	1291-15	TERMINAL BLOCK 12P
E21	0653-03	TERMINAL (BULE)
E21	0665-03	TERMINAL (GLAY)
E21	0666-03	TERMINAL (RED)
E23	0541-05	EARTH LUG
E23	0542-05	EARTH LUG
E29	0506-04	SHORTING BAR (PANEL)
E29	0536-14	SHORTING BAR (CONTROL TERM.)
E29	0537-14	SHORTING BAR (REAR OUT PUT)
E30	1819-05	CEE CORD
E31	2754-05	LEAD WIRE WITH CONNECTOR
E33	4094-00	WIRE ASSY
F01	0853-14	HEAT SINK
F01	0854-34	HEAT SINK
F04	5021-05	FUSE
F19	0712-05	CAP FOR DP-652
F20	0657-25	INSULATOR
H01	5813-14	CARTON BOX
H10	2823-12	FOAMED STYRENE PAD (F)
H10	2824-12	FOAMED STYRENE PAD (R)
H21	0806-04	PROTECTION SHEET (SET)
H21	0831-14	PROTECTION SHEET (AC CORD)
H25	0029-04	POLYETHYLENE BAG (FUSE)
J02	0049-14	LEG
J11	0504-05	CLAMPER
J13	0506-05	FUSE HOLDER
J21	0392-04	HOLDER FOR OUTPUT LEAD
J21	2912-05	HOLDER FOR LED
J21	2948-04	BRACKET
J21	2949-04	BRACKET
J21	4557-04	BRACKET (FOR TRANSISTOR)
J21	4558-04	BRACKET (FOR TRANSISTOR)
J21	4559-14	BRACKET (FOR HEAT SINK)
J21	4560-04	BRACKET (FOR HEAT SINK)
J21	4561-04	BRACKET (FOR METER)
J21	4570-23	BRACKET (FOR PCB)
J32	0876-05	BOSS
J61	0049-05	WIRE BAND
J61	0525-05	WIRE WRAPPING BAND
J61	0526-05	BOARD SUPPORT
K01	0410-05	HANDLE
K21	0877-03	KNOB
K27	0528-14	KNOB
N09	0623-04	SCREW M 3X8
N09	0626-04	SCREW M 3X10
N09	0654-05	SCREW M 4X8
N09	0723-05	SCREW M 5X10
N09	0725-15	SCREW M 4X12
N09	0732-05	SCREW M 5X8
N14	0404-04	NUT
N14	0620-05	NUT
N19	0717-05	WASHER NONMETAL AC310
N19	0726-04	WASHER
N30	4016-41	SCREW, PAN HD M 4X16
N32	3006-41	SCREW, PLAT HD M 3X6
N33	4008-41	SCREW M 2.6X5
N88	4012-41	SCREW, PLAT HD TAP TITE
N89	3008-41	SCREW, BINDING TAP TITE
N89	3012-41	SCREW, BINDING TAP TITE
N89	3014-41	SCREW, BINDING TAP TITE
N89	4014-41	SCREW, BINDING TAP TITE
S51	1518-05	THERMAL SENSOR
T40	0405-05	INDUCTION MOTOR
X73	1690-00	AMPLIFIER UNIT
X77	1400-03	OVER VOLTAGE PROTECTION UNIT
X81	1590-02	RECTIFIRE UNIT
X81	1850-00	CURRENT DIFLECTER UNIT
X81	1980-08	CONSTANT.I UNIT
001	0501-05	COATING WIRE

REF.NO	PARTS NO	NAME & DESCRIPTION
	212-1018-05	TUBE (PLASTIC)
	212-3017-05	TUBE (PLASTIC)
C001	C90-0962-05	CAP. ELECTRO 6800 80V
C002	C90-0960-05	CAP. ELECTRO 580 20% 63V
C003	C90-0961-05	CAP. ELECTRO 660 20% 63V
C004	C91-1243-05	CAP. CERAMIC 0.47 10% 250V
C005	NO USE	
C006	E31-2686-05	SPARK KILLER A'SSY
C010	CE04W1E101M	CAP. ELECTRO 100 20% 25V
C011	CE04W1E101M	CAP. ELECTRO 100 20% 25V
D001	CR09E	TRYRISTOR
D002	CR09E	TRYRISTOR
D008	E31-2517-05	LEAD WIRE WITH CONNECTOR
D009	E31-2517-05	LEAD WIRE WITH CONNECTOR
D010	E31-2518-05	LEAD WIRE WITH CONNECTOR
D011	TNR15G431K	VARISTOR
M001	B31-0733-05	METER
M002	B31-0733-05	METER
P001	E31-2755-05	LEAD WIRE WITH CONNECTOR
P002	E31-2755-05	LEAD WIRE WITH CONNECTOR
P003	E31-2607-05	LEAD WIRE WITH CONNECTOR
P004	E31-2606-05	LEAD WIRE WITH CONNECTOR
P005	E31-2514-05	LEAD WIRE WITH CONNECTOR
P009	E31-2514-05	LEAD WIRE WITH CONNECTOR
P010	E31-2517-05	LEAD WIRE WITH CONNECTOR
P011	E31-2517-05	LEAD WIRE WITH CONNECTOR
P012	E31-2518-05	LEAD WIRE WITH CONNECTOR
P309	E31-2751-05	LEAD WIRE WITH CONNECTOR
R014	R92-1188-05	RES. FIXED 270
R020	R92-1170-05	RES. FIXED 1K
S001	S59-1502-05	SWITCH (CIRCUIT PROTECTOR)
T001	L01-9636-05	POWER TRANSFORMER
T002	L15-0410-05	CHOKE
VR001	R29-0505-05	V.R. 10K
VR002	R05-3508-05	V.R. 10K

MAIN CHASSIS (PD56-6D)

Y86-1290-61

REF.NO	PARTS NO	NAME & DESCRIPTION
A01	1152-03	CASE
A10	1446-22	CHASSIS
A20	2794-05	PANEL (DIECAST)
A21	1088-03	DECORATIVE PANEL
B07	0713-04	ESCUTCHEON
B19	0738-13	FILTER
B40	2765-04	NAME PLATE (SERIAL NO)
B40	2873-03	NAME PLATE (KENWOOD)
B41	0627-14	CAUTION LABEL (LINE VOL)
B41	0792-04	CAUTION LABEL
B50	7586-20	INSTRUCTION MANUAL
E18	0363-05	INLET SOCKET
E20	0491-05	TERMINAL BLOCK 4P
E20	1291-15	TERMINAL BLOCK 12P
E21	0653-03	TERMINAL (BULE)
E21	0665-03	TERMINAL (GLAY)
E21	0666-03	TERMINAL (RED)
E23	0541-05	EARTH LUG
E23	0542-05	EARTH LUG
E29	0506-04	SHORTING BAR (PANEL)
E29	0536-14	SHORTING BAR (CONTROL TERM.)
E29	0537-14	SHORTING BAR (REAR OUT PUT)
E30	1819-05	CEE CORD
E31	2754-05	LEAD WIRE WITH CONNECTOR
E33	4094-00	WIRE ASSY
F01	0853-14	HEAT SINK
F01	0854-34	HEAT SINK
F04	5021-05	FUSE
F07	0928-05	COVER
F19	0712-05	CAP FOR DP-652
F20	0647-05	INSULATOR
F20	0657-25	INSULATOR

PARTS LIST

REP. NO	PARTS NO	NAME & DESCRIPTION
	H01-5807-14	CARTON BOX
	H10-2823-12	FOAMED STYRENE PAD (P)
	H10-2824-12	FOAMED STYRENE PAD (R)
	H21-0806-04	PROTECTION SHEET (SET)
	H21-0831-14	PROTECTION SHEET (AC CORD)
	H25-0029-04	POLYETHYLENE BAG (FUSE)
	J02-0049-14	LEG
	J11-0504-05	CLAMPER
	J13-0506-05	FUSE HOLDER
	J19-1620-05	CORD CLAMP
	J21-0392-04	HOLDER FOR OUTPUT LEAD
	J21-2912-05	HOLDER FOR LED
	J21-2948-04	BRACKET
	J21-2949-04	BRACKET
	J21-4513-03	BRACKET FOR PCB
	J21-4557-04	BRACKET (FOR TRANSISTOR)
	J21-4558-04	BRACKET (FOR TRANSISTOR)
	J21-4559-14	BRACKET (FOR HEAT SINK)
	J21-4560-04	BRACKET (FOR HEAT SINK)
	J21-4570-23	BRACKET (FOR PCB)
	J32-0876-05	BOSS
	J61-0049-05	WIRE BAND
	J61-0525-05	WIRE WRAPPING BAND
	J61-0526-05	BOARD SUPPORT
	K01-0410-05	HANDLE
	K21-0877-13	KNOB
	K27-0528-14	KNOB
	N09-0623-04	SCREW M 3X8
	N09-0626-04	SCREW M 3X10
	N09-0654-05	SCREW M 4X8
	N09-0723-05	SCREW M 5X10
	N09-0725-15	SCREW M 4X12
	N09-0732-05	SCREW M 5X8
	N14-0404-04	NUT
	N14-0620-05	NUT
	N19-0191-05	WASHER NONMETAL
	N19-0717-05	WASHER NONMETAL AC310
	N19-0726-04	WASHER
	N32-3006-41	SCREW, FLAT HD M 3X6
	N32-3008-41	SCREW, FLAT HD M 3X8
	N33-4008-41	SCREW M 2.6X5
	N88-4012-41	SCREW, FLAT HD TAP TITE
	N89-3008-41	SCREW, BINDING TAP TITE
	N89-3012-41	SCREW, BINDING TAP TITE
	N89-3014-41	SCREW, BINDING TAP TITE
	N89-4014-41	SCREW, BINDING TAP TITE
	S51-1518-05	THERMAL SENSOR
	T40-0405-05	INDUCTION MOTOR
	X73-1700-00	AMPLIFIER UNIT
	X76-1260-08	DIGITAL PANEL METER UNIT
	X77-1400-03	OVER VOLTAGE PROTECTION UNIT
	X81-1590-02	RECTIFIER UNIT
	X81-1850-01	CURRENT DIPECTER UNIT
	X81-1980-08	CONSTANT. I UNIT
	001-0501-05	COATING WIRE
	212-1018-05	TUBE (PLASTIC)
	212-3017-05	TUBE (PLASTIC)
C001	C90-0962-05	CAP. ELECTRO 6800 80V
C002	C90-0960-05	CAP. ELECTRO 580 20% 63V
C003	C90-0961-05	CAP. ELECTRO 660 20% 63V
C004	C91-1243-05	CAP. CERAMIC 0.47 10% 250V
C005	NO USE	
C006	E31-2686-05	SPARK KILLER A'SSY
C010	CE04W1E101M	CAP. ELECTRO 100 20% 25V
C011	CE04W1E101M	CAP. ELECTRO 100 20% 25V
D001	CR09E	TRYRISTOR
D002	CR09E	TRYRISTOR
D008	E31-2517-05	LEAD WIRE WITH CONNECTOR
D009	E31-2517-05	LEAD WIRE WITH CONNECTOR
D010	E31-2518-05	LEAD WIRE WITH CONNECTOR
D011	TNR15G431K	VARISTOR
P001	E31-2755-05	LEAD WIRE WITH CONNECTOR
P002	E31-2755-05	LEAD WIRE WITH CONNECTOR
P005	E31-2514-05	LEAD WIRE WITH CONNCTOR
P009	E31-2514-05	LEAD WIRE WITH CONNCTOR
P010	E31-2517-05	LEAD WIRE WITH CONNECTOR
P011	E31-2517-05	LEAD WIRE WITH CONNECTOR
P012	E31-2518-05	LEAD WIRE WITH CONNECTOR
P201	E31-2519-05	LEAD WIRE A'SSY IC, TRANSFORMER

REP. NO	PARTS NO	NAME & DESCRIPTION
P202	E31-2519-05	LEAD WIRE A'SSY IC, TRANSFORMER
P203	E31-2519-05	LEAD WIRE A'SSY IC, TRANSFORMER
P204	NO USE	
P205	E31-2756-05	LEAD WIRE WITH CONNECTOR
P309	E31-2751-05	LEAD WIRE WITH CONNECTOR
R014	R92-1188-05	RES. FIXED 270
R020	R92-1170-05	RES. FIXED 1K
S001	S59-1502-05	SWITCH (CIRCUIT PROTECTOR)
T001	L01-9636-05	POWER TRANSFORMER
T002	L15-0410-05	CHOKER
U203	UPC7805H	IC, VOLTAGE REGULATOR
U204	UPC7805H	IC, VOLTAGE REGULATOR
VR001	R29-0505-05	V. R. 10K
VR002	R05-3508-05	V. R. 10K

AMPLIFIER UNIT (PD56-6/10) X73-1690-00

REP. NO	PARTS NO	NAME & DESCRIPTION
	E23-0047-04	TERMINAL
	F01-0846-05	HEAT SINK
	F01-0856-14	HEAT SINK
	J25-5159-12	PCB (UNMOUNTED)
	N09-0623-04	SCREW M 3X8
	212-1018-05	TUBE (PLASTIC)
	212-2010-05	TUBE (PLASTIC)
C001	CF92V1H473J	CAP. POLYESTER 0.047 5% 50V
C002	CF92V1H473J	CAP. POLYESTER 0.047 5% 50V
C003	C90-0924-05	CAP. ELECTRO 330 50V
C004	CE04W1E100M	CAP. ELECTRO 10 20% 25V
C005	CE04D1E221M	CAP. ELECTRO 220 20% 25V
C006	C90-0939-05	CAP. ELECTRO 470 35V
C007	CE04W1E100M	CAP. ELECTRO 10 20% 25V
C008	CE04W1E100M	CAP. ELECTRO 10 20% 25V
C009	CE04D1E221M	CAP. ELECTRO 220 20% 25V
C010	C90-0924-05	CAP. ELECTRO 330 50V
C011	CE04W1E101M	CAP. ELECTRO 100 20% 25V
C012	CE04W1HR33M	CAP. ELECTRO 0.33 20% 50V
C013	CE04W1H4R7M	CAP. ELECTRO 4.7 20% 50V
C014	CE04W1E100M	CAP. ELECTRO 10 20% 25V
C015	CE04W1H010M	CAP. ELECTRO 1 20% 50V
C016	CC45CH1H101J	CAP. CERAMIC 100P 5% 50V
C017	CE04W1H010M	CAP. ELECTRO 1 20% 50V
C018	CC45CH1H101J	CAP. CERAMIC 100P 5% 50V
C019	CE04W1JR82M	CAP. ELECTRO 0.82 20% 63V
C020	C092P2A471J	CAP. NYLAR 470P 5% 100V
C021	NO USE	
C022	C092P2A332J	CAP. NYLAR 3300P 5% 100V
C023	NO USE	
C024	CF92V1H332J	CAP. POLYESTER 3300P 5% 50V
C028	CC45CH1H101J	CAP. CERAMIC 100P 5% 50V
C029	NO USE	
C030	CC45CH1H101J	CAP. CERAMIC 100P 5% 50V
C031	CF92V1H103J	CAP. POLYESTER 0.01 5% 50V
C032	CC45CH1H101J	CAP. CERAMIC 100P 5% 50V
C033	CF92V1H103J	CAP. POLYESTER 0.01 5% 50V
C034	CF92V1H103J	CAP. POLYESTER 0.01 5% 50V
C035	CF92V1H103J	CAP. POLYESTER 0.01 5% 50V
C036	CF92V1H473J	CAP. POLYESTER 0.047 5% 50V
C037	CF92V1H103J	CAP. POLYESTER 0.01 5% 50V
C038	CF92V1H473J	CAP. POLYESTER 0.047 5% 50V
C039	CF92V1H473J	CAP. POLYESTER 0.047 5% 50V
C040	CF92V1H473J	CAP. POLYESTER 0.047 5% 50V
C041	CF92V1H473J	CAP. POLYESTER 0.047 5% 50V
C042	CC45CH1H101J	CAP. CERAMIC 100P 5% 50V
C043	CC45CH1H101J	CAP. CERAMIC 100P 5% 50V
C044	CF92V1H472J	CAP. POLYESTER 4700P 5% 50V
C045	CF92V1H472J	CAP. POLYESTER 4700P 5% 50V
C050	CF92V1H473J	CAP. POLYESTER 0.047 5% 50V
C051	CF92V1H473J	CAP. POLYESTER 0.047 5% 50V
C052	C90-0924-05	CAP. ELECTRO 330 50V
C053	CF92V1H103J	CAP. POLYESTER 0.01 5% 50V
C054	CF92V1H103J	CAP. POLYESTER 0.01 5% 50V
C055	CE04W1E100M	CAP. ELECTRO 10 20% 25V
C056	C90-0924-05	CAP. ELECTRO 330 50V

PARTS LIST

REF. NO	PARTS NO	NAME & DESCRIPTION	REF. NO	PARTS NO	NAME & DESCRIPTION
C057	CF92V1H103J	CAP. POLYESTER 0.01 5% 50V	Q005	2SB1015(Y)	TR. SI, PNP
C058	CF92V1H103J	CAP. POLYESTER 0.01 5% 50V	Q006	2SA1175(F)	TR. SI, PNP
C059	CE04W1E100M	CAP. ELECTRO 10 20% 25V	Q007	2SA1175(F)	TR. SI, PNP
C060	CF92V1H103J	CAP. POLYESTER 0.01 5% 50V	Q008	2SC2481(O)	TR. SI, NPN
C061	CC45CH1H470J	CAP. CERAMIC 47P 5% 50V	Q009	2SC3064(F)	TR. SI, NPN
C062	C91-0595-05	CAP. POLYESTER 0.033 2% 50V	Q010	2SC2785(F)	TR. SI, NPN
C063	CC45CH1H101J	CAP. CERAMIC 100P 5% 50V	Q011	2SC2785(F)	TR. SI, NPN
C064	CF92V1H102J	CAP. POLYESTER 1000P 5% 50V	Q012	2SC2459(GR)	TR. SI, NPN
C065	CF92V1H103J	CAP. POLYESTER 0.01 5% 50V	Q013	2SC2481(O)	TR. SI, NPN
C066	CF92V1H472J	CAP. POLYESTER 4700P 5% 50V	Q014	2SK170(BL)	FET, N-CHANNEL
C067	CE04W1E100M	CAP. ELECTRO 10 20% 25V	Q015	2SK170(BL)	FET, N-CHANNEL
C068	CF92V1H103J	CAP. POLYESTER 0.01 5% 50V	Q016	2SK170(BL)	FET, N-CHANNEL
C069	CF92V1H473J	CAP. POLYESTER 0.047 5% 50V	Q017	2SK170(BL)	FET, N-CHANNEL
C073	CF92V1H224J	CAP. POLYESTER 0.22 5% 50V	Q020	2SK170(BL)	FET, N-CHANNEL
C074	CC45CH1H101J	CAP. CERAMIC 100P 5% 50V	Q021	2SC2785(F)	TR. SI, NPN
C075	NO USE		Q022	2SC2481(O)	TR. SI, NPN
C076	CE04W1C471M	CAP. ELECTRO 470 20% 16V	Q023	2SC2481(O)	TR. SI, NPN
D001	S1VB20	DIODE	R001	RD14BB2C101J	RES. CARBON 100 5% 1/6W
D002	S1VB20	DIODE	R002	RD14BB2C101J	RES. CARBON 100 5% 1/6W
D003	DSA1A2	DIODE	R003	RD14DB3D471J	RES. CARBON 470 5% 2W
D004	DSA1A2	DIODE	R004	R92-1161-05	RES. CARBON 560 5% 1/4W
D005	NO USE		R005	RD14DB2H512J	RES. CARBON 5.1K 5% 1/2W
D006	RD13F(B2)	DIODE ZENER 13V	R006	RD14BB2C102J	RES. CARBON 1K 5% 1/6W
D007	HTZ9.1JC	DIODE ZENER 9V	R007	RD14DB2H2R7J	RES. CARBON 2.7 5% 1/2W
D008	1SS132	DIODE	R008	RD14BB2C153J	RES. CARBON 15K 5% 1/6W
D009	RD13F(B2)	DIODE ZENER 13V	R009	R92-1144-05	RES. METAL FILM 7.5K 1% 1/5W
D010	HTZ9.1JC	DIODE ZENER 9V	R010	R92-1144-05	RES. METAL FILM 7.5K 1% 1/5W
D011	1SS132	DIODE	R011	RD14DB3D471J	RES. CARBON 470 5% 2W
D012	HTZ4.7JA	DIODE ZENER 4.5V	R012	R92-1161-05	RES. CARBON 560 5% 1/4W
D013	1SS132	DIODE	R013	RD14DB2H512J	RES. CARBON 5.1K 5% 1/2W
D014	1SZ59(T)	DIODE ZENER 6.25V	R014	RD14BB2C102J	RES. CARBON 1K 5% 1/6W
D015	1SZ59(T)	DIODE ZENER 6.25V	R015	RD14DB2H2R7J	RES. CARBON 2.7 5% 1/2W
D016	1SS132	DIODE	R016	RD14BB2C153J	RES. CARBON 15K 5% 1/6W
D017	1SS132	DIODE	R017	RD14BB2C682J	RES. CARBON 6.8K 5% 1/6W
D018	1SS132	DIODE	R018	R92-1138-05	RES. METAL FILM 360 1% 1/5W
D019	1SS132	DIODE	R019	R92-1131-05	RES. METAL FILM 430 1% 1/5W
D020	1SS132	DIODE	R020	R92-1139-05	RES. METAL FILM 3.09K 1% 1/5W
D021	1SS132	DIODE	R021	R92-1140-05	RES. METAL FILM 4.3K 1% 1/5W
D022	1SS132	DIODE	R024	RD14BB2C153J	RES. CARBON 15K 5% 1/6W
D023	1SS132	DIODE	R025	RD14BB2C153J	RES. CARBON 15K 5% 1/6W
D024	1SS132	DIODE	R026	RD14BB2C243J	RES. CARBON 24K 5% 1/6W
D025	1SS132	DIODE	R027	RD14BB2C121J	RES. CARBON 120 5% 1/6W
D026	1SS132	DIODE	R028	RD14BB2C182J	RES. CARBON 1.8K 5% 1/6W
D027	1SS132	DIODE	R029	RD14BB2C181J	RES. CARBON 180 5% 1/6W
D028	HTZ5.1JB	DIODE, ZENER 5V	R030	RN14BE2E5101D	RES. METAL FILM 5.1K 0.5% 1/4W
D029	1SS132	DIODE	R031	RD14BB2C102J	RES. CARBON 1K 5% 1/6W
D030	HTZ5.1JB	DIODE, ZENER 5V	R032	R92-1150-05	RES. METAL FILM 100K 1% 1/5W
D031	DSA1A2	DIODE	R033	R92-1138-05	RES. METAL FILM 360 1% 1/5W
D032	DSA1A2	DIODE	R034	RD14BB2C151J	RES. CARBON 150 5% 1/6W
D040	S1VB20	DIODE	R035	R92-1146-05	RES. METAL FILM 11K 1% 1/5W
D041	S1VB20	DIODE	R036	RN14BE2E5601D	RES. METAL FILM 5.6K 0.5% 1/4W
D042	DSA1A2	DIODE	R037	RD14BB2C102J	RES. CARBON 1K 5% 1/6W
D043	DSA1A2	DIODE	R038	R92-1150-05	RES. METAL FILM 100K 1% 1/5W
D044	DSA1A2	DIODE	R039	R92-1138-05	RES. METAL FILM 360 1% 1/5W
D045	DSA1A2	DIODE	R040	RD14BB2C221J	RES. CARBON 220 5% 1/6W
D046	HTZ6.2JB	DIODE ZENER 6.1V	R041	NO USE	
D047	1SS132	DIODE	R042	RN14BE2H1002D	RES. METAL FILM 10K 0.5% 1/2W
D048	1SS132	DIODE	R043	RN14BE2H2802D	RES. METAL FILM 28K 0.5% 1/2W
D049	1SS132	DIODE	R044	RN14BE2H2802D	RES. METAL FILM 28K 0.5% 1/2W
D050	1SS132	DIODE	R045	RN14BE2H1002D	RES. METAL FILM 10K 0.5% 1/2W
D051	RD10F(B2)	DIODE ZENER 10V	R046	RN14BE2H3740D	RES. METAL FILM 374 0.5% 1/2W
D052	RD10F(B2)	DIODE ZENER 10V	R047	RD14BB2C102J	RES. CARBON 1K 5% 1/6W
D053	1SS132	DIODE	R048	RD14BB2C102J	RES. CARBON 1K 5% 1/6W
D054	1SS132	DIODE	R049	R92-1148-05	RES. METAL FILM 18K 1% 1/5W
D055	1SS132	DIODE	R050	RD14BB2C102J	RES. CARBON 1K 5% 1/6W
D056	1SS132	DIODE	R051	RD14BB2C102J	RES. CARBON 1K 5% 1/6W
D057	1SS132	DIODE	R052	R92-1134-05	RES. METAL FILM 1K 1% 1/5W
D058	1SS132	DIODE	R053	RD14BB2C162J	RES. CARBON 1.6K 5% 1/6W
D059	HTZ8.2JC	DIODE ZENER 9.6V	R054	R92-1140-05	RES. METAL FILM 4.3K 1% 1/5W
D060	1SS132	DIODE	R055	R92-1131-05	RES. METAL FILM 430 1% 1/5W
D061	1SS132	DIODE	R056	RD14BB2C122J	RES. CARBON 1.2K 5% 1/6W
D062	1SS132	DIODE	R057	RD14BB2C101J	RES. CARBON 100 5% 1/6W
D063	1SS132	DIODE	R058	RD14BB2C102J	RES. CARBON 1K 5% 1/6W
D064	1SS132	DIODE	R059	RD14BB2C102J	RES. CARBON 1K 5% 1/6W
D065	1SS132	DIODE	R060	RD14BB2C102J	RES. CARBON 1K 5% 1/6W
P003	E40-0273-05	PIN CONNECTOR 2 P	R061	RD14BB2C102J	RES. CARBON 1K 5% 1/6W
P004	E40-0273-05	PIN CONNECTOR 2 P	R062	RD14BB2C122J	RES. CARBON 1.2K 5% 1/6W
Q001	2SD1406(Y)	TR. SI, NPN	R063	RD14BB2C473J	RES. CARBON 47K 5% 1/6W
Q002	2SC2785(F)	TR. SI, NPN	R064	R92-1145-05	RES. METAL FILM 10K 1% 1/5W
Q003	2SC2785(F)	TR. SI, NPN	R065	RD14DB3A101J	RES. CARBON 100 5% 1W
Q004	2SA1021(O)	TR. SI, PNP	R066	R92-1132-05	RES. METAL FILM 712 1% 1/5W
			R067	RD14BB2C104J	RES. CARBON 100K 5% 1/6W
			R068	R92-1150-05	RES. METAL FILM 100K 1% 1/5W

PARTS LIST

REF. NO	PARTS NO	NAME & DESCRIPTION
R069	R92-1141-05	RES. METAL FILM 4.7K 1% 1/5W
R070	R92-1137-05	RES. METAL FILM 150 1% 1/5W
R071	RD14BB2C471J	RES. CARBON 470 5% 1/6W
R072	R92-1143-05	RES. METAL FILM 6.8K 1% 1/5W
R073	R92-1148-05	RES. METAL FILM 18K 1% 1/5W
R074	RD14BB2C104J	RES. CARBON 100K 5% 1/6W
R075	RD14BB2C104J	RES. CARBON 100K 5% 1/6W
R076	R92-1150-05	RES. METAL FILM 100K 1% 1/5W
R077	R92-1141-05	RES. METAL FILM 4.7K 1% 1/5W
R078	R92-1137-05	RES. METAL FILM 150 1% 1/5W
R079	RD14BB2C471J	RES. CARBON 470 5% 1/6W
R080	R92-1143-05	RES. METAL FILM 6.8K 1% 1/5W
R081	R92-1148-05	RES. METAL FILM 18K 1% 1/5W
R082	R92-1142-05	RES. METAL FILM 5.1K 1% 1/5W
R083	RD14BB2C104J	RES. CARBON 100K 5% 1/6W
R084	R92-1150-05	RES. METAL FILM 100K 1% 1/5W
R085	R92-1136-05	RES. METAL FILM 82 1% 1/5W
R086	RD14BB2C101J	RES. CARBON 100 5% 1/6W
R087	R92-1142-05	RES. METAL FILM 5.1K 1% 1/5W
R088	R92-1145-05	RES. METAL FILM 10K 1% 1/5W
R089	RD14BB2C333J	RES. CARBON 33K 5% 1/6W
R090	RD14BB2C333J	RES. CARBON 33K 5% 1/6W
R091	NO USE	
R092	RD14BB2C153J	RES. CARBON 15K 5% 1/6W
R093	RD14BB2C473J	RES. CARBON 47K 5% 1/6W
R094	RD14BB2C473J	RES. CARBON 47K 5% 1/6W
R095	RD14BB2C241J	RES. CARBON 240 5% 1/6W
R098	R92-1061-05	JUMPING RES. ZERO OHM
R099	NO USE	
R100	RD14BB2C101J	RES. CARBON 100 5% 1/6W
R101	RD14BB2C101J	RES. CARBON 100 5% 1/6W
R102	RD14BB2H392J	RES. CARBON 3.9K 5% 1/2W
R103	RD14BB2C103J	RES. CARBON 10K 5% 1/6W
R104	RD14BB2C153J	RES. CARBON 15K 5% 1/6W
R105	RD14BB2C123J	RES. CARBON 12K 5% 1/6W
R106	RD14BB2C332J	RES. CARBON 3.3K 5% 1/6W
R107	RD14BB2C472J	RES. CARBON 4.7K 5% 1/6W
R108	R92-1152-05	RES. METAL FILM 470K 1% 1/5W
R109	RD14BB2C104J	RES. CARBON 100K 5% 1/6W
R110	RD14BB2C222J	RES. CARBON 2.2K 5% 1/6W
R111	R92-1149-05	RES. METAL FILM 22K 1% 1/5W
R112	RD14BB2C682J	RES. CARBON 6.8K 5% 1/6W
R113	R92-1151-05	RES. METAL FILM 330K 1% 1/5W
R114	RD14BB2C470J	RES. CARBON 47 5% 1/6W
R115	RD14BB2C104J	RES. CARBON 100K 5% 1/6W
R116	RD14BB2C472J	RES. CARBON 4.7K 5% 1/6W
R117	NO USE	
R118	RD14BB2C103J	RES. CARBON 10K 5% 1/6W
R119	RD14BB2C122J	RES. CARBON 1.2K 5% 1/6W
R120	RD14BB3D472J	RES. CARBON 4.7K 5% 2W
R121	RD14BB2C104J	RES. CARBON 100K 5% 1/6W
R122	R92-1076-05	RES. METAL GLAZE 27M 5% 1/2W
R123	RD14BB2C472J	RES. CARBON 4.7K 5% 1/6W
R124	RD14BB2C105J	RES. CARBON 1M 5% 1/6W
R127	RD14BB2C911J	RES. CARBON 910 5% 1/6W
R128	R92-1133-05	RES. METAL FILM 5.6K 1% 1/5W
R129	RD14BB2C472J	RES. CARBON 4.7K 5% 1/6W
R130	RD14BB2C103J	RES. CARBON 10K 5% 1/6W
R131	R92-1149-05	RES. METAL FILM 22K 1% 1/5W
R132	RD14BB2C102J	RES. CARBON 1K 5% 1/6W
R133	RD14BB2C103J	RES. CARBON 10K 5% 1/6W
R134	RD14BB2C103J	RES. CARBON 10K 5% 1/6W
R135	RD14BB2C102J	RES. CARBON 1K 5% 1/6W
R136	RD14BB2C472J	RES. CARBON 4.7K 5% 1/6W
R137	RD14BB2C102J	RES. CARBON 1K 5% 1/6W
R138	RD14BB2C102J	RES. CARBON 1K 5% 1/6W
R139	RD14BB3A330J	RES. CARBON 33 5% 1W
R140	RD14BB3A330J	RES. CARBON 33 5% 1W
R141	RD14BB2H102J	RES. CARBON 1K 5% 1/2W
R142	RD14BB2H102J	RES. CARBON 1K 5% 1/2W
R143	R92-0150-05	JUMPING RES. ZERO OHM
R144	RD14BB2C103J	RES. CARBON 10K 5% 1/6W
R041	R92-1147-05	RES. METAL FILM 16.2K 1% 1/5W
R117	RD14BB2C224J	RES. CARBON 220K 5% 1/6W
U001	NJH072D	PET INPUT OPERATION AMPLIFIER
U002	NJH7815A	IC, VOLTAGE REGULATOR
U003	NJH072D	PET INPUT OPERATION AMPLIFIER
U004	OP07DP	OPERATIONAL AMPRIIFIER
U005	OP07DP	OPERATIONAL AMPRIIFIER
U006	UPC4558C	OPERATIONAL AMPRIIFIER
U007	NJH072D	PET INPUT OPERATION AMPLIFIER
U010	NJH7815A	IC, VOLTAGE REGULATOR
U011	UPC7915HA	IC, VOLTAGE REGULATOR

REF. NO	PARTS NO	NAME & DESCRIPTION
U012	UPC4558C	OPERATIONAL AMPRIIFIER
U013	NJH072D	PET INPUT OPERATION AMPLIFIER
U014	HAI7555PS	TIMER
U015	TLP521-1(A)	PHOTO COUPLER
VR001	R12-1532-05	RES. SEMI FIXED 2K B
VR002	R12-4511-05	RES. SEMI FIXED 50K B
VR003	R12-2518-05	RES. SEMI FIXED 5K B
VR004	R12-4511-05	RES. SEMI FIXED 50K B
VR005	R12-3522-05	RES. SEMI FIXED 10K B
VR006	R12-3523-05	RES. SEMI FIXED 20K B
VR007	R12-2513-05	RES. SEMI FIXED 5K B
VR008	R12-4508-05	RES. SEMI FIXED 50K B
VR009	R12-2513-05	RES. SEMI FIXED 5K B
VR010	R12-4508-05	RES. SEMI FIXED 50K B
VR011	R12-4508-05	RES. SEMI FIXED 50K B
VR020	R12-3522-05	RES. SEMI FIXED 10K B

AMPLIFIER UNIT (PD56-6D/10D) X73-1700-00

REF. NO	PARTS NO	NAME & DESCRIPTION
E23	0047-04	TERMINAL
F01	0846-05	HEAT SINK
F01	0856-14	HEAT SINK
J25	5159-12	PCB (UNMOUNTED)
N09	0623-04	SCREW M 3X8
212	1018-05	TUBE (PLASTIC)
212	2010-05	TUBE (PLASTIC)
C001	CF92V1H473J	CAP. POLYESTER 0.047 5% 50V
C002	CF92V1H473J	CAP. POLYESTER 0.047 5% 50V
C003	C90-0924-05	CAP. ELECTRO 330 50V
C004	CE04W1E100M	CAP. ELECTRO 10 20% 25V
C005	CE04DW1E221M	CAP. ELECTRO 220 20% 25V
C006	C90-0939-05	CAP. ELECTRO 470 35V
C007	CE04W1E100M	CAP. ELECTRO 10 20% 25V
C008	CE04W1E100M	CAP. ELECTRO 10 20% 25V
C009	CE04DW1E221M	CAP. ELECTRO 220 20% 25V
C010	C90-0924-05	CAP. ELECTRO 330 50V
C011	CE04W1E101M	CAP. ELECTRO 100 20% 25V
C012	CE04W1HR33M	CAP. ELECTRO 0.33 20% 50V
C013	CE04W1H4R7M	CAP. ELECTRO 4.7 20% 50V
C014	CE04W1E100M	CAP. ELECTRO 10 20% 25V
C015	CE04AW1H010M	CAP. ELECTRO 1 20% 50V
C016	CC45CH1H101J	CAP. CERAMIC 100P 5% 50V
C017	CE04AW1H010M	CAP. ELECTRO 1 20% 50V
C018	CC45CH1H101J	CAP. CERAMIC 100P 5% 50V
C019	CE04AW1JR82M	CAP. ELECTRO 0.82 20% 63V
C020	CQ92P2A471J	CAP. NYLAR 470P 5% 100V
C021	NO USE	
C022	CQ92P2A332J	CAP. NYLAR 3300P 5% 100V
C023	NO USE	
C024	CF92V1H332J	CAP. POLYESTER 3300P 5% 50V
C028	CC45CH1H101J	CAP. CERAMIC 100P 5% 50V
C029	NO USE	
C030	CC45CH1H101J	CAP. CERAMIC 100P 5% 50V
C031	CF92V1H103J	CAP. POLYESTER 0.01 5% 50V
C032	CC45CH1H101J	CAP. CERAMIC 100P 5% 50V
C033	CF92V1H103J	CAP. POLYESTER 0.01 5% 50V
C034	CF92V1H103J	CAP. POLYESTER 0.01 5% 50V
C035	CF92V1H103J	CAP. POLYESTER 0.01 5% 50V
C036	CF92V1H473J	CAP. POLYESTER 0.047 5% 50V
C037	CF92V1H103J	CAP. POLYESTER 0.01 5% 50V
C038	CF92V1H473J	CAP. POLYESTER 0.047 5% 50V
C039	CF92V1H473J	CAP. POLYESTER 0.047 5% 50V
C040	CF92V1H473J	CAP. POLYESTER 0.047 5% 50V
C041	CF92V1H473J	CAP. POLYESTER 0.047 5% 50V
C042	CC45CH1H101J	CAP. CERAMIC 100P 5% 50V
C043	CC45CH1H101J	CAP. CERAMIC 100P 5% 50V
C044	CF92V1H472J	CAP. POLYESTER 4700P 5% 50V
C045	CF92V1H472J	CAP. POLYESTER 4700P 5% 50V
C050	CF92V1H473J	CAP. POLYESTER 0.047 5% 50V
C051	CF92V1H473J	CAP. POLYESTER 0.047 5% 50V
C052	C90-0924-05	CAP. ELECTRO 330 50V
C053	CF92V1H103J	CAP. POLYESTER 0.01 5% 50V
C054	CF92V1H103J	CAP. POLYESTER 0.01 5% 50V
C055	CE04W1E100M	CAP. ELECTRO 10 20% 25V
C056	C90-0924-05	CAP. ELECTRO 330 50V
C057	CF92V1H103J	CAP. POLYESTER 0.01 5% 50V
C058	CF92V1H103J	CAP. POLYESTER 0.01 5% 50V
C059	CE04W1E100M	CAP. ELECTRO 10 20% 25V

PARTS LIST

REF. NO	PARTS NO	NAME & DESCRIPTION	REF. NO	PARTS NO	NAME & DESCRIPTION
C060	CF92V1H103J	CAP. POLYESTER 0.01 5% 50V	D062	1SS132	DIODE
C061	CC45CH1H470J	CAP. CERAMIC 47P 5% 50V	D063	1SS132	DIODE
C062	C91-0595-05	CAP. POLYESTER 0.033 2% 50V	D064	1SS132	DIODE
C063	CC45CH1H101J	CAP. CERAMIC 100P 5% 50V	D065	1SS132	DIODE
C064	CF92V1H102J	CAP. POLYESTER 1000P 5% 50V	D201	S1VB20	DIODE
C065	CF92V1H103J	CAP. POLYESTER 0.01 5% 50V	D202	S1VB20	DIODE
C066	CF92V1H472J	CAP. POLYESTER 4700P 5% 50V	P003	E40-0273-05	PIN CONNECTOR 2 P
C067	CE04W1E100M	CAP. ELECTRO 10 20% 25V	P004	E40-0273-05	PIN CONNECTOR 2 P
C068	CF92V1H103J	CAP. POLYESTER 0.01 5% 50V	P201	E40-0673-05	PIN CONNECTOR 6 P
C069	CF92V1H473J	CAP. POLYESTER 0.047 5% 50V	P202	E40-0373-05	PIN CONNECTOR 3 P
C070	CE04W1E100M	CAP. ELECTRO 10 20% 25V	P203	E40-0373-05	PIN CONNECTOR 3 P
C071	CE04W1E100M	CAP. ELECTRO 10 20% 25V	P204	E40-0673-05	PIN CONNECTOR 6 P
C072	NO USE		P205	E40-0273-05	PIN CONNECTOR 2 P
C073	CF92V1H224J	CAP. POLYESTER 0.22 5% 50V	Q001	2SD1406(Y)	TR. SI, NPN
C074	CC45CH1H101J	CAP. CERAMIC 100P 5% 50V	Q002	2SC2785(F)	TR. SI, NPN
C075	NO USE		Q003	2SC2785(F)	TR. SI, NPN
C076	CE04W1C471M	CAP. ELECTRO 470 20% 16V	Q004	2SA1021(O)	TR. SI, PNP
C201	CE04W1E471M	CAP. ELECTRO 470 20% 25V	Q005	2SB1015(Y)	TR. SI, PNP
C202	CE04W1E470M	CAP. ELECTRO 47 20% 25V	Q006	2SA1175(F)	TR. SI, PNP
C203	CE04W1E471M	CAP. ELECTRO 470 20% 25V	Q007	2SA1175(F)	TR. SI, PNP
C204	CE04W1E470M	CAP. ELECTRO 47 20% 25V	Q008	2SC2481(O)	TR. SI, NPN
C205	CF92V1H473J	CAP. POLYESTER 0.047 5% 50V	Q009	2SC3064(F)	TR. SI, NPN
C206	CF92V1H103J	CAP. POLYESTER 0.01 5% 50V	Q010	2SC2785(F)	TR. SI, NPN
C207	CF92V1H473J	CAP. POLYESTER 0.047 5% 50V	Q011	2SC2785(F)	TR. SI, NPN
C208	CF92V1H103J	CAP. POLYESTER 0.01 5% 50V	Q012	2SC2459(GR)	TR. SI, NPN
C209	CF92V1H473J	CAP. POLYESTER 0.047 5% 50V	Q013	2SC2481(O)	TR. SI, NPN
C210	CF92V1H103J	CAP. POLYESTER 0.01 5% 50V	Q016	2SK170(BL)	FET, N-CHANNEL
C211	CF92V1H473J	CAP. POLYESTER 0.047 5% 50V	Q017	2SK170(BL)	FET, N-CHANNEL
C212	CF92V1H103J	CAP. POLYESTER 0.01 5% 50V	Q020	2SK170(BL)	FET, N-CHANNEL
D001	S1VB20	DIODE	Q021	2SC2785(F)	TR. SI, NPN
D002	S1VB20	DIODE	Q022	2SC2481(O)	TR. SI, NPN
D003	DSA1A2	DIODE	Q023	2SC2481(O)	TR. SI, NPN
D004	DSA1A2	DIODE	R001	RD14BB2C101J	RES. CARBON 100 5% 1/6W
D005	NO USE		R002	RD14BB2C101J	RES. CARBON 100 5% 1/6W
D006	RD13F(B2)	DIODE ZENER 13V	R003	RD14BB2C101J	RES. CARBON 470 5% 2W
D007	MTZ9.1JC	DIODE ZENER 9V	R004	R92-1161-05	RES. CARBON 560 5% 1/4W
D008	1SS132	DIODE	R005	RD14DB2H512J	RES. CARBON 5.1K 5% 1/2W
D009	RD13F(B2)	DIODE ZENER 13V	R006	RD14BB2C102J	RES. CARBON 1K 5% 1/6W
D010	MTZ9.1JC	DIODE ZENER 9V	R007	RD14DB2H2R7J	RES. CARBON 2.7 5% 1/2W
D011	1SS132	DIODE	R008	RD14BB2C153J	RES. CARBON 15K 5% 1/6W
D012	MTZ4.7JA	DIODE ZENER 4.5V	R009	R92-1144-05	RES. METAL FILM 7.5K 1% 1/5W
D013	1SS132	DIODE	R010	R92-1144-05	RES. METAL FILM 7.5K 1% 1/5W
D014	1SZ59(T)	DIODE ZENER 6.25V	R011	RD14DB3D471J	RES. CARBON 470 5% 2W
D015	1SZ59(T)	DIODE ZENER 6.25V	R012	R92-1161-05	RES. CARBON 560 5% 1/4W
D016	1SS132	DIODE	R013	RD14DB2H512J	RES. CARBON 5.1K 5% 1/2W
D017	1SS132	DIODE	R014	RD14BB2C102J	RES. CARBON 1K 5% 1/6W
D018	1SS132	DIODE	R015	RD14DB2H2R7J	RES. CARBON 2.7 5% 1/2W
D019	1SS132	DIODE	R016	RD14BB2C153J	RES. CARBON 15K 5% 1/6W
D020	1SS132	DIODE	R017	RD14BB2C682J	RES. CARBON 6.8K 5% 1/6W
D021	1SS132	DIODE	R018	R92-1138-05	RES. METAL FILM 360 1% 1/5W
D022	1SS132	DIODE	R019	R92-1131-05	RES. METAL FILM 430 1% 1/5W
D023	1SS132	DIODE	R020	R92-1139-05	RES. METAL FILM 3.09K 1% 1/5W
D024	1SS132	DIODE	R021	R92-1140-05	RES. METAL FILM 4.3K 1% 1/5W
D025	1SS132	DIODE	R024	RD14BB2C153J	RES. CARBON 15K 5% 1/6W
D026	1SS132	DIODE	R025	RD14BB2C153J	RES. CARBON 15K 5% 1/6W
D027	1SS132	DIODE	R026	RD14BB2C243J	RES. CARBON 24K 5% 1/6W
D028	MTZ5.1JB	DIODE ZENER 5V	R027	RD14BB2C121J	RES. CARBON 120 5% 1/6W
D029	1SS132	DIODE	R028	RD14BB2C182J	RES. CARBON 1.8K 5% 1/6W
D030	MTZ5.1JB	DIODE ZENER 5V	R029	RD14BB2C181J	RES. CARBON 180 5% 1/6W
D031	DSA1A2	DIODE	R030	RN14BE2E5101D	RES. METAL FILM 5.1K 0.5% 1/4W
D032	DSA1A2	DIODE	R031	RD14BB2C102J	RES. CARBON 1K 5% 1/6W
D040	S1VB20	DIODE	R032	R92-1150-05	RES. METAL FILM 100K 1% 1/5W
D041	S1VB20	DIODE	R033	R92-1138-05	RES. METAL FILM 360 1% 1/5W
D042	DSA1A2	DIODE	R034	RD14BB2C151J	RES. CARBON 150 5% 1/6W
D043	DSA1A2	DIODE	R035	R92-1146-05	RES. METAL FILM 11K 1% 1/5W
D044	DSA1A2	DIODE	R036	RN14BE2E5601D	RES. METAL FILM 5.6K 0.5% 1/4W
D045	DSA1A2	DIODE	R037	RD14BB2C102J	RES. CARBON 1K 5% 1/6W
D046	MTZ6.2JB	DIODE ZENER 6.1V	R038	R92-1150-05	RES. METAL FILM 100K 1% 1/5W
D047	1SS132	DIODE	R039	R92-1138-05	RES. METAL FILM 360 1% 1/5W
D048	1SS132	DIODE	R040	RD14BB2C221J	RES. CARBON 220 5% 1/6W
D049	1SS132	DIODE	R041	R92-1147-05	RES. METAL FILM 16.2K 1% 1/5W
D050	1SS132	DIODE	R042	RN14BE2H1002D	RES. METAL FILM 10K 0.5% 1/2W
D051	RD10F(B2)	DIODE ZENER 10V	R043	RN14BE2H2802D	RES. METAL FILM 28K 0.5% 1/2W
D052	RD10F(B2)	DIODE ZENER 10V	R044	RN14BE2H2802D	RES. METAL FILM 28K 0.5% 1/2W
D053	1SS132	DIODE	R045	RN14BE2H1002D	RES. METAL FILM 10K 0.5% 1/2W
D054	1SS132	DIODE	R046	RN14BE2H3740D	RES. METAL FILM 374 0.5% 1/2W
D055	1SS132	DIODE	R047	RD14BB2C102J	RES. CARBON 1K 5% 1/6W
D056	1SS132	DIODE	R048	RD14BB2C102J	RES. CARBON 1K 5% 1/6W
D057	1SS132	DIODE			
D058	1SS132	DIODE			
D059	MTZ8.2JC	DIODE ZENER 9.6V			
D060	1SS132	DIODE			
D061	1SS132	DIODE			

PARTS LIST

REF. NO	PARTS NO	NAME & DESCRIPTION
R049	R92-1148-05	RES. METAL FILM 18K 1% 1/5W
R050	RD14BB2C102J	RES. CARBON 1K 5% 1/6W
R051	RD14BB2C102J	RES. CARBON 1K 5% 1/6W
R052	R92-1134-05	RES. METAL FILM 1K 1% 1/5W
R053	RD14BB2C162J	RES. CARBON 1.6K 5% 1/6W
R054	R92-1140-05	RES. METAL FILM 4.3K 1% 1/5W
R055	R92-1131-05	RES. METAL FILM 430 1% 1/5W
R056	RD14BB2C122J	RES. CARBON 1.2K 5% 1/6W
R057	RD14BB2C101J	RES. CARBON 100 5% 1/6W
R058	RD14BB2C102J	RES. CARBON 1K 5% 1/6W
R059	RD14BB2C102J	RES. CARBON 1K 5% 1/6W
R060	RD14BB2C102J	RES. CARBON 1K 5% 1/6W
R061	RD14BB2C102J	RES. CARBON 1K 5% 1/6W
R062	RD14BB2C122J	RES. CARBON 1.2K 5% 1/6W
R063	RD14BB2C473J	RES. CARBON 47K 5% 1/6W
R064	R92-1145-05	RES. METAL FILM 10K 1% 1/5W
R065	RD14DB3A101J	RES. CARBON 100 5% 1W
R066	R92-1132-05	RES. METAL FILM 712 1% 1/5W
R067	RD14BB2C104J	RES. CARBON 100K 5% 1/6W
R068	R92-1150-05	RES. METAL FILM 100K 1% 1/5W
R069	R92-1141-05	RES. METAL FILM 4.7K 1% 1/5W
R070	R92-1137-05	RES. METAL FILM 150 1% 1/5W
R071	RD14BB2C471J	RES. CARBON 470 5% 1/6W
R072	R92-1143-05	RES. METAL FILM 6.8K 1% 1/5W
R072	R92-1143-05	RES. METAL FILM 6.8K 1% 1/5W
R073	R92-1061-05	JUMPING RES. ZERO OHM
R074	RD14BB2C104J	RES. CARBON 100K 5% 1/6W
R075	RD14BB2C104J	RES. CARBON 100K 5% 1/6W
R076	R92-1150-05	RES. METAL FILM 100K 1% 1/5W
R077	R92-1141-05	RES. METAL FILM 4.7K 1% 1/5W
R078	R92-1137-05	RES. METAL FILM 150 1% 1/5W
R079	RD14BB2C471J	RES. CARBON 470 5% 1/6W
R080	R92-1143-05	RES. METAL FILM 6.8K 1% 1/5W
R080	R92-1145-05	RES. METAL FILM 10K 1% 1/5W
R081	R92-1061-05	JUMPING RES. ZERO OHM
R082	R92-1142-05	RES. METAL FILM 5.1K 1% 1/5W
R083	RD14BB2C104J	RES. CARBON 100K 5% 1/6W
R084	R92-1150-05	RES. METAL FILM 100K 1% 1/5W
R085	R92-1136-05	RES. METAL FILM 82 1% 1/5W
R086	RD14BB2C101J	RES. CARBON 100 5% 1/6W
R087	R92-1142-05	RES. METAL FILM 5.1K 1% 1/5W
R088	R92-1145-05	RES. METAL FILM 10K 1% 1/5W
R089	RD14BB2C333J	RES. CARBON 33K 5% 1/6W
R090	RD14BB2C333J	RES. CARBON 33K 5% 1/6W
R091	NO USE	
R092	RD14BB2C153J	RES. CARBON 15K 5% 1/6W
R093	RD14BB2C473J	RES. CARBON 47K 5% 1/6W
R094	RD14BB2C473J	RES. CARBON 47K 5% 1/6W
R095	RD14BB2C241J	RES. CARBON 240 5% 1/6W
R100	RD14BB2C101J	RES. CARBON 100 5% 1/6W
R101	RD14BB2C101J	RES. CARBON 100 5% 1/6W
R102	RD14DB2H392J	RES. CARBON 3.9K 5% 1/2W
R103	RD14BB2C103J	RES. CARBON 10K 5% 1/6W
R104	RD14BB2C153J	RES. CARBON 15K 5% 1/6W
R105	RD14BB2C123J	RES. CARBON 12K 5% 1/6W
R106	RD14BB2C332J	RES. CARBON 3.3K 5% 1/6W
R107	RD14BB2C472J	RES. CARBON 4.7K 5% 1/6W
R108	R92-1152-05	RES. METAL FILM 470K 1% 1/5W
R109	RD14BB2C104J	RES. CARBON 100K 5% 1/6W
R110	RD14BB2C222J	RES. CARBON 2.2K 5% 1/6W
R111	R92-1149-05	RES. METAL FILM 22K 1% 1/5W
R112	RD14BB2C682J	RES. CARBON 6.8K 5% 1/6W
R113	R92-1151-05	RES. METAL FILM 330K 1% 1/5W
R114	RD14BB2C470J	RES. CARBON 47 5% 1/6W
R115	RD14BB2C104J	RES. CARBON 100K 5% 1/6W
R116	RD14BB2C472J	RES. CARBON 4.7K 5% 1/6W
R117	RD14BB2C224J	RES. CARBON 220K 5% 1/6W
R118	RD14BB2C103J	RES. CARBON 10K 5% 1/6W
R119	RD14BB2C122J	RES. CARBON 1.2K 5% 1/6W
R120	RD14DB3D472J	RES. CARBON 4.7K 5% 2W
R121	RD14BB2C104J	RES. CARBON 100K 5% 1/6W
R122	R92-1076-05	RES. METAL GLAZE 27M 5% 1/2W
R123	RD14BB2C472J	RES. CARBON 4.7K 5% 1/6W
R124	RD14BB2C105J	RES. CARBON 1M 5% 1/6W
R127	RD14BB2C911J	RES. CARBON 910 5% 1/6W
R128	R92-1133-05	RES. METAL FILM 5.6K 1% 1/5W
R129	RD14BB2C472J	RES. CARBON 4.7K 5% 1/6W
R130	RD14BB2C103J	RES. CARBON 10K 5% 1/6W
R131	R92-1149-05	RES. METAL FILM 22K 1% 1/5W
R132	RD14BB2C102J	RES. CARBON 1K 5% 1/6W
R133	RD14BB2C103J	RES. CARBON 10K 5% 1/6W
R134	RD14BB2C103J	RES. CARBON 10K 5% 1/6W

REF. NO	PARTS NO	NAME & DESCRIPTION
R135	RD14BB2C102J	RES. CARBON 1K 5% 1/6W
R136	RD14BB2C472J	RES. CARBON 4.7K 5% 1/6W
R137	RD14BB2C102J	RES. CARBON 1K 5% 1/6W
R138	RD14BB2C102J	RES. CARBON 1K 5% 1/6W
R139	RD14DB3A330J	RES. CARBON 33 5% 1W
R140	RD14DB3A330J	RES. CARBON 33 5% 1W
R141	RD14DB2H102J	RES. CARBON 1K 5% 1/2W
R142	RD14DB2H102J	RES. CARBON 1K 5% 1/2W
R143	R92-0150-05	JUMPING RES. ZERO OHM
R144	RD14BB2C103J	RES. CARBON 10K 5% 1/6W
U001	NJH072D	FET INPUT OPERATION AMPLIFIER
U002	NJH7815A	IC, VOLTAGE REGULATOR
U003	NJH072D	FET INPUT OPERATION AMPLIFIER
U004	OP07DP	OPERATIONAL AMPLIFIER
U005	OP07DP	OPERATIONAL AMPLIFIER
U006	UPC4558C	OPERATIONAL AMPLIFIER
U007	NJH072D	FET INPUT OPERATION AMPLIFIER
U010	NJH7815A	IC, VOLTAGE REGULATOR
U011	UPC7915HA	IC, VOLTAGE REGULATOR
U012	UPC4558C	OPERATIONAL AMPLIFIER
U013	NJH072D	FET INPUT OPERATION AMPLIFIER
U014	HA17555PS	TIMER
U015	TLP521-1(A)	PHOTO COUPLER
U201	LM79L05ACZ	REGULATOR
U202	LM79L05ACZ	REGULATOR
VR001	R12-1532-05	RES. SEMI FIXED 2K B
VR002	R12-4511-05	RES. SEMI FIXED 50K B
VR003	R12-2518-05	RES. SEMI FIXED 5K B
VR004	R12-4511-05	RES. SEMI FIXED 50K B
VR005	R12-3533-05	RES. SEMI FIXED 10K
VR006	R12-3534-05	RES. SEMI FIXED 20K
VR007	R12-1531-05	RES. SEMI FIXED 3K B
VR008	R12-4511-05	RES. SEMI FIXED 50K B
VR009	R12-1531-05	RES. SEMI FIXED 3K B
VR010	R12-4511-05	RES. SEMI FIXED 50K B
VR011	R12-4511-05	RES. SEMI FIXED 50K B
VR020	R12-3522-05	RES. SEMI FIXED 10K B
C001	CE04CW1A470H	CAP. ELECTRO 47 20% 10V
C002	CE04CW1A100H	CAP. ELECTRO 10 20% 10V
C003	C91-1204-05	CAP. CERAMIC 0.22 150V
C004	CF92V1H473J	CAP. POLYESTER 0.047 5% 50V
C005	CF92V1H104J	CAP. POLYESTER 0.1 5% 50V
C006	CM93BD2A101J	CAP. NICA 100P 5% 100V
C007	CF92V1H223J	CAP. POLYESTER 0.022 5% 50V
C008	C91-1205-05	CAP. CERAMIC 0.1 50V
C009	NO USE	
C010	CE04CW1V2R2M	CAP. ELECTRO 2.2 20% 35V
C011	C91-0591-05	CAP. CERAMIC 0.22 50V
C031	CE04CW1A470H	CAP. ELECTRO 47 20% 10V
C032	CE04CW1A100H	CAP. ELECTRO 10 20% 10V
C033	C91-1204-05	CAP. CERAMIC 0.22 150V
C034	CF92V1H473J	CAP. POLYESTER 0.047 5% 50V
C035	CF92V1H104J	CAP. POLYESTER 0.1 5% 50V
C036	CM93BD2A101J	CAP. NICA 100P 5% 100V
C037	CF92V1H223J	CAP. POLYESTER 0.022 5% 50V
D001	GL9D03D	DIODE
D002	GL9D03D	DIODE
D003	GL9D03D	DIODE
D004	GL9D03D	DIODE
D005	LT9002D	LED
D006	1SS132	DIODE
D007	1S1544A	DIODE
D008	1S1544A	DIODE
D009	1SS132	DIODE
D031	GL9D03D	DIODE
D032	GL9D03D	DIODE
D033	GL9D03D	DIODE
D034	GL9D03D	DIODE
D035	LT9002D	LED

DIGITAL PANEL METER UNIT (PD56-10D) X76-1260-07

PARTS LIST

REF. NO	PARTS NO	NAME & DESCRIPTION
P003	E31-2513-15	LEAD WIRE WITH CONNECTOR
P004	E31-2512-15	LEAD WIRE WITH CONNECTOR
P204	E31-2520-15	LEAD WIRE WITH CONNECTOR
Q001	DTC144EF	TR. SI, NPN
Q002	DTC144EF	TR. SI, NPN
Q003	DTA124EF	TR. SI, PNP
Q004	2SK117 (GR)	FET. N-CHANNEL
R001	RN14BK2C4703F	RES. METAL FILM 470K 1% 1/6W
R002	RN14BK2C1103F	RES. METAL FILM 110K 1% 1/6W
R003	RD14BB2C182J	RES. CARBON 1.8K 5% 1/6W
R004	RN14BE2E1502F	RES. METAL FILM 15K 1% 1/4W
R005	RN14BE2E1002F	RES. METAL FILM 10K 1% 1/4W
R006	RD14BB2C161J	RES. CARBON 160 5% 1/6W
R009	RD14BB2C123J	RES. CARBON 12K 5% 1/6W
R010	RD14BB2C333J	RES. CARBON 33K 5% 1/6W
R011	RD14BB2C104J	RES. CARBON 100K 5% 1/6W
R012	RD14BB2C104J	RES. CARBON 100K 5% 1/6W
R013	RD14BB2C103J	RES. CARBON 10K 5% 1/6W
R014	R92-1061-05	JUMPING RES. ZERO OHM
R015	RD14BB2C301J	RES. CARBON 300 5% 1/6W
R016	RD14BB2C301J	RES. CARBON 300 5% 1/6W
R017	RD14BB2C103J	RES. CARBON 10K 5% 1/6W
R018	RD14BB2C104J	RES. CARBON 100K 5% 1/6W
R019	RN14BC2E1001F	RES. METAL FILM 1K 1% 1/4W
R022	RN14BK2C1501F	RES. METAL FILM 1.5K 1% 1/6W
R023	RN14BK2C1301F	RES. METAL FILM 1.3K 1% 1/6W
R024	RN14BK2C2201F	RES. METAL FILM 2.2K 1% 1/6W
R025	RN14BC2E1002F	RES. METAL FILM 10K 1% 1/4W
R026	RD14BB2C161J	RES. CARBON 160 5% 1/6W
R027	RD14BB2C364J	RES. CARBON 360K 5% 1/6W
R028	R92-1146-05	RES. METAL FILM 11K 1% 1/5W
R029	R92-1143-05	RES. METAL FILM 6.8K 1% 1/5W
R030	NO USE	
R031	RN14BK2C4703F	RES. METAL FILM 470K 1% 1/6W
R032	RN14BK2C1103F	RES. METAL FILM 110K 1% 1/6W
R033	RD14BB2C182J	RES. CARBON 1.8K 5% 1/6W
R034	RN14BE2E1502F	RES. METAL FILM 15K 1% 1/4W
R035	RN14BE2E1002F	RES. METAL FILM 10K 1% 1/4W
R036	RD14BB2C161J	RES. CARBON 160 5% 1/6W
R037	RD14BB2C391J	RES. CARBON 390 5% 1/6W
R048	RD14BB2C104J	RES. CARBON 100K 5% 1/6W
R049	NO USE	
R050	RN14BC2E6201F	RES. METAL FILM 6.2K 1% 1/4W
R055	RN14BC2E1802F	RES. METAL FILM 18K 1% 1/4W
R056	RD14BB2C161J	RES. CARBON 160 5% 1/6W
R21	RN14BK2C2001F	RES. METAL FILM 2K 1% 1/6W
U001	TSC7107CPL-A	OPERATIONAL AMPLIFIER
U002	LM336Z2.5	2.5V REFERENCE DIODE
U003	LM339N	QUAD COMPARATOR
U004	HC14011BCP	QUAD 2-INPUT NAND GATE
U031	TSC7107CPL-A	OPERATIONAL AMPLIFIER
U032	LM336Z2.5	2.5V REFERENCE DIODE
VR001	R12-3518-05	RES. SEMI FIXED 10K B
VR002	R12-0568-05	RES. SEMI FIXED 500
VR003	R12-0556-05	RES. SEMI FIXED 100 B
VR031	R12-3518-05	RES. SEMI FIXED 10K B
VR032	R12-0568-05	RES. SEMI FIXED 500

DIGITAL PANEL METER UNIT (PD56-6D)

X76-1260-08

REF. NO	PARTS NO	NAME & DESCRIPTION
E33	4072-00	WIRE ASSY
J25	5119-12	PCB (UNMOUNTED)
C001	CE04CW1A470M	CAP. ELECTRO 47 20% 10V
C002	CE04CW1A100M	CAP. ELECTRO 10 20% 10V
C003	C91-1204-05	CAP. CERAMIC 0.22 150V
C004	CF92V1H473J	CAP. POLYESTER 0.047 5% 50V
C005	CF92V1H104J	CAP. POLYESTER 0.1 5% 50V
C006	CM93BD2A101J	CAP. MICA 100P 5% 100V
C007	CF92V1H223J	CAP. POLYESTER 0.022 5% 50V
C008	C91-1205-05	CAP. CERAMIC 0.1 50V
C009	NO USE	

REF. NO	PARTS NO	NAME & DESCRIPTION
C010	CE04CW1V2R2M	CAP. ELECTRO 2.2 20% 35V
C011	C91-0591-05	CAP. CERAMIC 0.22 50V
C031	CE04CW1A470M	CAP. ELECTRO 47 20% 10V
C032	CE04CW1A100M	CAP. ELECTRO 10 20% 10V
C033	C91-1204-05	CAP. CERAMIC 0.22 150V
C034	CF92V1H473J	CAP. POLYESTER 0.047 5% 50V
C035	CF92V1H104J	CAP. POLYESTER 0.1 5% 50V
C036	CM93BD2A101J	CAP. MICA 100P 5% 100V
C037	CF92V1H223J	CAP. POLYESTER 0.022 5% 50V
D005	LT9002D	LED
D006	1SS132	DIODE
D007	1S1544A	DIODE
D008	1S1544A	DIODE
D009	1SS132	DIODE
D035	LT9002D	LED
P003	E31-2513-15	LEAD WIRE WITH CONNECTOR
P004	E31-2512-15	LEAD WIRE WITH CONNECTOR
P204	E31-2520-15	LEAD WIRE WITH CONNECTOR
Q001	DTC144EF	TR. SI, NPN
Q002	DTC144EF	TR. SI, NPN
Q003	DTA124EF	TR. SI, PNP
Q004	2SK117 (GR)	FET. N-CHANNEL
R001	GL9D03D	DIODE
R001	RN14BK2C4703F	RES. METAL FILM 470K 1% 1/6W
R002	GL9D03D	DIODE
R002	RN14BK2C1103F	RES. METAL FILM 110K 1% 1/6W
R003	GL9D03D	DIODE
R003	RD14BB2C182J	RES. CARBON 1.8K 5% 1/6W
R004	GL9D03D	DIODE
R004	RN14BE2E1502F	RES. METAL FILM 15K 1% 1/4W
R005	RN14BE2E1002F	RES. METAL FILM 10K 1% 1/4W
R006	RD14BB2C161J	RES. CARBON 160 5% 1/6W
R009	RD14BB2C123J	RES. CARBON 12K 5% 1/6W
R010	RD14BB2C333J	RES. CARBON 33K 5% 1/6W
R011	RD14BB2C104J	RES. CARBON 100K 5% 1/6W
R012	RD14BB2C104J	RES. CARBON 100K 5% 1/6W
R013	RD14BB2C103J	RES. CARBON 10K 5% 1/6W
R014	R92-1061-05	JUMPING RES. ZERO OHM
R015	RD14BB2C301J	RES. CARBON 300 5% 1/6W
R016	RD14BB2C301J	RES. CARBON 300 5% 1/6W
R017	RD14BB2C103J	RES. CARBON 10K 5% 1/6W
R018	RD14BB2C104J	RES. CARBON 100K 5% 1/6W
R019	RN14BC2E1001F	RES. METAL FILM 1K 1% 1/4W
R020	NO USE	
R021	RN14BK2C2001F	RES. METAL FILM 2K 1% 1/6W
R022	RN14BK2C1501F	RES. METAL FILM 1.5K 1% 1/6W
R023	RN14BK2C1301F	RES. METAL FILM 1.3K 1% 1/6W
R024	RN14BK2C2201F	RES. METAL FILM 2.2K 1% 1/6W
R025	RN14BC2E1002F	RES. METAL FILM 10K 1% 1/4W
R026	RD14BB2C161J	RES. CARBON 160 5% 1/6W
R027	RD14BB2C364J	RES. CARBON 360K 5% 1/6W
R028	R92-1146-05	RES. METAL FILM 11K 1% 1/5W
R029	R92-1143-05	RES. METAL FILM 6.8K 1% 1/5W
R030	NO USE	
R031	RN14BK2C4703F	RES. METAL FILM 470K 1% 1/6W
R032	GL9D03D	DIODE
R032	RN14BK2C1103F	RES. METAL FILM 110K 1% 1/6W
R033	GL9D03D	DIODE
R033	RD14BB2C182J	RES. CARBON 1.8K 5% 1/6W
R034	GL9D03D	DIODE
R034	RN14BE2E1502F	RES. METAL FILM 15K 1% 1/4W
R035	RN14BE2E1002F	RES. METAL FILM 10K 1% 1/4W
R036	RD14BB2C161J	RES. CARBON 160 5% 1/6W
R037	RD14BB2C391J	RES. CARBON 390 5% 1/6W
R048	RD14BB2C104J	RES. CARBON 100K 5% 1/6W
R049	NO USE	
R050	RN14BC2E3241F	RES. METAL FILM 3.24K 1% 1/4W
R055	RN14BC2E1802F	RES. METAL FILM 18K 1% 1/4W

PARTS LIST

REF. NO	PARTS NO	NAME & DESCRIPTION
R056	RD14BB2C161J	RES. CARBON 160 5% 1/6W
U001	TSC7107CPL-A	OPERATIONAL AMPLIFIER
U002	LM336Z2.5	2.5V REFERENCE DIODE
U003	LM339N	QUAD COMPARATOR
U004	MC14011BCP	QUAD 2-INPUT NAND GATE
U031	TSC7107CPL-A	OPERATIONAL AMPLIFIER
U032	LM336Z2.5	2.5V REFERENCE DIODE
VR001	R12-3518-05	RES. SEMI FIXED 10K B
VR002	R12-0568-05	RES. SEMI FIXED 500
VR003	R12-0556-05	RES. SEMI FIXED 100 B
VR031	R12-3518-05	RES. SEMI FIXED 10K B
VR032	R12-0568-05	RES. SEMI FIXED 500

OVER VOLTAGE PROTECTION UNIT

X77-1400-03

REF. NO	PARTS NO	NAME & DESCRIPTION
	J19-1641-14	HOLDER FOR LED
	J25-5158-23	PCB (UNMOUNTED)
C001	CF92V1H103J	CAP. POLYESTER 0.01 5% 50V
C002	NO USE	
C003	CK45B1H102K	CAP. CERAMIC 1000P 10% 50V
C004	CF92V1H103J	CAP. POLYESTER 0.01 5% 50V
C007	CE04W1B470H	CAP. ELECTRO 47 20% 50V
D001	DSA1A2	DIODE
D002	DSA1A2	DIODE
D003	DSA1A2	DIODE
D004	DSA1A2	DIODE
D005	RD6.2EB3	DIODE
D006	1SS132	DIODE
D007	1SS132	DIODE
D008	1SS132	DIODE
D009	1SS132	DIODE
D010	CSM2B2A30	SCR
D011	DSA1A2	DIODE
D012	1SS132	DIODE
D013	LN222RP	LED
D014	DSA1A2	DIODE
D015	DSA1A2	DIODE
D016	1SS132	DIODE
D017	1SS132	DIODE
P005	E40-0273-05	PIN CONNECTOR 2 P
P006	E40-1373-05	PIN CONNECTOR 13 P
P007	E40-0273-05	PIN CONNECTOR 2 P
P008	E40-0373-05	PIN CONNECTOR 3 P
P009	E40-0273-05	PIN CONNECTOR 2 P
P010	E40-0273-05	PIN CONNECTOR 2 P
P011	E40-0273-05	PIN CONNECTOR 2 P
P012	E40-0273-05	PIN CONNECTOR 2 P
P302	E40-0273-05	PIN CONNECTOR 2 P
P303	NO USE	
P304	E40-0273-05	PIN CONNECTOR 2 P
P305	E40-0273-05	PIN CONNECTOR 2 P
Q001	2SC2481(O)	TR. SI, NPN
Q002	2SA1175(F)	TR. SI, PNP
Q003	2SC2785(F)	TR. SI, NPN
Q004	2SC2785(F)	TR. SI, NPN
Q005	2SA1175(F)	TR. SI, PNP
R001	RD14DB3A102J	RES. CARBON 1K 5% 1W
R002	CE04W1C101M	CAP. ELECTRO 100 20% 16V
R002	RD14DB3A102J	RES. CARBON 1K 5% 1W
R003	RN14BE2E3831D	RES. METAL FILM 3.83K 0.5% 1/4W
R004	RN14BE2H1962D	RES. METAL FILM 19.6K 0.5% 1/2W
R005	CE04W1C101M	CAP. ELECTRO 100 20% 16V
R005	RN14BC2E2200P	RES. METAL FILM 220 1% 1/4W
R006	CE04W1C101M	CAP. ELECTRO 100 20% 16V
R006	RN14BC2E1000P	RES. METAL FILM 100 1% 1/4W
R007	RN14BC2H7500P	RES. METAL FILM 750 1% 1/2W
R008	RD14BB2C102J	RES. CARBON 1K 5% 1/6W
R009	RD14BB2C392J	RES. CARBON 3.9K 5% 1/6W

REF. NO	PARTS NO	NAME & DESCRIPTION
R010	RD14BB2C471J	RES. CARBON 470 5% 1/6W
R011	RD14BB2C102J	RES. CARBON 1K 5% 1/6W
R012	RD14BB2C272J	RES. CARBON 2.7K 5% 1/6W
R013	RD14BB2C471J	RES. CARBON 470 5% 1/6W
R014	RD14BB2C102J	RES. CARBON 1K 5% 1/6W
R015	RD14BB2C102J	RES. CARBON 1K 5% 1/6W
R016	RD14BB2C223J	RES. CARBON 22K 5% 1/6W
R017	RD14BB2C103J	RES. CARBON 10K 5% 1/6W
R018	RD14BB2C221J	RES. CARBON 220 5% 1/6W
R019	RD14BB2C102J	RES. CARBON 1K 5% 1/6W
R020	RD14BB2C362J	RES. CARBON 3.6K 5% 1/6W
R021	RD14BB2C182J	RES. CARBON 1.8K 5% 1/6W
R022	RD14BB2C621J	RES. CARBON 620 5% 1/6W
R023	RD14BB2C101J	RES. CARBON 100 5% 1/6W
R024	RD14DB2H222J	RES. CARBON 2.2K 5% 1/2W
R025	RD14DB2H102J	RES. CARBON 1K 5% 1/2W
R026	RD14BB2C103J	RES. CARBON 10K 5% 1/6W
R027	RD14BB2C512J	RES. CARBON 5.1K 5% 1/6W
R028	RD14BB2C361J	RES. CARBON 360 5% 1/6W

R031	RN14BE2H1962D	RES. METAL FILM 19.6K 0.5% 1/2W
R032	RD14BB2C183J	RES. CARBON 18K 5% 1/6W
R033	RD14BB2C272J	RES. CARBON 2.7K 5% 1/6W
R034	RD14BB2E162J	RES. CARBON 1.6K 5% 1/4W

S001	S40-1519-05	PUSH SWITCH
S002	S40-1518-05	PUSH SWITCH
S003	S40-1518-05	PUSH SWITCH

U001	NJM311D	IC
U002	UPC4558C	OPERATIONAL AMPLIFIER

VR001	R12-1524-05	RES. SEMI FIXED 2.5K
-------	-------------	----------------------

RECTIFIER UNIT (PD56-10/10D)

X81-1590-01

REF. NO	PARTS NO	NAME & DESCRIPTION
	E33-4098-00	WIRE ASSY
	J25-5100-03	PCB (UNMOUNTED)
	212-1018-05	TUBE (PLASTIC)
C007	CF93AN2G104K	CAP. POLYESTER 0.1 10% 400V
C008	CF93AN2G104K	CAP. POLYESTER 0.1 10% 400V
C009	CF93AN2G104K	CAP. POLYESTER 0.1 10% 400V

D003	CTH-34R	DIODE
D004	NO USE	
D005	CTH-34R	DIODE
D006	CTH-34R	DIODE

D016	DSA1A4	DIODE
------	--------	-------

J001	E23-0555-05	G. TERMINAL
J002	E23-0555-05	G. TERMINAL
J003	E23-0555-05	G. TERMINAL
J004	E23-0555-05	G. TERMINAL
J005	E23-0555-05	G. TERMINAL
J006	E23-0555-05	G. TERMINAL
J007	E23-0555-05	G. TERMINAL
J008	E23-0555-05	G. TERMINAL
J009	E23-0556-05	G. TERMINAL

P021	E40-0373-05	PIN CONNECTOR 3 P
P022	E40-0273-05	PIN CONNECTOR 2 P
P023	E40-0573-05	PIN CONNECTOR 5 P

Q001	2SC3281(R)	TR. SI, NPN
Q002	2SC3281(R)	TR. SI, NPN
Q003	2SC3281(R)	TR. SI, NPN
Q004	2SC3281(R)	TR. SI, NPN
Q005	2SC3281(R)	TR. SI, NPN

R001	R92-1167-05	RES. FIXED
R002	R92-1167-05	RES. FIXED
R003	R92-1167-05	RES. FIXED
R004	R92-1167-05	RES. FIXED
R005	R92-1167-05	RES. FIXED
R006	NO USE	
R007	RD14DB2H101J	RES. CARBON 100 5% 1/2W

R011	RD14DB3A330J	RES. CARBON 33 5% 1W
R012	RD14DB3A330J	RES. CARBON 33 5% 1W
R013	RD14DB3A330J	RES. CARBON 33 5% 1W

PARTS LIST

RECTIFIER UNIT (PD56-6/6D)

X81-1590-02

REF.NO	PARTS NO	NAME & DESCRIPTION			
	E33-4098-00	WIRE ASSY			
	J25-5100-03	PCB (UNMOUNTED)			
	212-1018-05	TUBE (PLASTIC)			
C007	CF93AN2G104K	CAP. POLYESTER 0.1	10%	400V	
C008	CF93AN2G104K	CAP. POLYESTER 0.1	10%	400V	
C009	CF93AN2G104K	CAP. POLYESTER 0.1	10%	400V	
D003	CTM-34R	DIODE			
D004	NO USE				
D005	CTM-34R	DIODE			
D006	CTM-34R	DIODE			
D016	DSA1A4	DIODE			
J001	E23-0555-05	G. TERMINAL			
J002	E23-0555-05	G. TERMINAL			
J003	E23-0555-05	G. TERMINAL			
J004	E23-0555-05	G. TERMINAL			
J005	E23-0555-05	G. TERMINAL			
J006	E23-0555-05	G. TERMINAL			
J007	E23-0555-05	G. TERMINAL			
J008	E23-0555-05	G. TERMINAL			
J009	E23-0556-05	G. TERMINAL			
P021	E40-0373-05	PIN CONNECTOR	3 P		
P022	E40-0273-05	PIN CONNECTOR	2 P		
P023	E40-0573-05	PIN CONNECTOR	5 P		
Q001	2SC3281(R)	TR. SI, NPN			
Q002	NO USE				
Q003	2SC3281(R)	TR. SI, NPN			
Q004	NO USE				
Q005	2SC3281(R)	TR. SI, NPN			
R001	R92-1167-05	RES. FIXED			
R002	NO USE				
R003	R92-1167-05	RES. FIXED			
R004	NO USE				
R005	R92-1167-05	RES. FIXED			
R006	NO USE				
R007	RD14DB2H101J	RES. CARBON	100	5%	1/2W
R011	RD14DB3A330J	RES. CARBON	33	5%	1W
R012	RD14DB3A330J	RES. CARBON	33	5%	1W
R013	RD14DB3A330J	RES. CARBON	33	5%	1W

CURRENT DIFECTER UNIT (PD56-6)

X81-1850-00

REF.NO	PARTS NO	NAME & DESCRIPTION			
	J25-5135-14	PCB (UNMOUNTED)			
	212-1018-05	TUBE (PLASTIC)			
J011	E23-0555-05	G. TERMINAL			
J012	E23-0555-05	G. TERMINAL			
J013	E23-0555-05	G. TERMINAL			
P207	E40-0273-05	PIN CONNECTOR	2 P		
P208	E40-0373-05	PIN CONNECTOR	3 P		
R010	R92-1168-05	RES. FIXED			

CURRENT DIFECTER UNIT (PD6-6D)

X81-1850-01

REF.NO	PARTS NO	NAME & DESCRIPTION			
	J25-5135-14	PCB (UNMOUNTED)			
	212-1018-05	TUBE (PLASTIC)			
J011	E23-0555-05	G. TERMINAL			
J012	E23-0555-05	G. TERMINAL			
J013	E23-0555-05	G. TERMINAL			
P205	E40-0273-05	PIN CONNECTOR	2 P		
P206	NO USE				
P207	E40-0273-05	PIN CONNECTOR	2 P		
P208	E40-0373-05	PIN CONNECTOR	3 P		
R010	R92-1168-05	RES. FIXED			

CONSTANT I UNIT (PD56-10/10D)

X81-1980-07

REF.NO	PARTS NO	NAME & DESCRIPTION			
	E33-4110-00	WIRE ASSY			
	J25-5157-03	PCB (UNMOUNTED)			
	212-1018-05	TUBE (PLASTIC)			
C014	CF92V1H473J	CAP. POLYESTER 0.047	5%	50V	
D015	RD24F(B2)	DIODE			
D016	RD24F(B2)	DIODE			
D033	CRDE-501	DIODE			
P013	E40-0673-05	PIN CONNECTOR	6 P		
P307	E40-0773-05	PIN CONNECTOR	7 P		
P308	E40-0873-05	PIN CONNECTOR	8 P		
P309	E40-0473-05	PIN CONNECTOR	4 P		
P310	E40-0473-05	PIN CONNECTOR	4 P		
P311	E40-0273-05	PIN CONNECTOR	2 P		
P312	E40-0373-05	PIN CONNECTOR	3 P		
Q007	2SC3182(R)	TR. SI, NPN			
Q008	2SA1265(R)	TR. SI, PNP			
Q009	2SC3066(F,G)	TR. SI, NPN			
R008	RD14BB2E821J	RES. CARBON	820	5%	1/4W
R009	RD14DB2H101J	RES. CARBON	100	5%	1/2W
R015	RD14DB3F302J	RES. CARBON	3K	5%	3W
R016	RD14DB3F302J	RES. CARBON	3K	5%	3W
R017	NO USE				
R018	RD14BB2C102J	RES. CARBON	1K	5%	1/6W
R019	RD14DB2H6R8J				
R022	RD14BB2C102J	RES. CARBON	1K	5%	1/6W

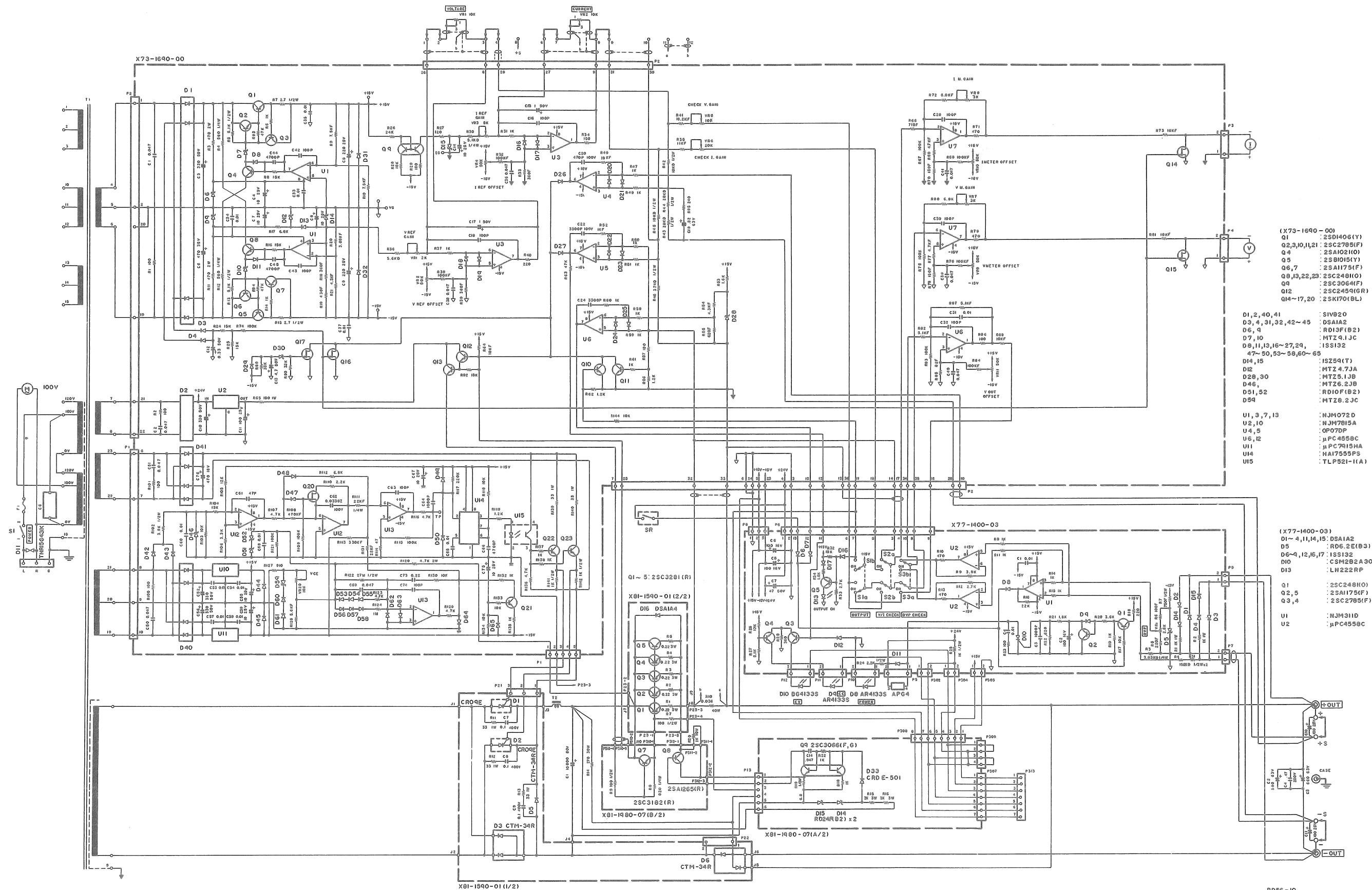
PARTS LIST

CONSTANT I UNIT (PD56-6/6D)

X81-1980-08

REF. NO	PARTS NO	NAME & DESCRIPTION			
	E33-4110-00	WIRE ASSY			
	J25-5157-03	PCB (UNMOUNTED)			
	212-1018-05	TUBE (PLASTIC)			
C014	CF92V1H473J	CAP. POLYESTER	0.047	5%	50V
D015	RD24F(B2)	DIODE			
D016	RD24F(B2)	DIODE			
D033	CRDE-501	DIODE			
P013	E40-0673-05	PIN CONNECTOR	6	P	
P307	E40-0773-05	PIN CONNECTOR	7	P	
P308	E40-0873-05	PIN CONNECTOR	8	P	
P309	E40-0473-05	PIN CONNECTOR	4	P	
P310	E40-0473-05	PIN CONNECTOR	4	P	
P311	E40-0273-05	PIN CONNECTOR	2	P	
P312	E40-0373-05	PIN CONNECTOR	3	P	
Q007	2SC3182(R)	TR. SI, NPN			
Q008	2SA1265(R)	TR. SI, PNP			
Q009	2SC3066(P,G)	TR. SI, NPN			
R008	RD14BB2E821J	RES. CARBON	820	5%	1/4W
R009	RD14DB2H101J	RES. CARBON	100	5%	1/2W
R015	RD14DB3F302J	RES. CARBON	3K	5%	3W
R016	RD14DB3F302J	RES. CARBON	3K	5%	3W
R017	NO USE				
R018	RD14BB2C102J	RES. CARBON	1K	5%	1/6W
R019	RD14DB2H6R8J				
R022	RD14BB2C102J	RES. CARBON	1K	5%	1/6W

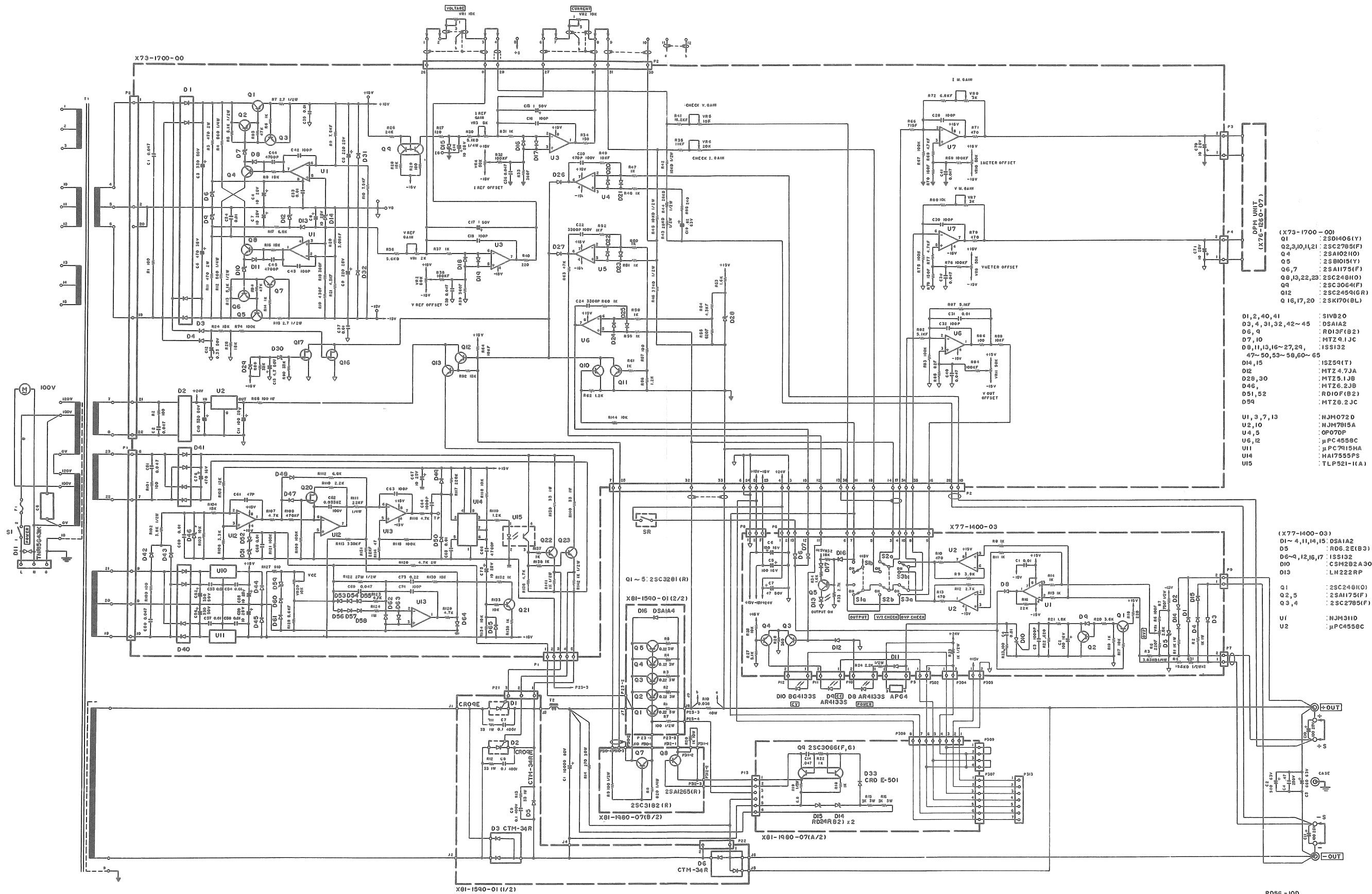
SCHEMATIC DIAGRAM (PD56-10)



- (X73-1690-00)
- Q1 : 2SD406(Y)
 - Q2,3,10,11,21 : 2SC2785(F)
 - Q4 : 2SA102(HO)
 - Q5 : 2SB1015(Y)
 - Q6,7 : 2SA1175(F)
 - Q8,13,22,23 : 2SC248(HO)
 - Q9 : 2SC306(HF)
 - Q12 : 2SC245(RGR)
 - Q14~17,20 : 2SK170(BL)
- D1,2,40,41 : SIVB20
 D3,4,31,32,42~45 : DSAIA2
 D6,9 : RD13F(B2)
 D7,10 : MTZ 4.1JC
 D8,11,13,16~27,29 : ISS132
 47~50,53~58,60~65 : IS254(T)
 D14,15 : MTZ 4.7JA
 D28,30 : MTZ 5.1JB
 D46 : MTZ 6.2JB
 D51,52 : RD10F(B2)
 D54 : MTZ 6.2JC
- U1,3,7,13 : NJM072D
 U2,10 : NJM7815A
 U4,5 : OP07DP
 U6,12 : μPC4558C
 U11 : μPC7915HA
 U14 : HA1755FS
 U15 : TLP521-1(A)

- (X77-1400-03)
- D1~4,11,15 : DSAIA2
 - D5 : RD6.2E(B3)
 - D6~9,12,16,17 : ISS132
 - D10 : CSM2B2A30
 - D13 : LN22RP
- Q1 : 2SC248(HO)
 Q2,5 : 2SA1175(F)
 Q3,4 : 2SC2785(F)
- U1 : NJM311D
 U2 : μPC4558C

SCHEMATIC DIAGRAM (PD56-10D)



- (X73-1700-00)
 DPM UNIT
 (X76-1280-07)
- Q1 : 2SD1406(Y)
 - Q2,3,10,11,21 : 2SC2785(F)
 - Q4 : 2SA1021(O)
 - Q5 : 2SB1015(Y)
 - Q6,7 : 2SA1175(F)
 - Q8,13,22,23 : 2SC2481(O)
 - Q9 : 2SC3064(F)
 - Q12 : 2SC2459(R)
 - Q16,17,20 : 2SK1701(BL)

- D1,2,40,41 : 1SB20
 - D3,4,31,32,42-45 : DSA1A2
 - D6,9 : RD13F(B2)
 - D7,10 : MTZ 4.1JC
 - D8,11,15,16-27,29, : ISS132
 - 47-50,53-58,60-65 : IS259(T)
 - D14,15 : IS259(T)
 - D12 : MTZ 4.7JA
 - D28,30 : MTZ 5.1JB
 - D46 : MTZ 6.2JB
 - D51,52 : RD10F(B2)
 - D54 : MTZ 6.2JC
- U1,3,7,13 : NJM72D
 - U2,10 : NJM7815A
 - U4,5 : OP07DP
 - U6,12 : μPC4558C
 - U11 : μPC7915SHA
 - U14 : HA1755PS
 - U15 : TLP521-(1A)

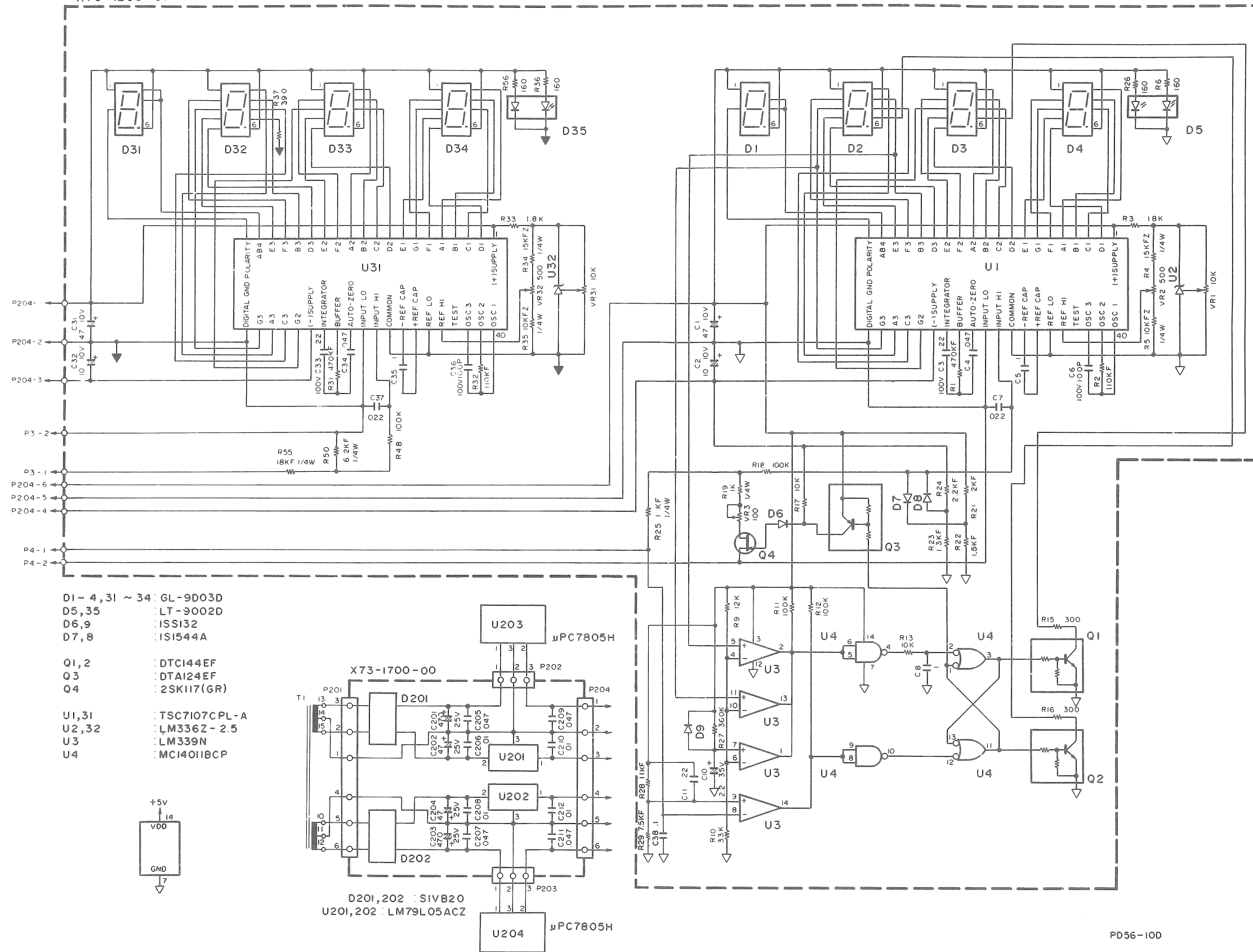
- (X77-1400-03)
- D1-4,11,14,15 : DSA1A2
 - D5 : RD6.2E(B3)
 - D6-9,12,16,17 : ISS132
 - D10 : CSM282A30
 - D13 : LN222RP

- Q1 : 2SC2481(O)
 - Q2,5 : 2SA1175(F)
 - Q3,4 : 2SC2785(F)
- U1 : NJM310D
 - U2 : μPC4558C

SCHEMATIC DIAGRAM (PD56-10D)

DPM UNIT PD56-10D

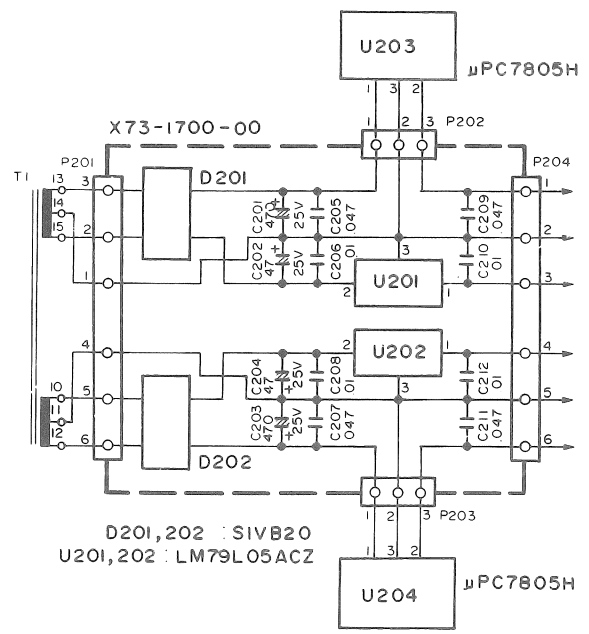
X76-1260-07



- D1 ~ 4, 31 ~ 34 : GL-9D03D
- D5, 35 : LT-9002D
- D6, 9 : ISSI32
- D7, 8 : ISI544A

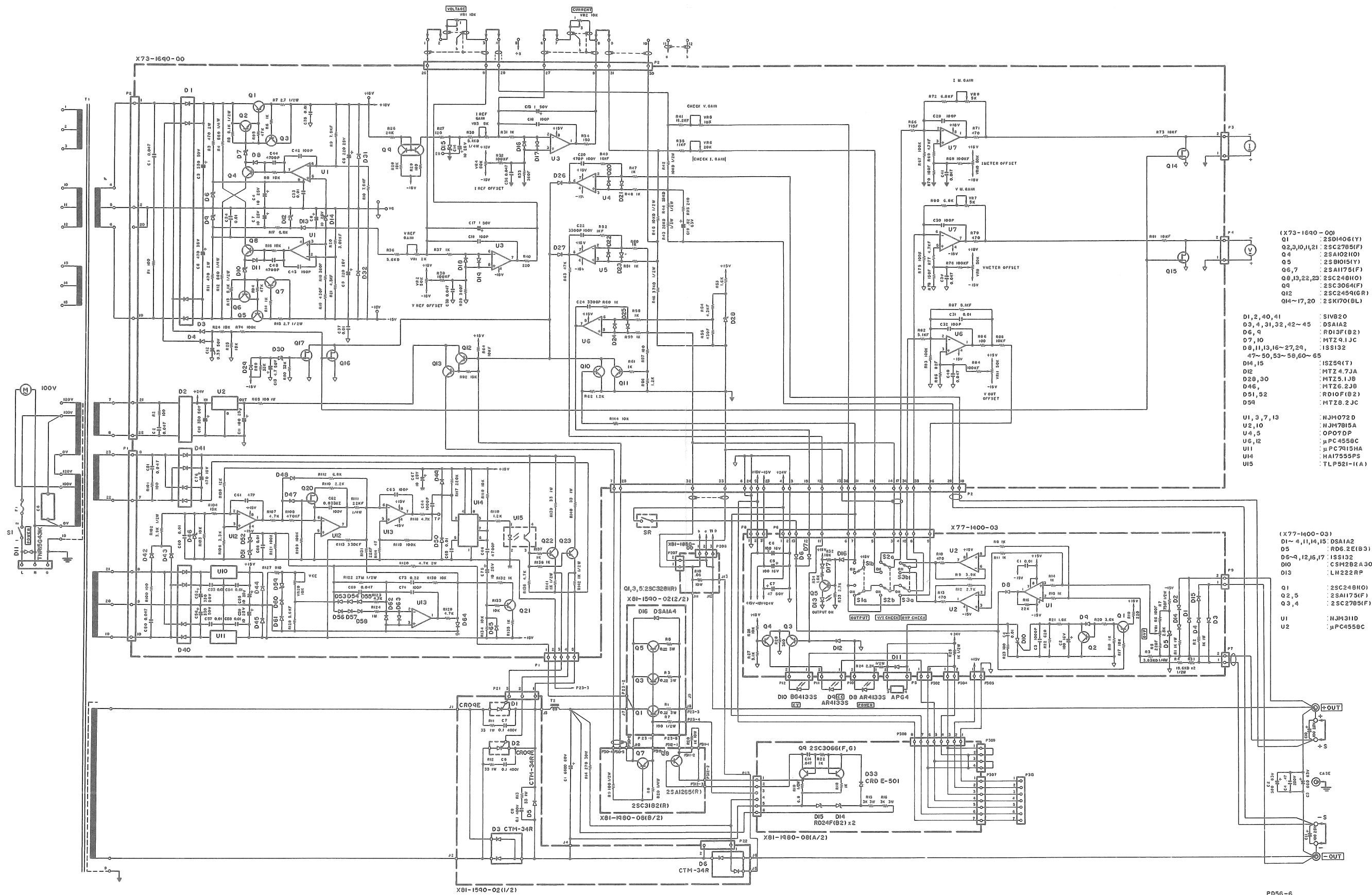
- Q1, 2 : DTC144EF
- Q3 : DTAI24EF
- Q4 : 2SK117(GR)

- U1, 31 : TSC7107CPL-A
- U2, 32 : LM336Z-2.5
- U3 : LM339N
- U4 : MCI4011BCP



PD56-10D

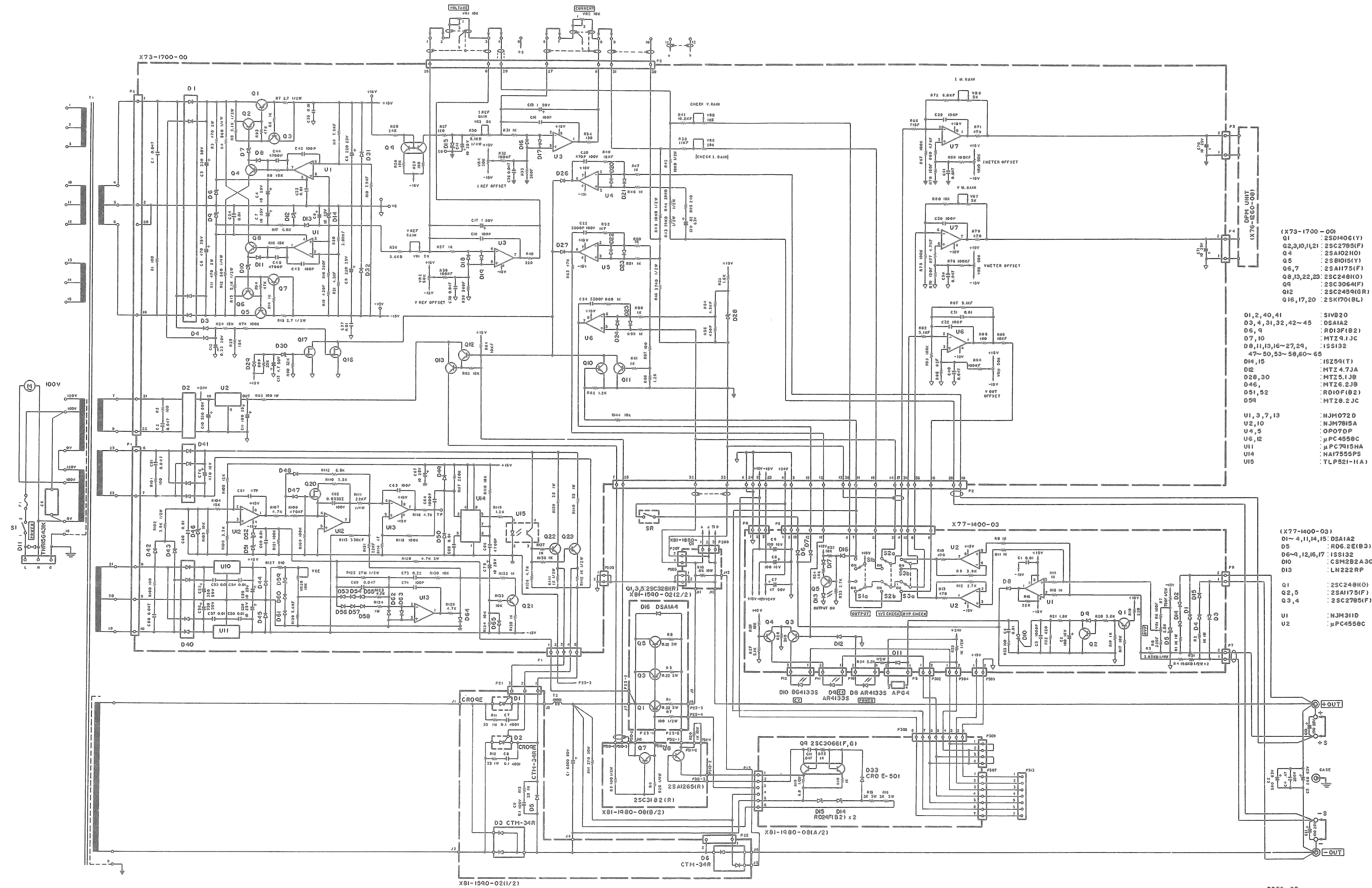
SCHEMATIC DIAGRAM (PD56-6)



- (X73-1640-00)
- Q1 : 2SD1406(Y)
 - Q2,3,10,11,21 : 2SC2785(F)
 - Q4 : 2SA102(H)
 - Q5 : 2SB105(Y)
 - Q6,7 : 2SA1175(F)
 - Q8,13,22,23 : 2SC248(H)
 - Q9 : 2SC3066(F)
 - Q12 : 2SC2459(G)
 - Q14~17,20 : 2SK170(BL)
- D1, 2, 40, 41 : 51V820
- D3, 4, 31, 32, 42~45 : DSA1A2
- D6, 9 : RD13F(B2)
- D7, 10 : MTZ 4.1 J C
- D8, 11, 13, 16~27, 29, 47~50, 53~58, 60~65 : ISS132
- D14, 15 : ISZ59(T)
- D12 : MTZ 4.7 J A
- D28, 30 : MTZ 5.1 J B
- D46 : MTZ 6.2 J B
- D51, 52 : RD10F(B2)
- D59 : MTZ 6.2 J C
- U1, 3, 7, 13 : NJM072 D
- U2, 10 : NJM7815 A
- U4, 5 : OPO7OP
- U6, 12 : μPC4558 C
- U11 : μPC7A15H A
- U14 : HA1755PS
- U15 : TLP521-1(A)

- (X77-1400-03)
- D1~4, 11, 14, 15 : DSA1A2
 - D5 : RD6.2E(B3)
 - D6~9, 12, 16, 17 : ISS132
 - D10 : CSM292 A 30
 - D13 : LN222RP
- Q1 : 2SC248(H)
- Q2, 5 : 2SA1175(F)
- Q3, 4 : 2SC2785(F)
- U1 : NJM311D
- U2 : μPC4558 C

SCHEMATIC DIAGRAM (PD56-6D)



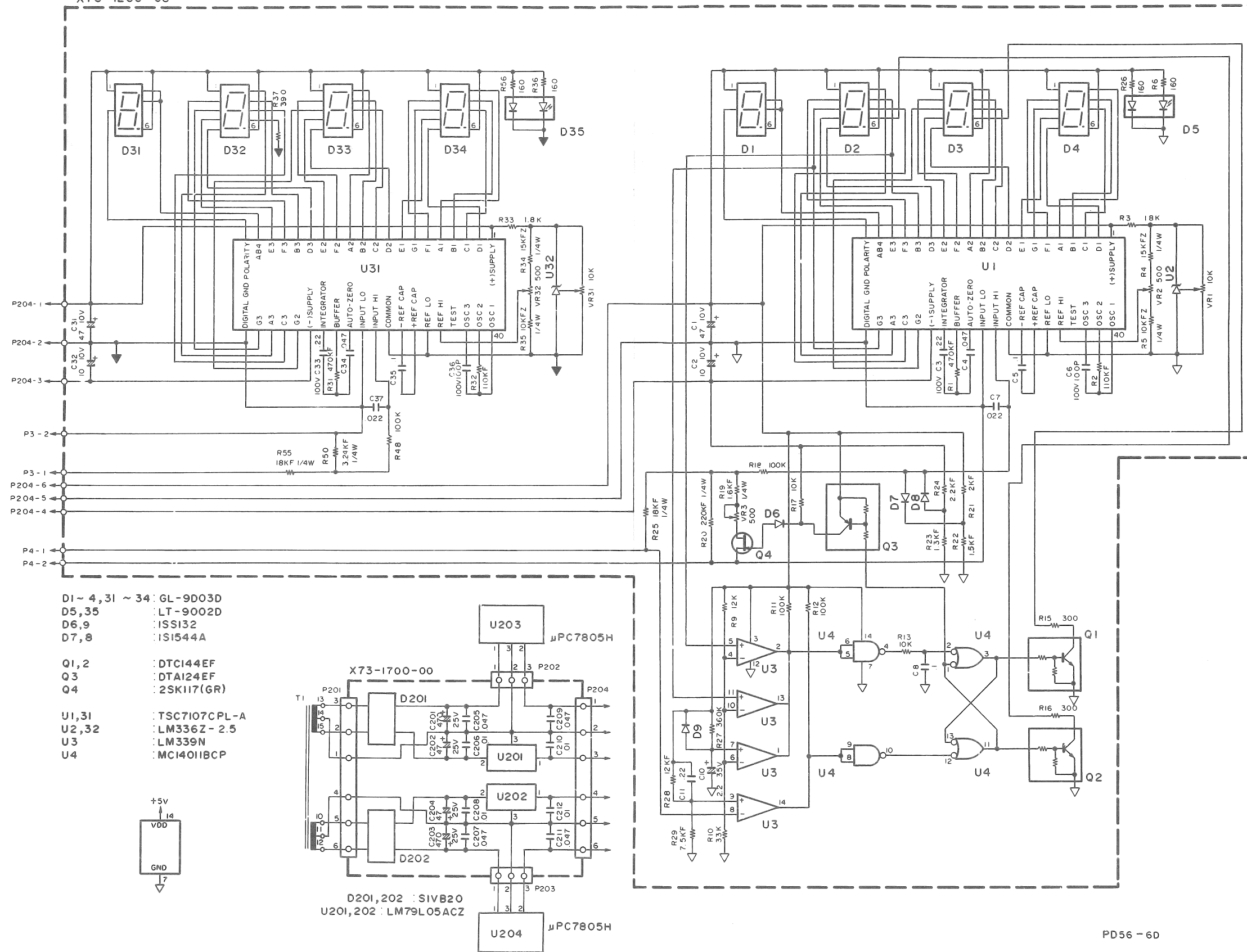
- (X73-1700-00)
- Q1 : 2SD405(Y)
 - Q2,3,10,11,21 : 2SC2785(F)
 - Q4 : 2SA1021(H)
 - Q5 : 2SB1015(Y)
 - Q6,7 : 2SA1175(F)
 - Q8,13,22,23 : 2SC248(H)
 - Q9 : 2SC3064(F)
 - Q12 : 2SC2459(IGR)
 - Q16,17,20 : 2SK1701(BL)
- D1,2,40,41 : SIV20
 D3,4,31,32,42~45 : DSA1A2
 D6,9 : RD13F(B2)
 D7,10 : MTZ4.1JC
 D8,11,13,16~27,29 : ISS132
 47~50,53~58,60~65 : ISZ59(T)
 D14,15 : ISZ59(T)
 D12 : MTZ4.7JA
 D28,30 : MTZ5.1JB
 D46 : MTZ6.2JB
 D51,52 : RD10F(B2)
 D54 : MTZ8.2JC
- U1,3,7,13 : NJM072D
 U2,10 : NJM7815A
 U4,5 : OP07DP
 U6,12 : μPC4558C
 U11 : μPC7915HA
 U14 : HA1755PS
 U15 : TLP521-1CA

- (X77-1400-03)
- D1~4,11,14,15 : DSA1A2
 - D5 : R05.2E(B3)
 - D6~9,12,16,17 : ISS132
 - D10 : CSM2B2A30
 - D13 : LN222RP
- Q1 : 2SC248(H)
 Q2,5 : 2SA1175(F)
 Q3,4 : 2SC2785(F)
- U1 : NJM311D
 U2 : μPC4558C

SCHEMATIC DIAGRAM (PD56-6D)

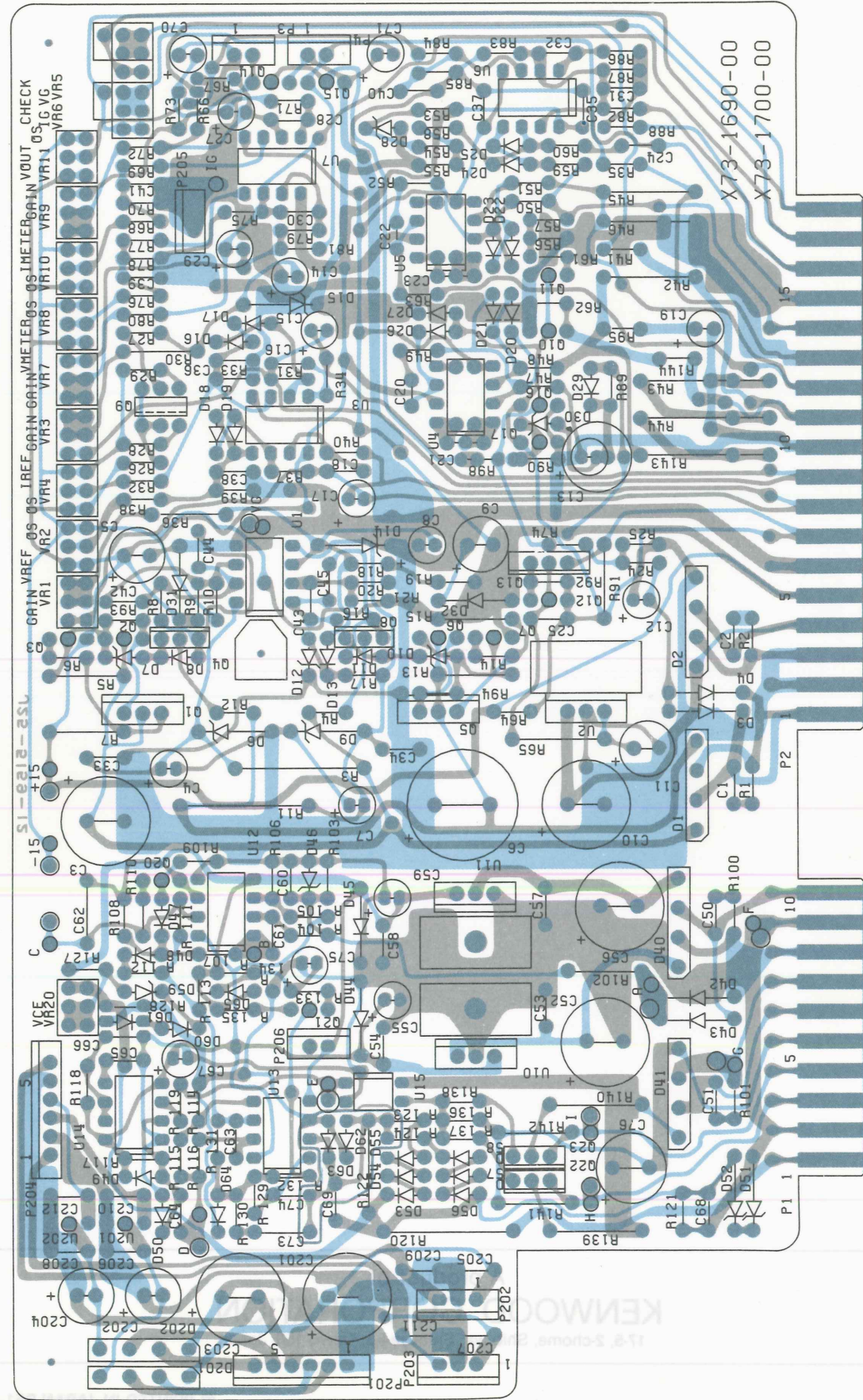
DPM UNIT PD56-6D

X76-1260-08



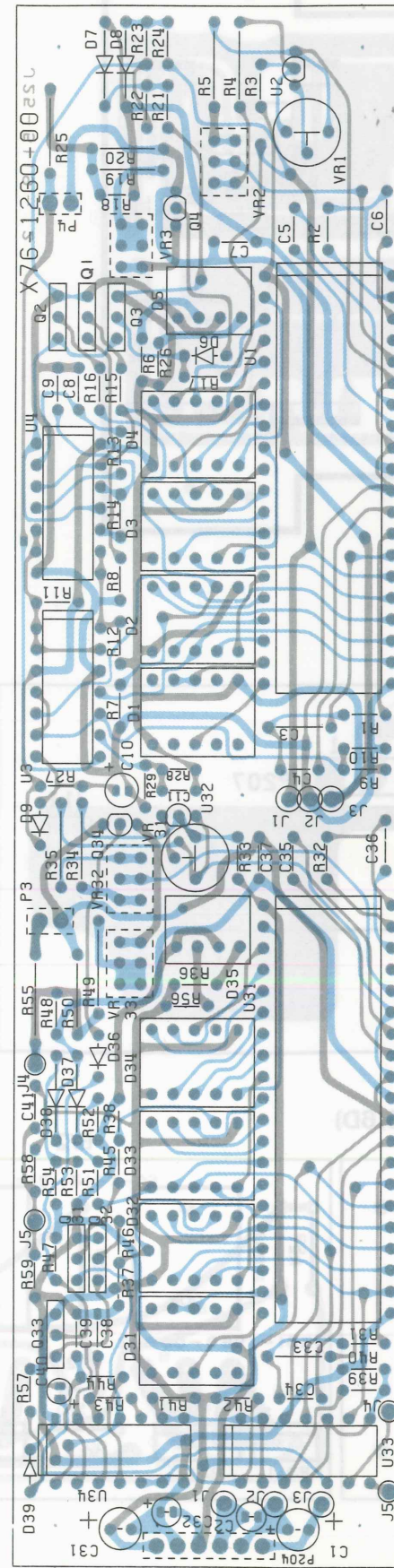
PD56-6D

AMPLIFIER UNIT
 (X73-1690-00/PD56-6/10) (X73-1700-00/PD56-6D/10D)

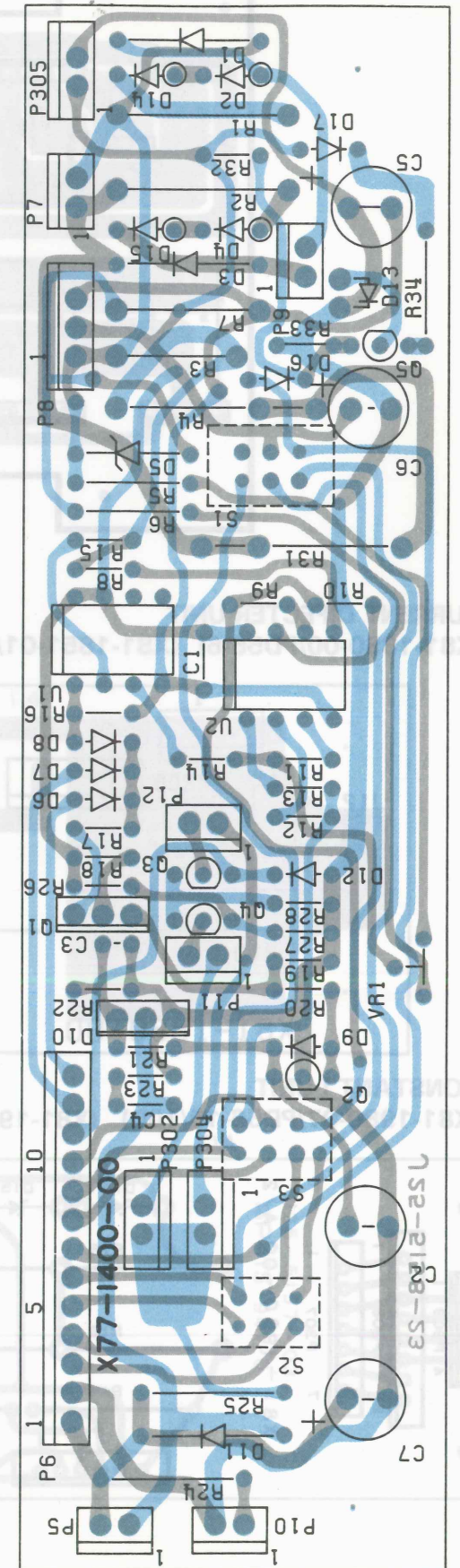


P. C. BOARD

DIGITAL PANEL METER UNIT
 (X76-1260-07/PD56-10D)
 (X76-1260-08/PD56-6D)



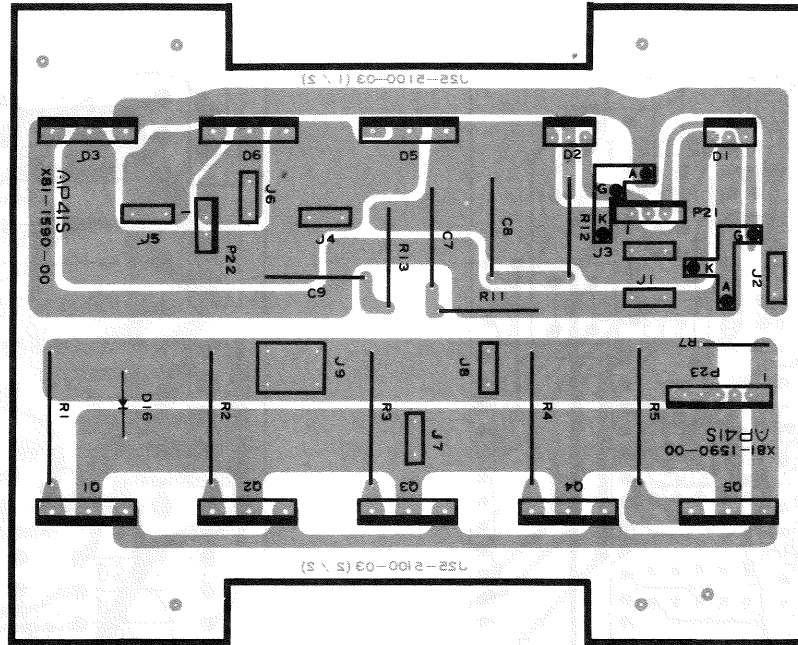
OVER VOLTAGE PROTECTION UNIT
 (X77-1400-03)



P. C. BOARD

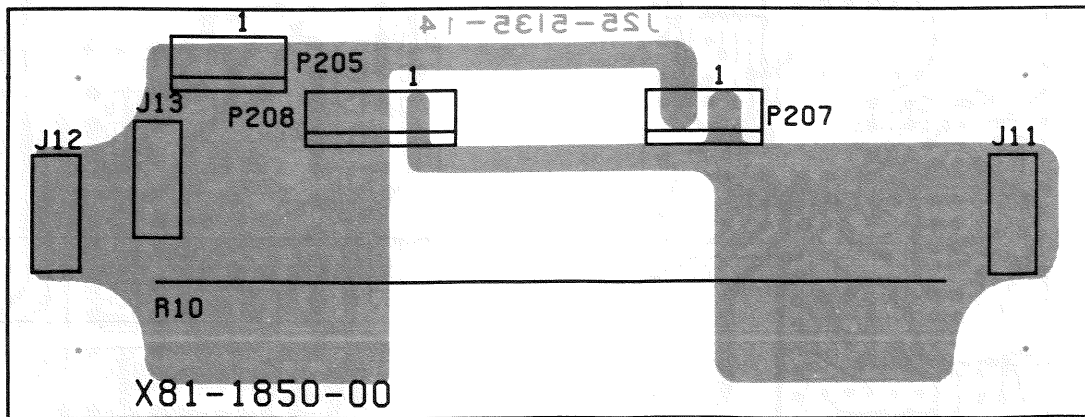
RECTIFIER UNIT

(X81-1590-01/PD56-10/10D) (X81-1590-02/PD56-6/6D)



CURRENT DEFLECTOR UNIT

(X81-1850-00/PD56-6) (X81-1851-01/PD56-6D)

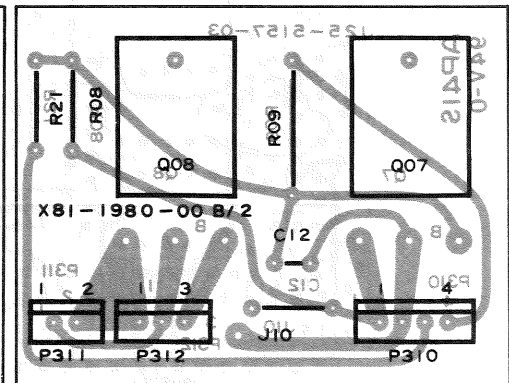
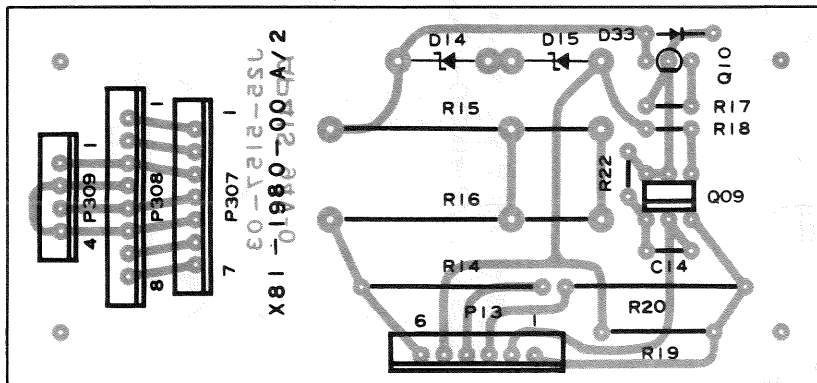


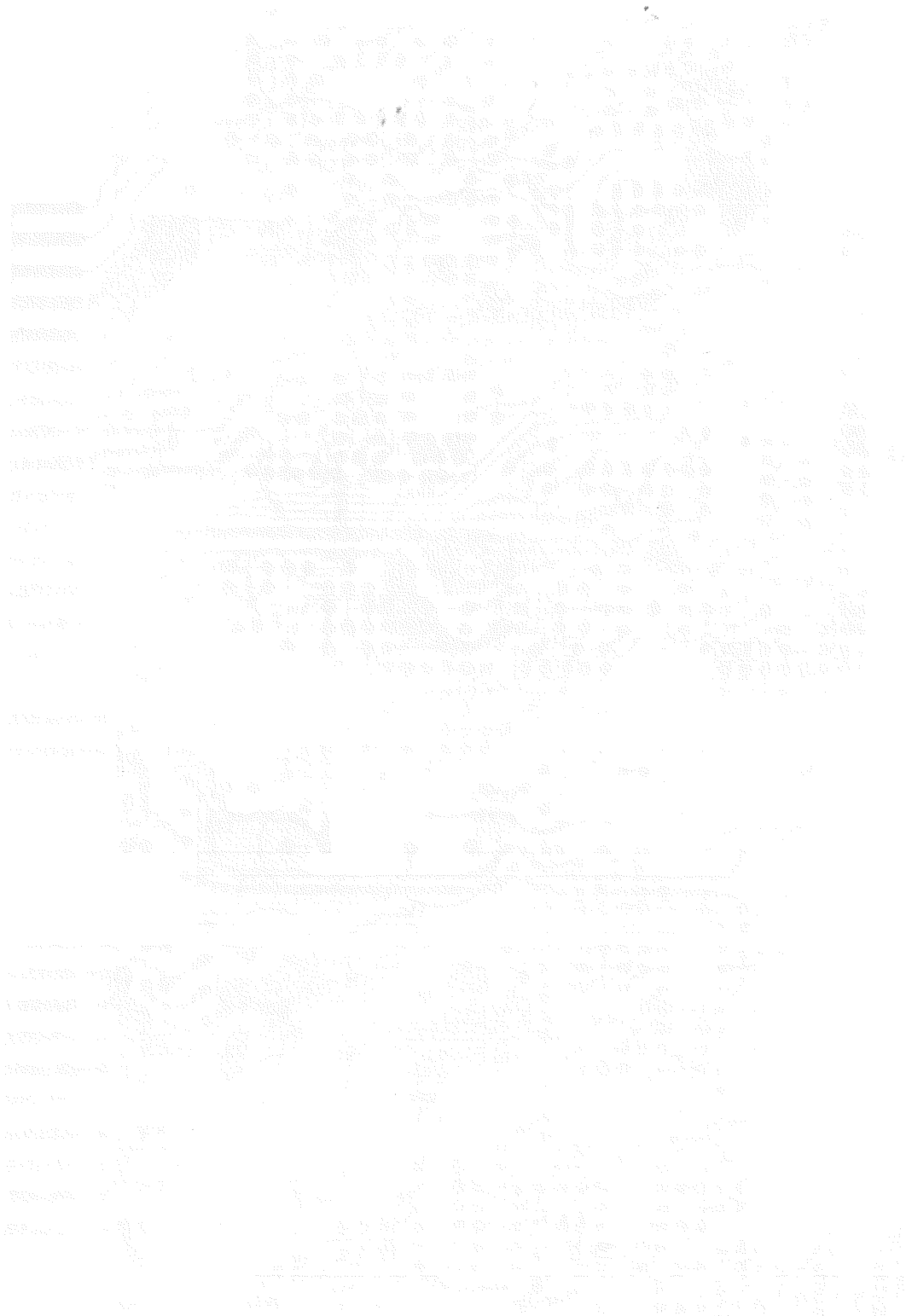
CONSTANT I UNIT

(X81-1980-07/PD56-10/10D) (X81-1980-08/PD56-6/6D)

A/2

B/2





A product of
KENWOOD CORPORATION
17-5, 2-chome, Shibuya, Shibuya-ku, Tokyo 150, Japan
