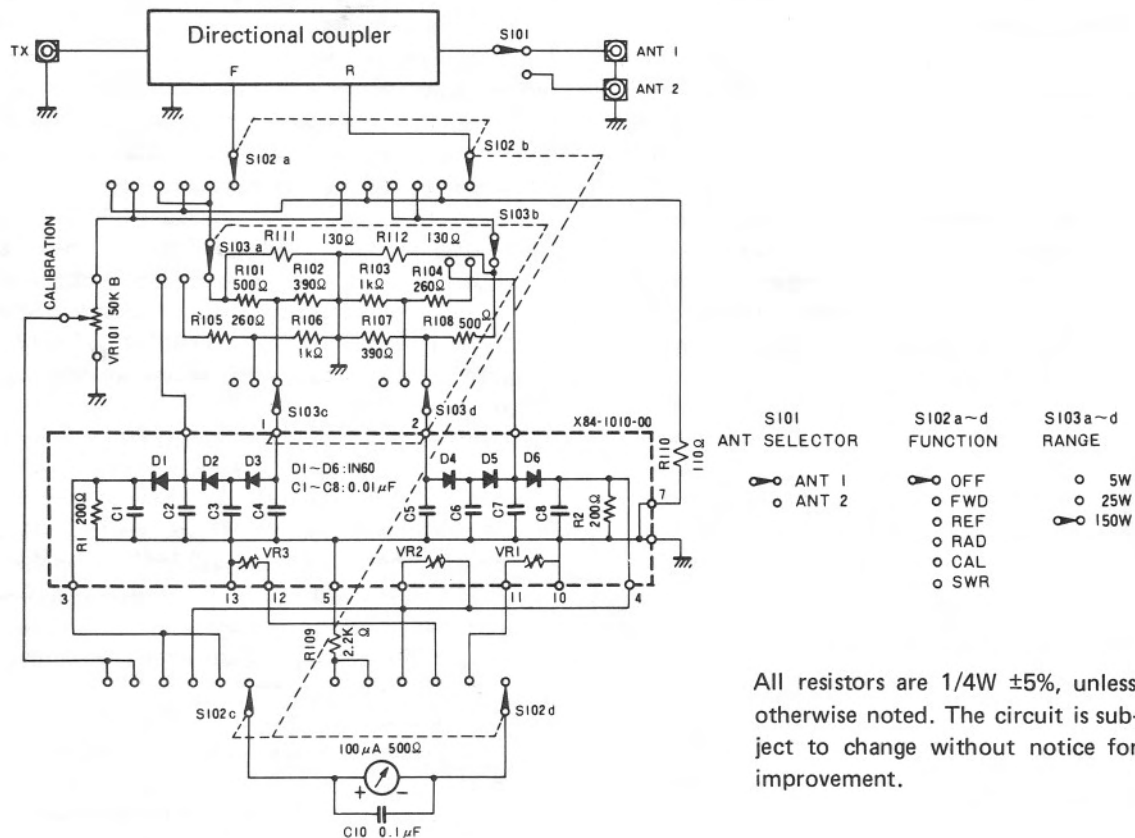


SCHEMATIC DIAGRAM



All resistors are 1/4W ±5%, unless otherwise noted. The circuit is subject to change without notice for improvement.