

PS-20 SPECIFICATIONS

[POWER SUPPLY SECTION]

Input voltage	AC 120/220/240V $\pm 10\%$, 50/60 Hz
Output voltage	DC 13.8V (standard voltage)
Output current	4.5A (intermittent load 50% duty cycle)
Continuous load current	4A max.
Output voltage fluctuation	Within ± 50 mV at AC 120/220/240V $\pm 10\%$ (at load current 4A) Within 0.1V at 0~4A of load current (at AC 120/220/240V)
Ripple voltage	Less than 5 mV at 13.8V, 4A (at AC 120/220/240V)
Power consumption	Approx. 100W (at AC 120/220/240V, DC 13.8V, 4A)

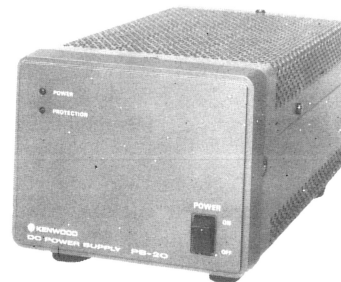
[GENERAL]

Dimensions	123 (4-27/32") W \times 96 (3-25/32") H \times 235 (9-17/64") D mm (inch)
Weight	Approx. 3.8 kg (8.4 lbs)

[ACCESSORIES]

Operating manual	1
DC Power cord	1
Fuse (1A)	1
Crimp style terminal	2

NOTE: The circuit and ratings may change without notice due to development in technology.



PS-20

KENWOOD

SPECIFICATIONS

[Power Supply Section]

Input Voltage:	AC120/220V \pm 10%, 50/60 Hz
Output Voltage:	DC 13.8V (standard voltage)
Output Current:	4.5A (intermittent load 50% duty cycle)
Continuous Load Current:	4A max.
Output Voltage Fluctuation:	Within \pm 50 mV at AC120/220V \pm 10% (at load current 4A) Within 0.1V at 0~4A of load current (at AC120/220V)
Ripple Voltage:	Less than 5 mV at 13.8V, 4A (at AC120/220V)
Power Consumption:	Approx. 100W (at AC120/220V, DC 13.8V, 4A)

[General]

Dimensions:	123(124) W \times 96(106) H \times 235(250) D mm Figures in (): Projections included.
Weight:	Approx. 3.8 kg

[Accessories]

Operating Manual:	1
DC Power Cord:	1
Fuse (1A):	1
Fuse (2A):	1
Crimp Style Terminal:	2

NOTE:

The circuit and ratings may change without notice due to development in technology.

ADJUSTMENTS

- Output voltage : Adjust to DC 13.8V by VR1.
- Over current protect : Short output terminals then adjust to DC 0.05V at point of R14 or R15 by VR2.

GENERAL

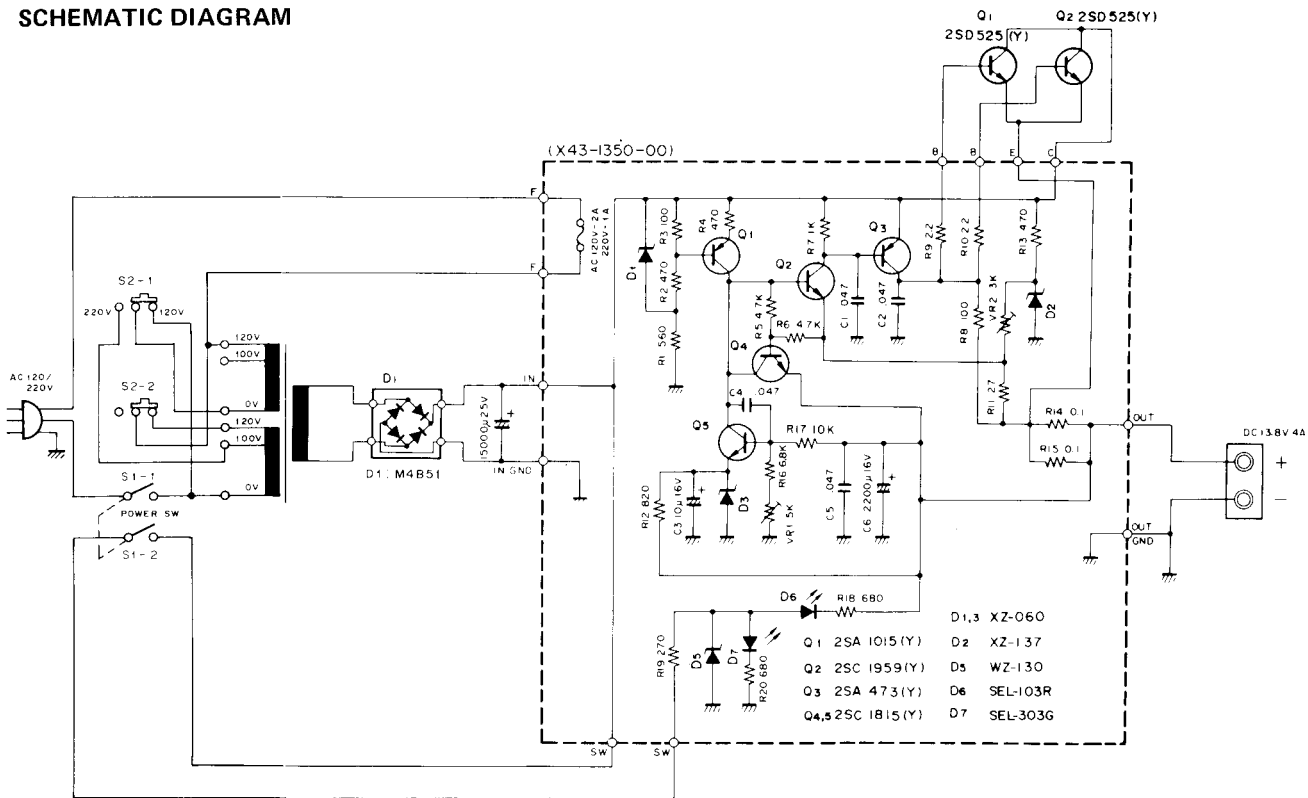
Ref. No.	Parts No.	Description	Re- marks
—	C90-0808-05	Electrolytic 15000 μ F 25WV	☆
Q1,2	V04-0525-06	Transistor 2SD525	☆
D1	V11-2163-76	Rectifier stack M4B51	☆
S1	S36-2402-05	See saw switch (power)	☆
—	L01-8056-05	Power transformer	☆
—	A01-0732-03	Case (A)	☆
—	A01-0733-02	Case (B)	☆
—	A20-2336-03	Panel (K)	☆
—	B39-0407-04	Spacer (assistance leg)	☆
—	B50-2616-10	Operating manual (K)	☆
—	E07-0252-05	2P Metal plug	☆
—	E20-0282-05	2P Terminal plate	☆
—	E23-0412-05	Crimp, style terminal \times 2	☆
—	E30-0545-05	AC cord with plug	☆
—	E30-1620-05	DC power supply cord	☆
—	F05-2023-05	Fuse (2A) \times 1	☆
—	F05-1023-05	Fuse (1A) \times 1	☆
—	F29-0014-05	Insulating washer \times 2	☆
—	H01-2592-04	Carton case (K)	☆
—	H10-2513-02	Styren foam cushion (F)	☆
—	H10-2514-02	Styren foam cushion (R)	☆
—	H12-0445-04	Cushion	☆
—	H20-1407-03	Protection cover	☆
—	J02-0323-05	Leg \times 4	☆
—	J02-0409-04	Assistance leg	☆
—	J21-2537-04	Leg pushing metal \times 2	☆
—	J32-0133-04	Hex. boss \times 4	☆
—	J41-0024-05	Cord bush	☆
—	X43-1350-00	AVR unit	☆

AVR UNIT (X43-1350-00)

Ref. No.	Parts No.	Description	Re- marks
CAPACITOR			
C1,2	C90-0262-05	Ceramic 0.047 μ F 25WV	
C3	CE04W1C100	Electrolytic 10 μ F 16WV	
C4,5	C90-0262-05	Ceramic 0.047 μ F 25WV	
C6	C90-0810-25	Electrolytic 2200 μ F 16WV	
RESISTOR			
R1~20	RD14BB2E000J	Carbon resistor 000 Ω \pm 5% 1/4W	
R14,15	R92-0618-05	Metal film 0.1 Ω	☆
SEMICONDUCTOR			
Q1	V01-1015-06	Transistor 2SA1015 (Y)	
Q2	V03-1959-06	Transistor 2SC1959 (Y)	
Q3	V01-0473-06	Transistor 2SA473 (Y)	
Q4,5	V03-1815-06	Transistor 2SC1815 (Y)	
D1	V11-4162-66	Zener diode XZ-060	
D2	V11-4161-76	Zener diode XZ-137	
D3	V11-4162-76	Zener diode XZ-060	
D5	V11-0297-05	Zener diode WZ-130	
D6	V11-5160-66	LED SEL103R	
D7	V11-5160-76	LED SEL303G	
MISCELLANEOUS			
VR1	R12-2015-05	Potentiometer 5k Ω	
VR2	R12-1016-05	Potentiometer 3k Ω	
—	E23-0047-04	Terminal (square) \times 10	
—	J32-0503-05	Beads \times 4	

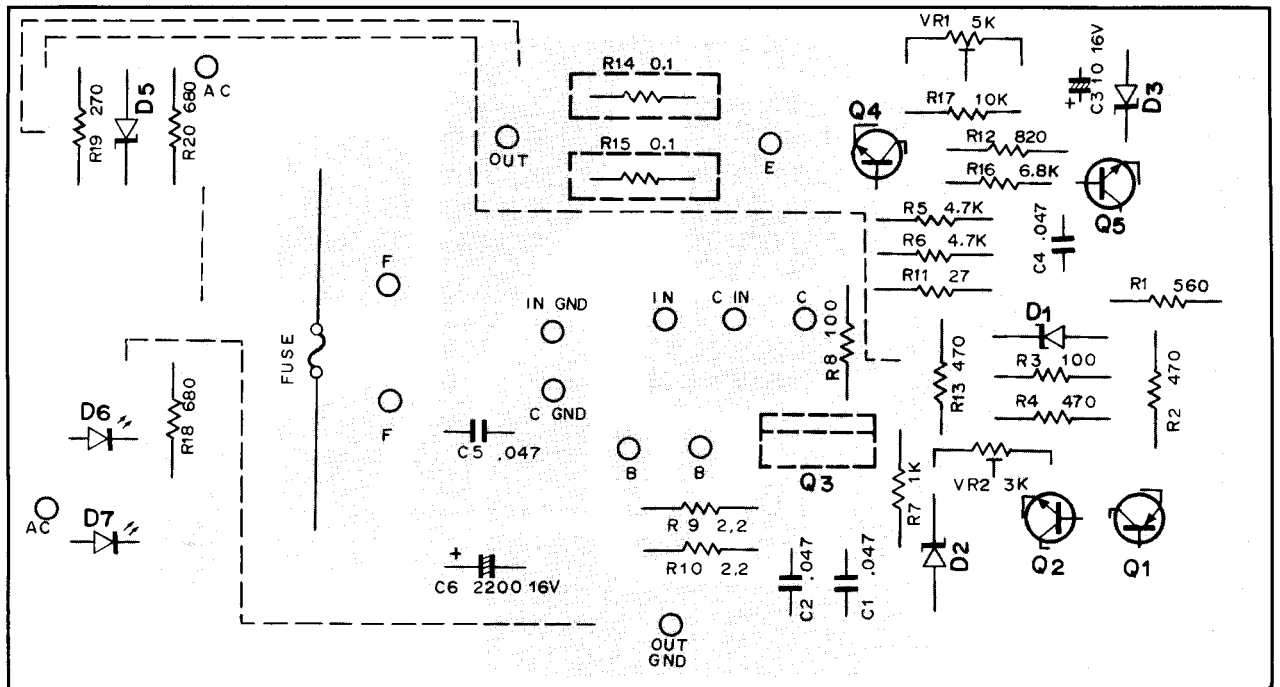
PS-20

SCHEMATIC DIAGRAM



PC BOARD

▼ AVR UNIT (X43-1350-00)



2SA1015
2SC1815
2SC1959

2SA473
2SD525



Q1 2SD525(O or Y)

Q2 2SD525(O or Y)

