

PS-30C DC POWER SUPPLY (OPTION)

SPECIFICATIONS

Power Supply Section

Input voltage DC POWER SUPPLY
 AC 120V/220V/240V
 ±10% 50/60 Hz

Output voltage DC 13.8V (standard voltage)

Output current 20A (intermittent load 25% duty cycle)

Countinuous load current 15A max.

Output voltage fluctuation Within ±0.7V at AC 120V, 220V, 240V±10% (Load current: 15A)
 Within 0.7V at 2~15A of load current (No-load output voltage: Less than 16V at AC 120V, 220V, 240V)

Ripple voltage Less than 20 mV (rms). output current 15A

Power consumption Approx. 470W at AC 120V, 220V, 240V. (Load current: 20A)

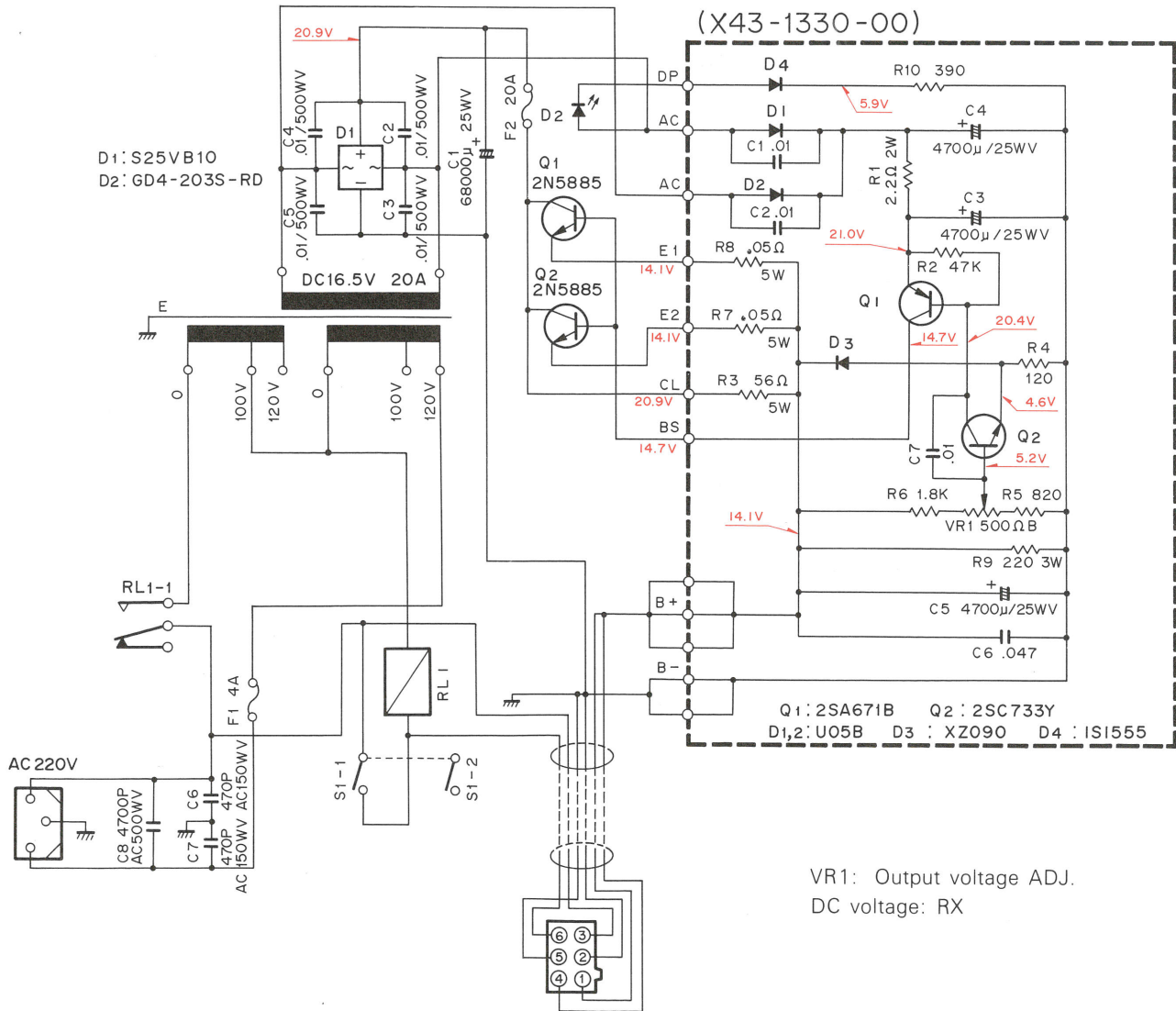
General

Dimensions 180 (7" - 1/16) W x 133 (5" - 1/4) H x 287 (11" - 5/16) D mm (inch)

Weight Approx. 8.9kg (19.6 lbs.)

Note: The circuit and ratings may change without notice due to developments in technology.

SCHEMATIC DIAGRAM



Ref. No.	Part No.	Description
	B40-2586-04	Name plate
	B42-1710-04	Label, name plate
	B50-3926-00	Instruction manual
	E18-0351-05	3P Inlet
	E22-0206-05	Connecting terminal 3P
	E22-0207-05	Connecting terminal 3P
	E30-1643-15	AC cord ass'y
	E30-1644-15	AC cord ass'y
	E31-0500-05	Cable with plug
	F01-0738-03	Heat sink
	F05-2035-15	Fuse (20A)
	F05-4022-05	Fuse (4A)
	F05-6021-05	Fuse (6A)
	F07-0827-04	Heat sink cover
	H01-2780-04	Packing carton (inside)
	H03-2023-04	Packing carton (outside)
	H10-2523-02	Packing fixture (F)
	H10-2524-02	Packing fixture (R)
	H12-0455-04	Packing fixture
	H20-1413-03	Protective cover
	H25-0029-04	Packing bag
	J02-0049-14	Foot x 4
	J13-0033-15	Fuse holder
	J19-0509-04	LED holder
	J42-0403-05	Cord bush
	J61-0019-05	Vinyle tie
	J61-0402-05	Free-up belt
	L01-8066-15	Power transformer
	N10-2030-46	Nut x 6
	N14-0115-05	Frange nut, transf.
	N14-0404-05	Frange nut, relay

Ref. No.	Part No.	Description
	N15-1030-41	Washer
	N15-1040-41	Washer
	N15-1060-41	Washer
	N30-2604-45	Round screw, see-saw switch
	N30-3006-41	Round screw, terminal plate
	N30-3008-41	Round screw, relay
	N30-3010-45	Round screw, heat sink
	N30-3020-45	Round screw
	N30-4012-41	Round screw, transf. front foot
	N33-3008-45	Flat screw, AC inlet
	N35-3006-45	Bind screw, case, panel, rearpanel
	N35-3014-41	Bind screw, transistor
	N87-3006-41	Self tapping screw
	N87-4012-41	Self tapping, rear foot
	N89-3005-45	Self tapping screw
	X43-1330-00	AVR unit

AVR UNIT (X43-1330-00) PARTS LIST

Ref. No.	Part No.	Description
C1,2	CK45F1H103Z	C 0.01 μ F +80%, -20%
C3 ~ 5	C90-0814-05	E 4700 μ F 25WV
C6	CK45F1H473Z	C 0.047 μ F +80%, -20%
C7	CK45F1H103Z	C 0.01 μ F +80%, -20%
R1	RS14GB3D2R2J	Resistor (Metal film) 22 Ω \pm 5% 2W
R3	R92-0622-05	Resistor (cement) 56 Ω 5W
R7,8	R92-0619-05	Resistor (cement) 0.05 Ω 5W
R9	RS14GB3F221J	Resistor (Metal film) 220 Ω \pm 5% 3W
Q1		Transistor 2SB512P
Q2	V03-0183-05	Transistor 2SC733 (Y)
D1,2	V11-0270-05	Diode U05B
D3	V11-4167-06	Zener diode XZ-090
D4	V11-0076-05	Diode 1S1555
VR1	R12-0042-05	Trim Pot 500 Ω (B)