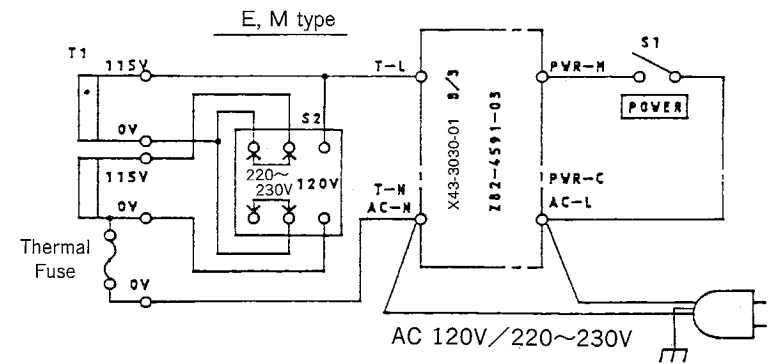
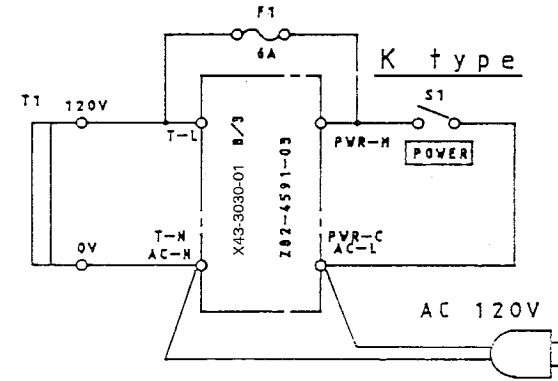
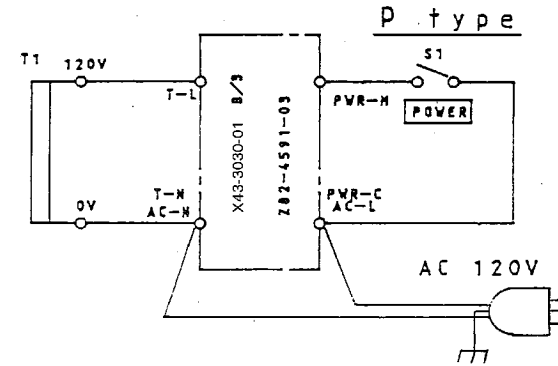
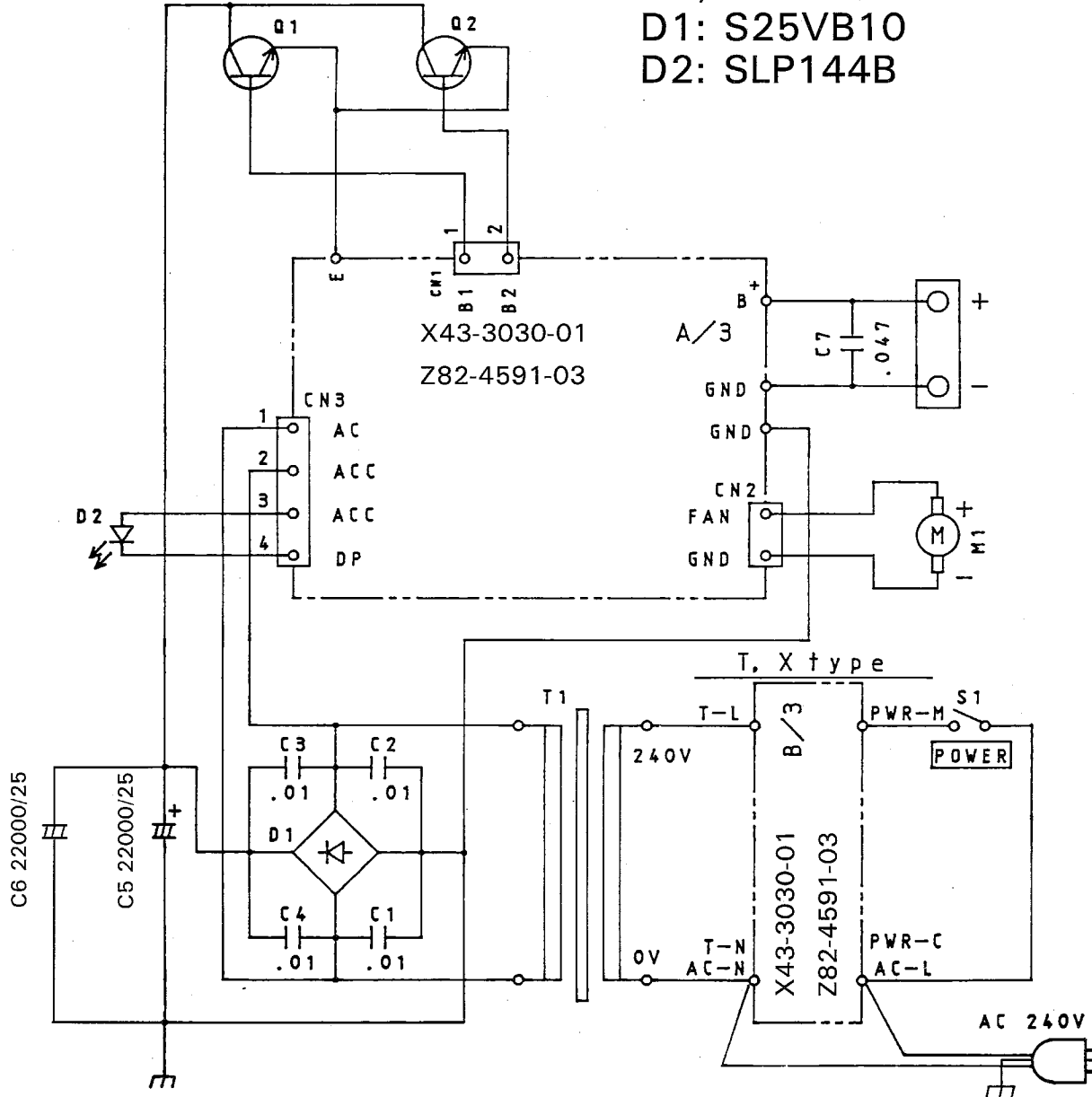


# CIRCUIT DIAGRAM

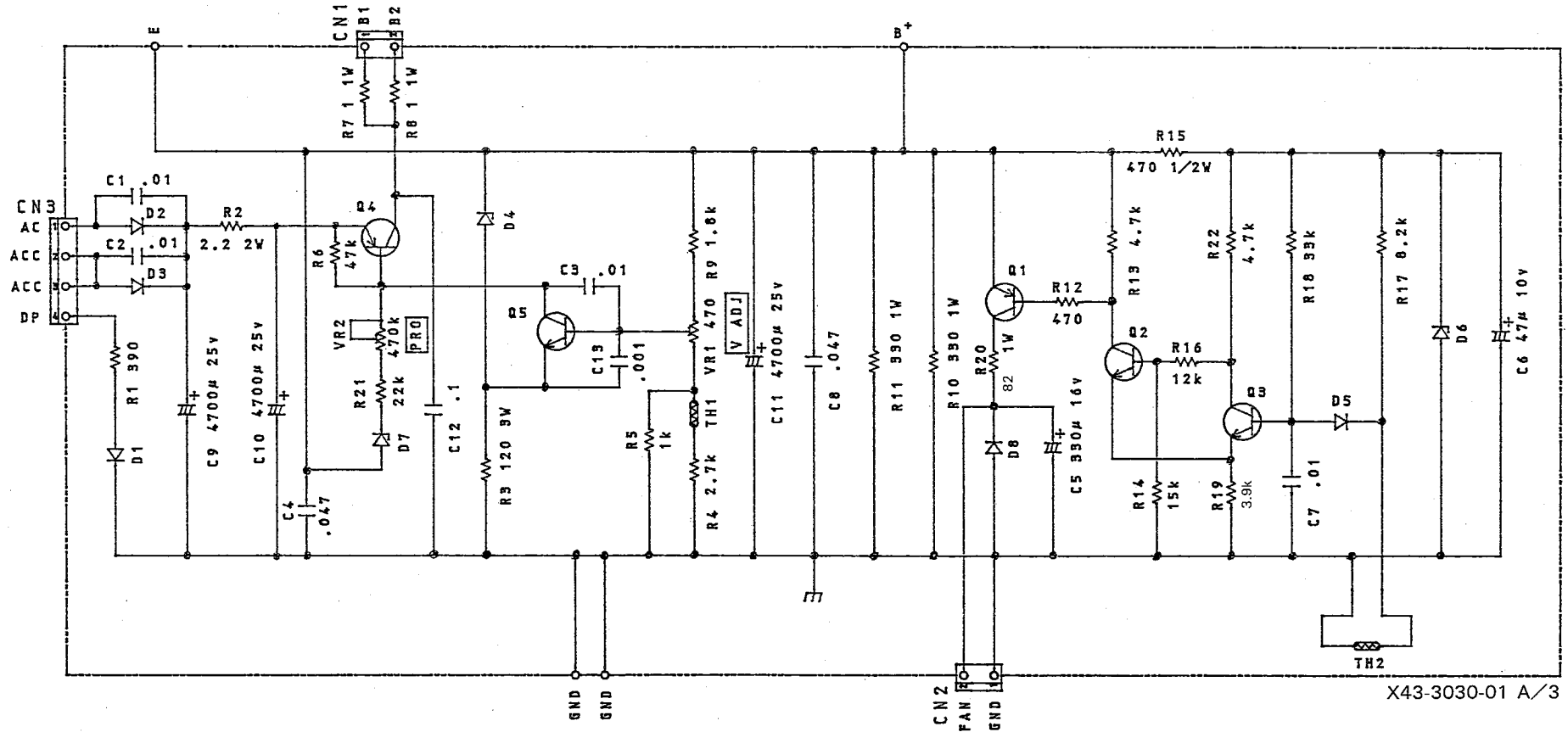
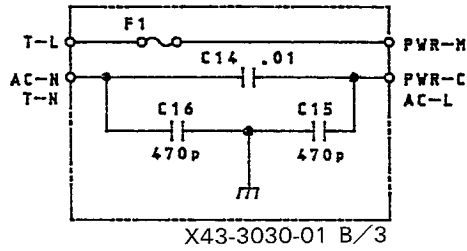
## ■ SCHEMATIC DIAGRAM

Q1, Q2: 2N5885  
 D1: S25VB10  
 D2: SLP144B



**Note:** Circuit is subject to change without notice due to advancement in technology.

■ AVR UNIT (X43-3030-01)



- |                         |                |
|-------------------------|----------------|
| Q1: 2SA562 (Y)          | D4, 6: UZ9.1BL |
| Q2, Q3, Q5: 2SC2458 (Y) | D7: UZ15BH     |
| Q4: 2SB941(Q)           | TH1: 32D27     |
| D1, 5, 8: 1S1555        | TH2: 5TP41L    |
| D2, 3: DSA3A1           |                |

**Note:** \_\_\_\_\_  
 Circuit is subject to change without notice due to advancement in technology.