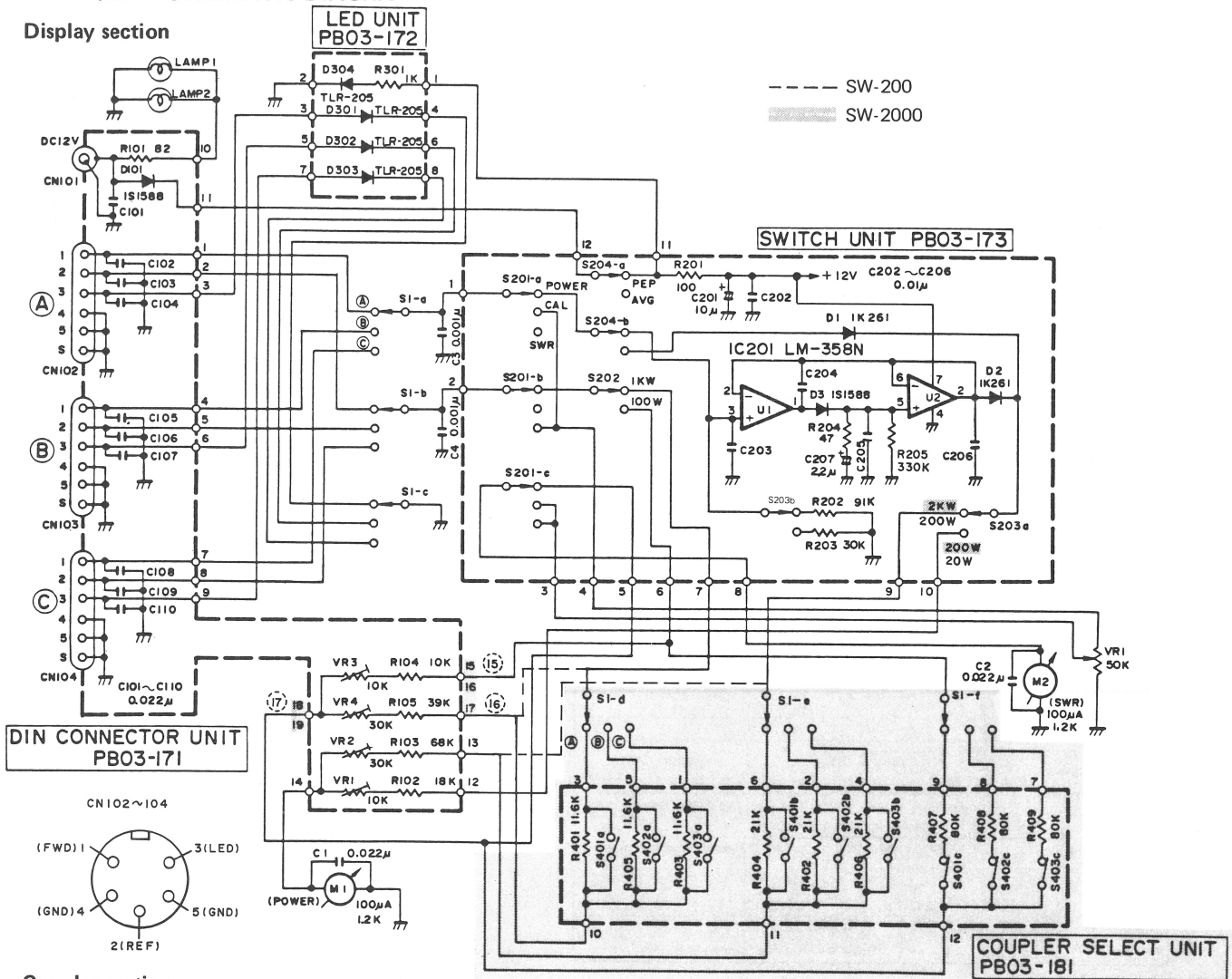


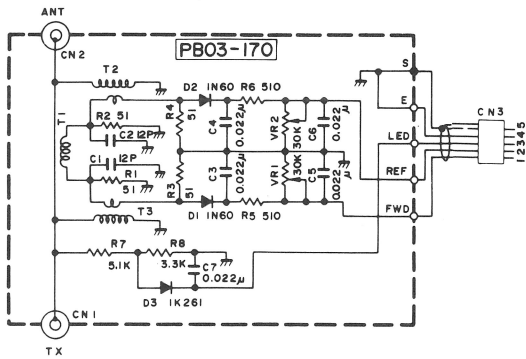
SW-200/2000 SCHEMATIC DIAGRAM

Display section

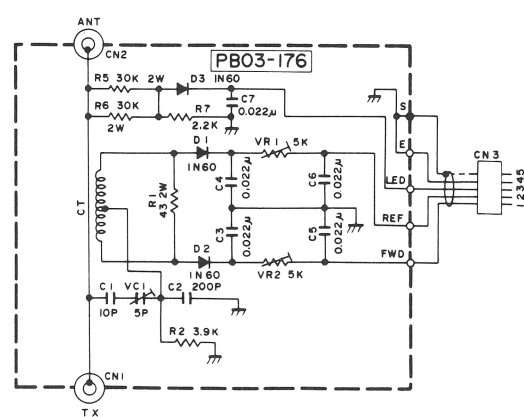


Coupler section

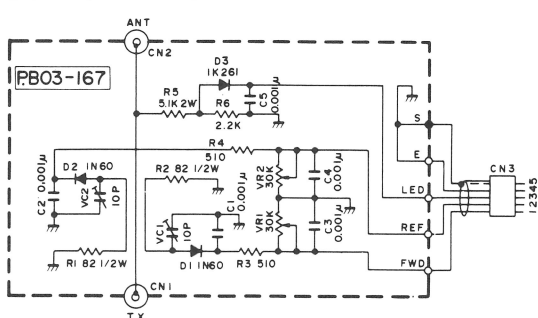
SWC-1 (SW-200A)



SWC-3 (SW-2000)



SWC-2 (SW-200B)



SW-200/2000 SPECIFICATIONS

Coupler section (Accessories)

		SW-200A	SW-200B	SW-2000
Model		SWC-1	SWC-2	SWC-3
Impedance		50-52Ω		
Frequency range		1.8-150MHz	140-450MHz	1.8-54MHz
Overload	AM/FM	200W	100W	HF 1KW, VHF 300W
	CW	300W	150W	1.5KW, 450W
	PEP	400W	200W	2KW, 600W
Insertion loss		Less than 0.3dB	Less than 0.5dB	Less than 0.3dB
Residual SWR		Within 1.2		
Connector		M type (SO-239)		
Detector cable length		Approx. 1.5m		
Dimensions () : Inch		W 68 (2.68),	H 32 (1.26),	D 52 (2.05)
Weight		Approx. 260g (0.6lbs)		



Display section

		SW-200A	SW-200B	SW-2000
Power measurement range	FWD	0-20, 200W		0-200, 2000W
	REF	0-10, 100W		0-100, 1000W
Power measurement accuracy (Full scale)		±10%		1.8-30MHz±10% 50-54MHz-15%
Power measurement mode		AVG, PEP		
SWR measurement range		1 : 1-1 : 10		
Minimum power for SWR measurement		Approx. 3W		Approx. 30W
Coupler connection and display		<ul style="list-style-type: none"> ● Arbitrary coupler SWC-1,2,3 3-units connectable (SW-2000) ● Arbitrary coupler SWC-1,2 3-units connectable (SW-200A,B) ● 3-couplers switchable and display 		
Power consumption		11V-15V DC. MAX 100mA (PEP measurement and meter lamp only)		
Dimensions () : Inch		W 196 (7.72),	H 63 (2.48),	D 78 (3.07)
Weight		Approx. 650g (1.4 lbs)		
Accessories		Red/black DC power cable (1m)		

SW-200/2000

KENWOOD