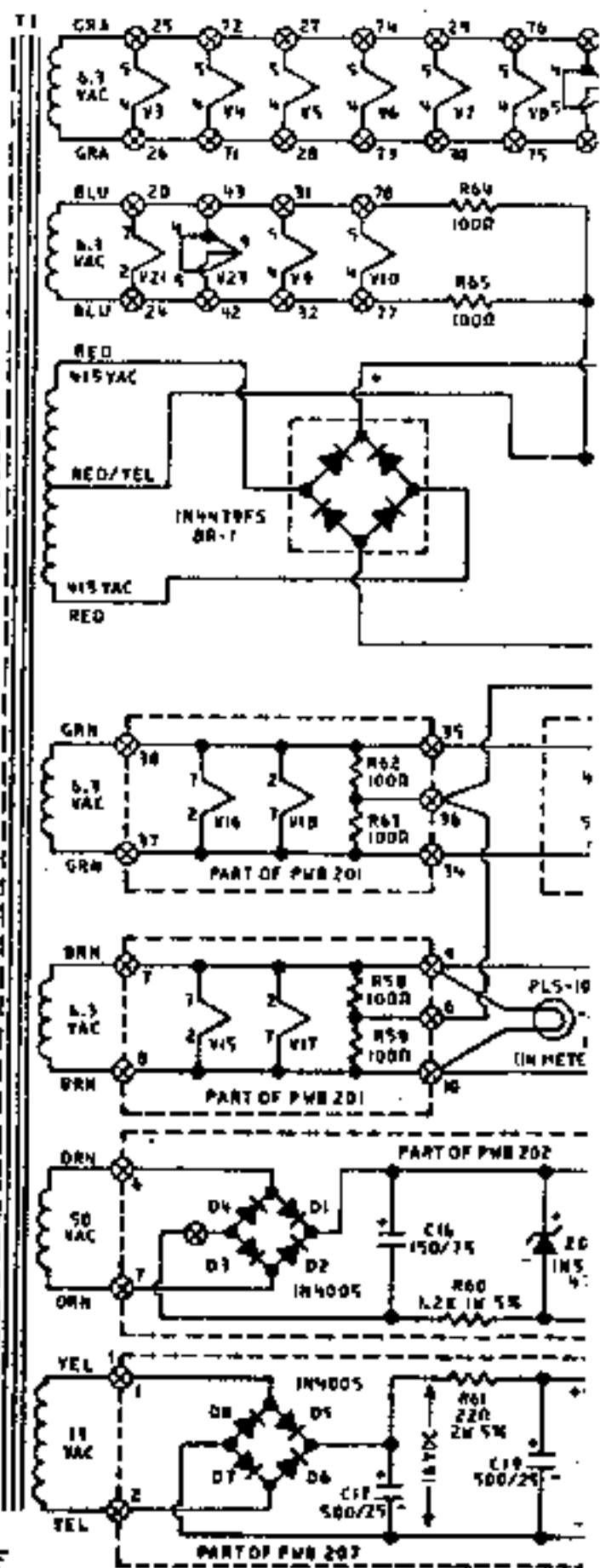
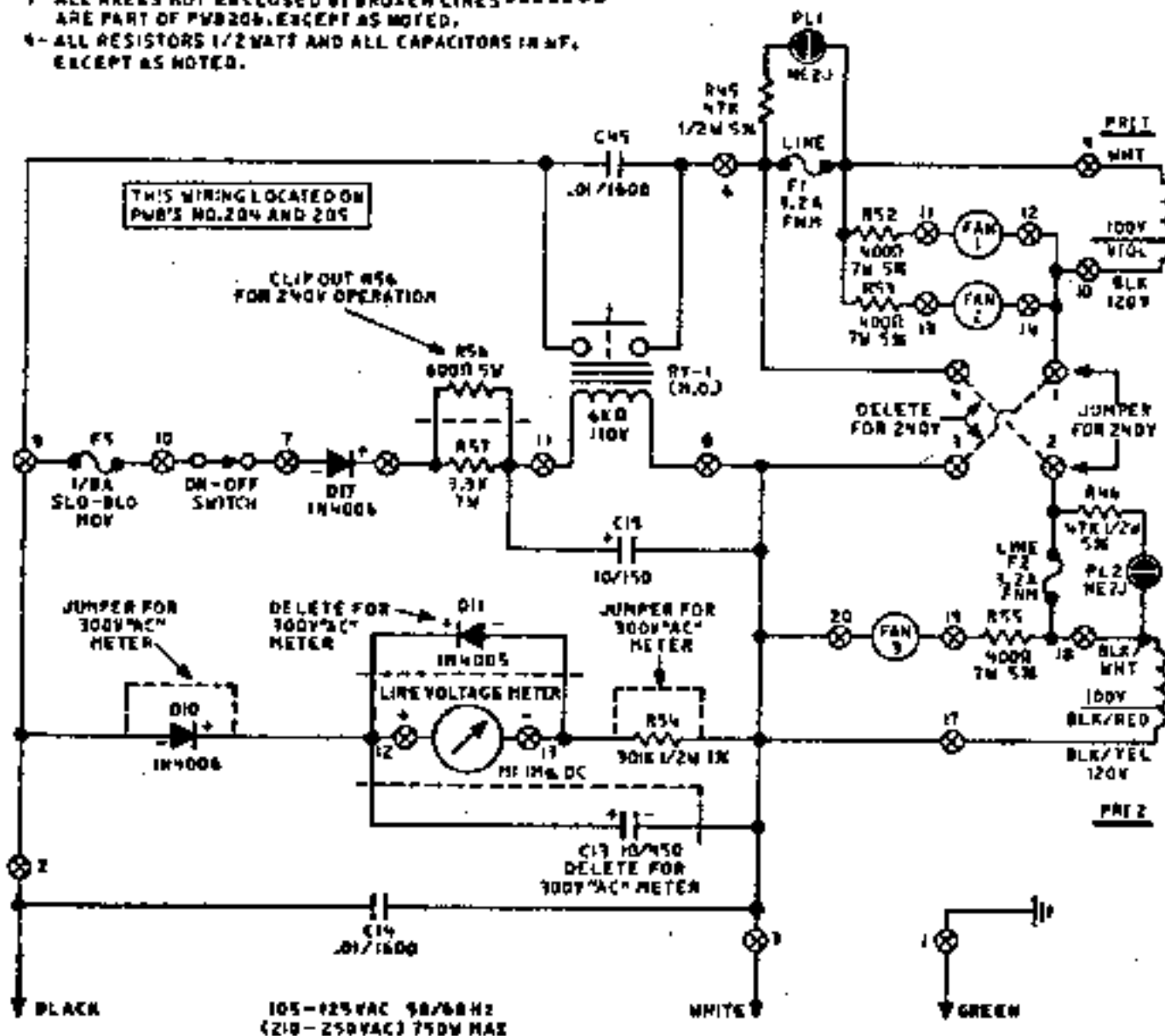


- 1- LEFT CHANNEL SHOWN (RIGHT CHANNEL TUBE PIN NUMBERS, WHERE DIFFERENT, ARE SHOWN IN PARENTHESES).
- 2- ⊗ DENOTES P.W.B.O.A.R.D. INTERCONNECTIONS AND WIRING POSTS (RIGHT CHANNEL SHOWN IN PARENTHESES).
- 3- ALL AREAS NOT ENCLOSED BY DASHED LINES ARE PART OF PWB 200, EXCEPT AS NOTED.
- 4- ALL RESISTORS 1/2WATT AND ALL CAPACITORS IN MF, EXCEPT AS NOTED.



Audio Research D79

