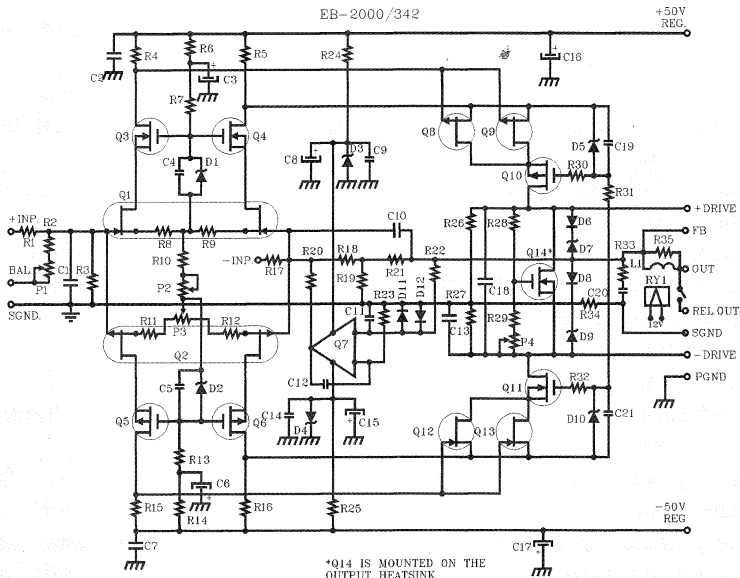


"MILLENNIUM" ALL-FET CLASS-A DRIVER

EB-2000/342



*Q14 IS MOUNTED ON THE
OUTPUT HEATSINK

THE EB-2000/342 DESIGN IS THE PROPERTY OF ERNO BORBELY/BORBELY AUDIO.
COMMERCIAL USE IS NOT AUTHORISED WITHOUT LICENSE AGREEMENT.

FIGURE 2: The Millennium power amp driver stage is an all-FET design in the best Borbely Audio tradition.

ALL-FET CLASS-A/AB POWER AMPLIFIERS 75W CLASS-A, 150W CLASS-AB

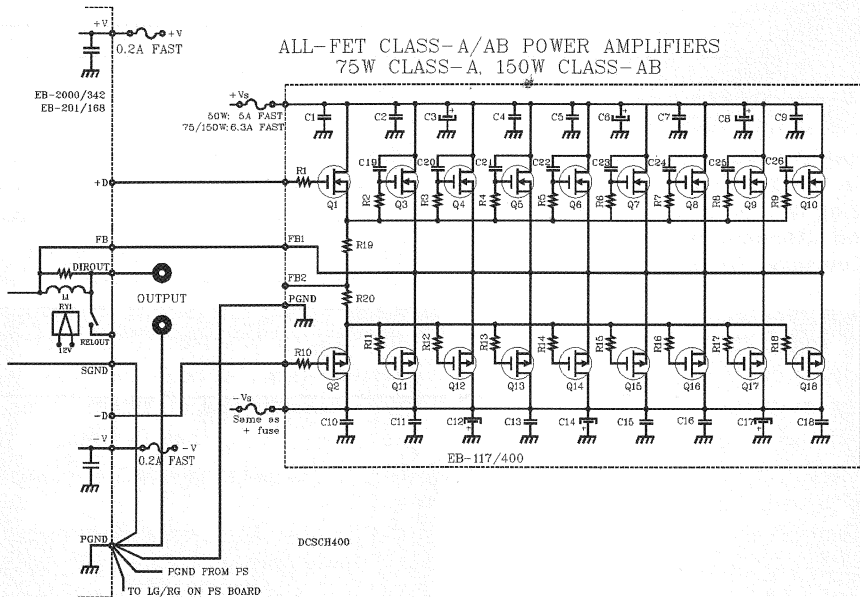


FIGURE 3: With the Millennium driver stage, this massive, matched, parallel MOSFET output stage delivers up to 75W of class-A power.