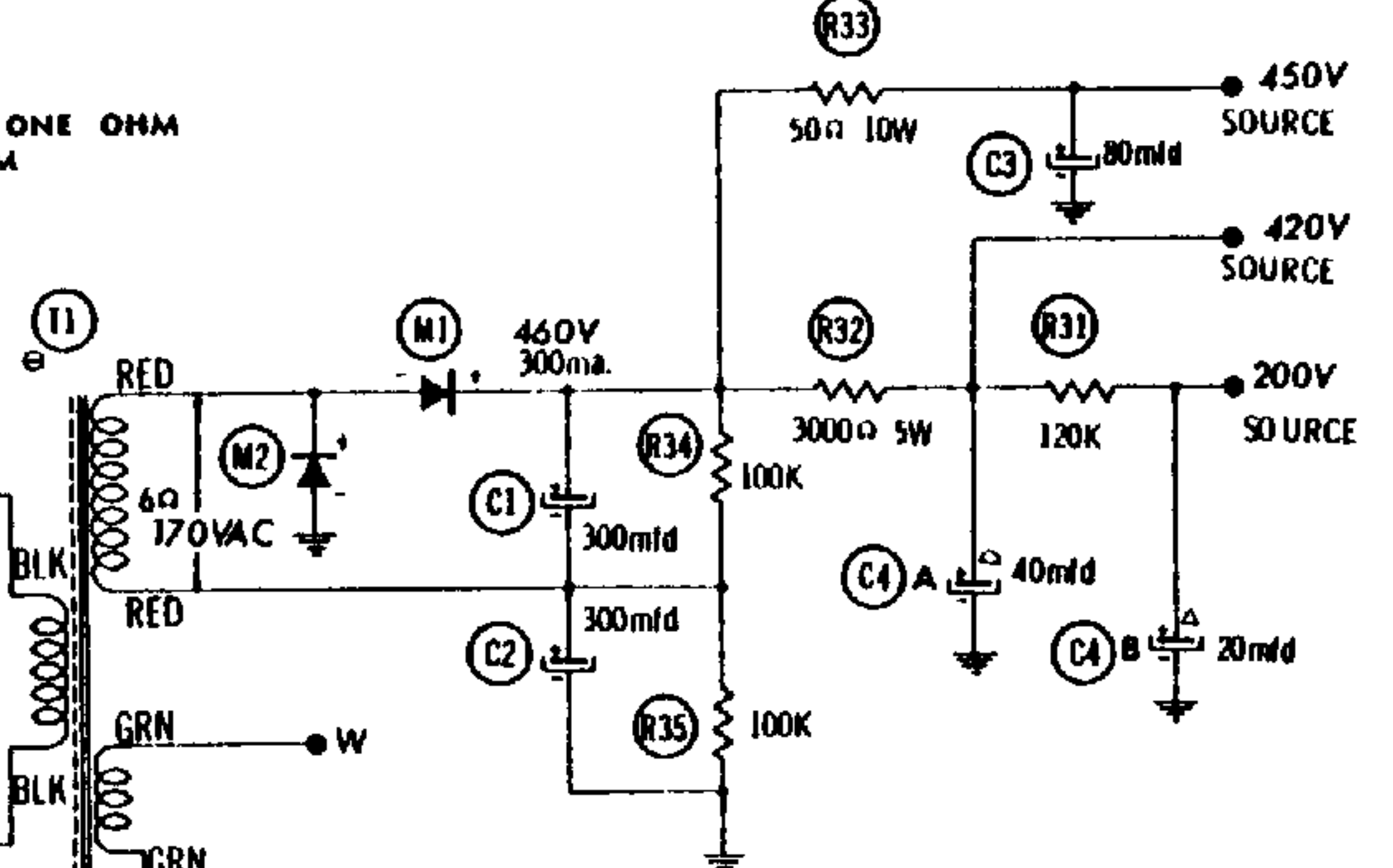
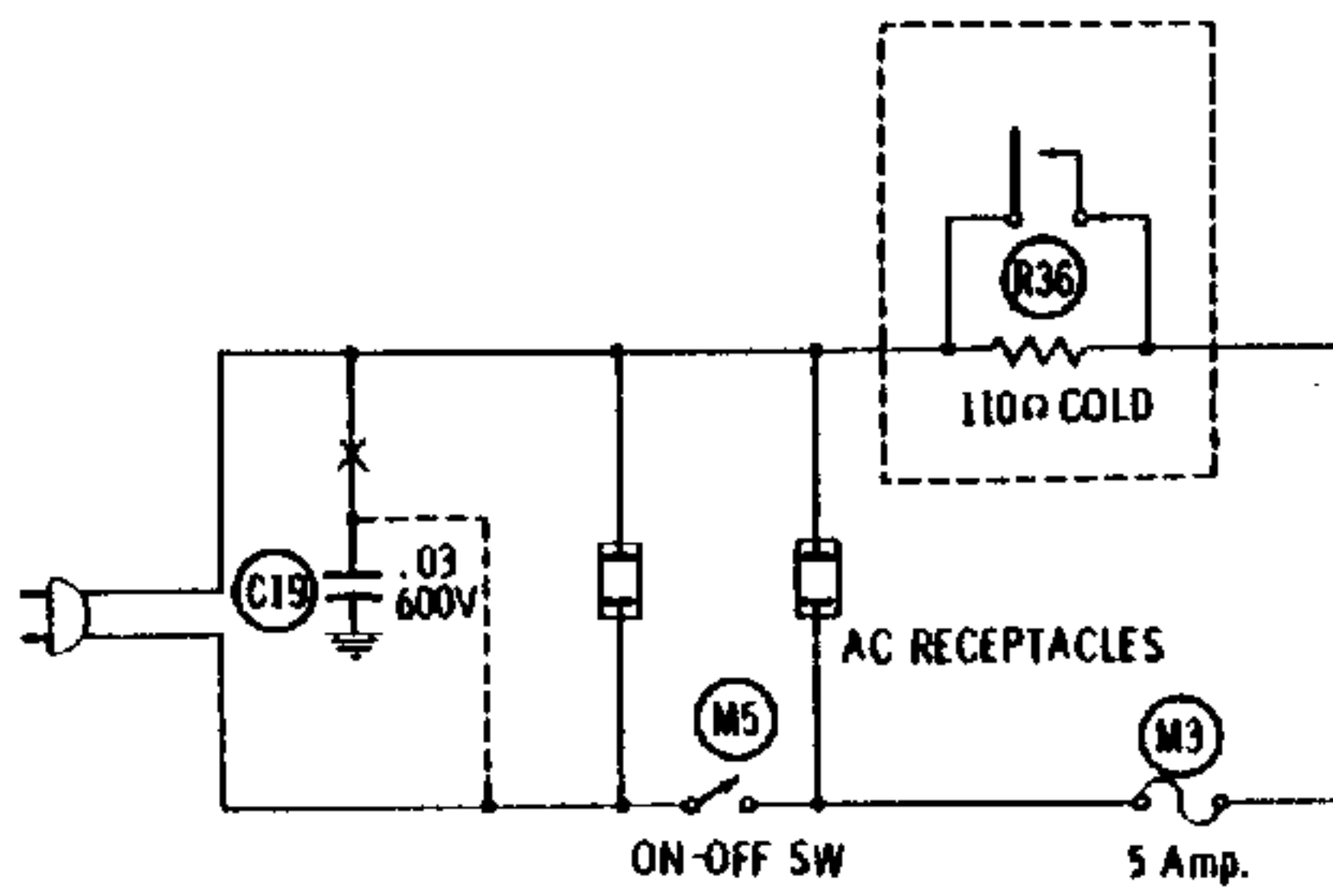


SEE PARTS LIST FOR ALTERNATE VALUE OR APPLICATION
 DC COIL RESISTANCE VALUES UNDER ONE OHM NOT SHOWN ON SCHEMATIC DIAGRAM

TUBE PLACEMENT BOTTOM VIEW



- DC voltage measurements taken with vacuum tube voltmeter; AC voltages measured with 1000 ohm per volt voltmeter.
- Socket connections are shown as bottom views.
- Measured values are from socket pin to common ground.
- Line voltage maintained at 117 volts for voltage readings.
- Nominal tolerance of component values makes possible a variation of ±15% in voltage and resistance readings.
- All controls at minimum, proper output load connected.

RESISTANCE READINGS

ITEM	TUBE	Pin 1	Pin 2	Pin 3	Pin 4	Pin 5	Pin 6	Pin 7	Pin 8	Pin 9
V1	ECC83 12AX7	1220K	10K	1100Ω	.2Ω	.2Ω	1220K	10K	1100Ω	0Ω
V2	6SN7GTB	11.2meg	136K	18K	1220K	132K	18K	0Ω	.2Ω	
V3	EL34 6CA7	235Ω	0Ω	1250Ω	1120Ω	120K	TP	.2Ω	235Ω	
V4	EL34 6CA7	235Ω	0Ω	1290Ω	1140Ω	120K	TP	.2Ω	235Ω	
V5	6SN7GTB	11.2meg	136K	18K	1220K	132K	18K	0Ω	.2Ω	
V6	EL34 6CA7	235Ω	0Ω	1250Ω	1120Ω	120K	TP	.2Ω	235Ω	
V7	EL34 6CA7	235Ω	0Ω	1290Ω	1140Ω	120K	TP	.2Ω	235Ω	

1 MEASURED FROM OUTPUT OF M1.

TP TIE POINT