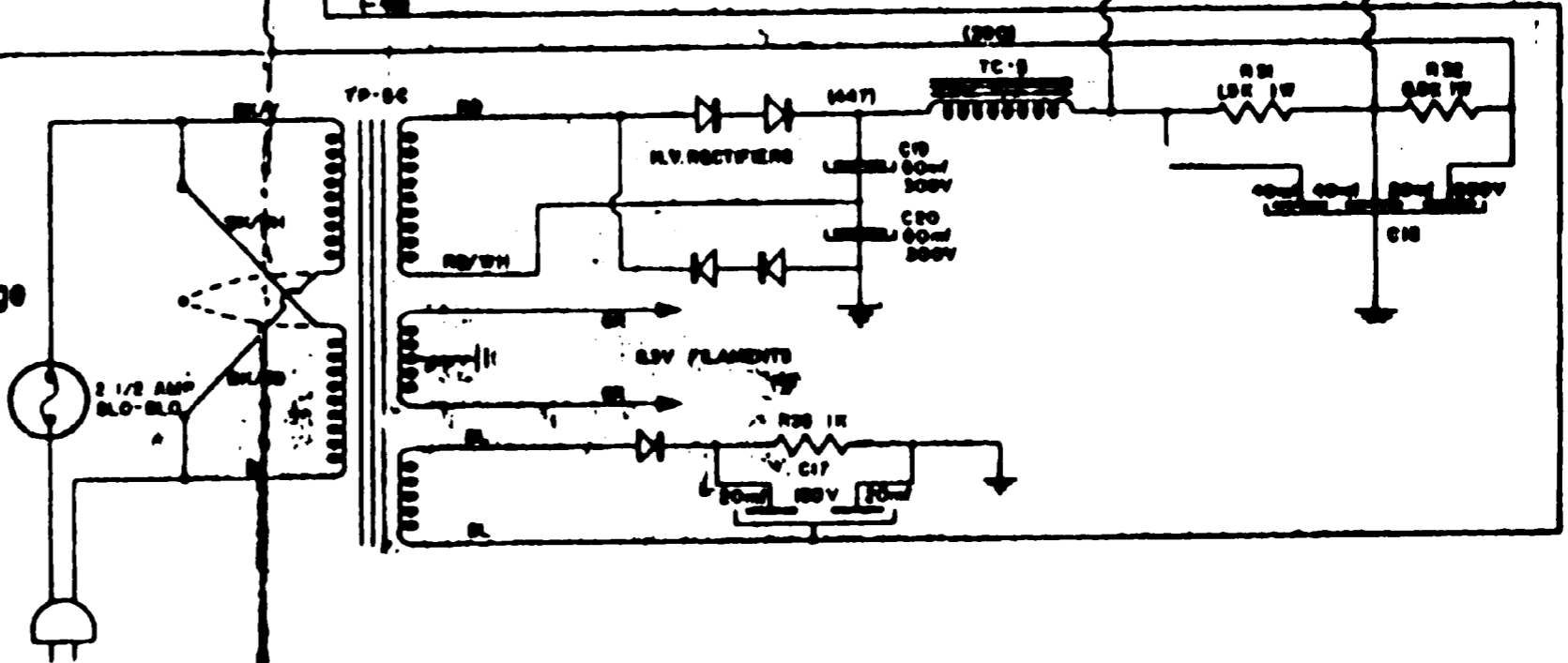


Figures 1a potentials are approximate DC voltages measured with VTVM  
 Underlined figures are approximate AC RMS voltages with 1000 cycle signal  
 into "INPUT" adjusted to give a 10 Volt output on 100% tap into a resistive  
 load. Load should require approximately 0.87 Watts RMS  
 Unless otherwise specified, Capacitors in circuit are MFD  
 Resistors are 1/2 W composition  
 Δ Connect Screen resistors to Pin for Triode operation  
 † Insert Resistor for Lower Damping Factor

1 - 1,000  
 10 - 10,000,000  
 \* These components are selected to obtain optimum operation  
 with particular output transformers.

Wiring shown for 117V operation  
 For 234V operation, see other BL/WH  
 and BL/RO and solder them together  
 on unused terminal.

For 234v. operation, change  
 fuse to 1 1/2. 3AG Sic-Bio



model 68  
**marantz**  
 DUAL THIRTY-FIVE STEREOPHONIC  
*Power Amplifier*

marantz company  
 25-14 BROADWAY, LONG BEACH CITY 4, N. Y.