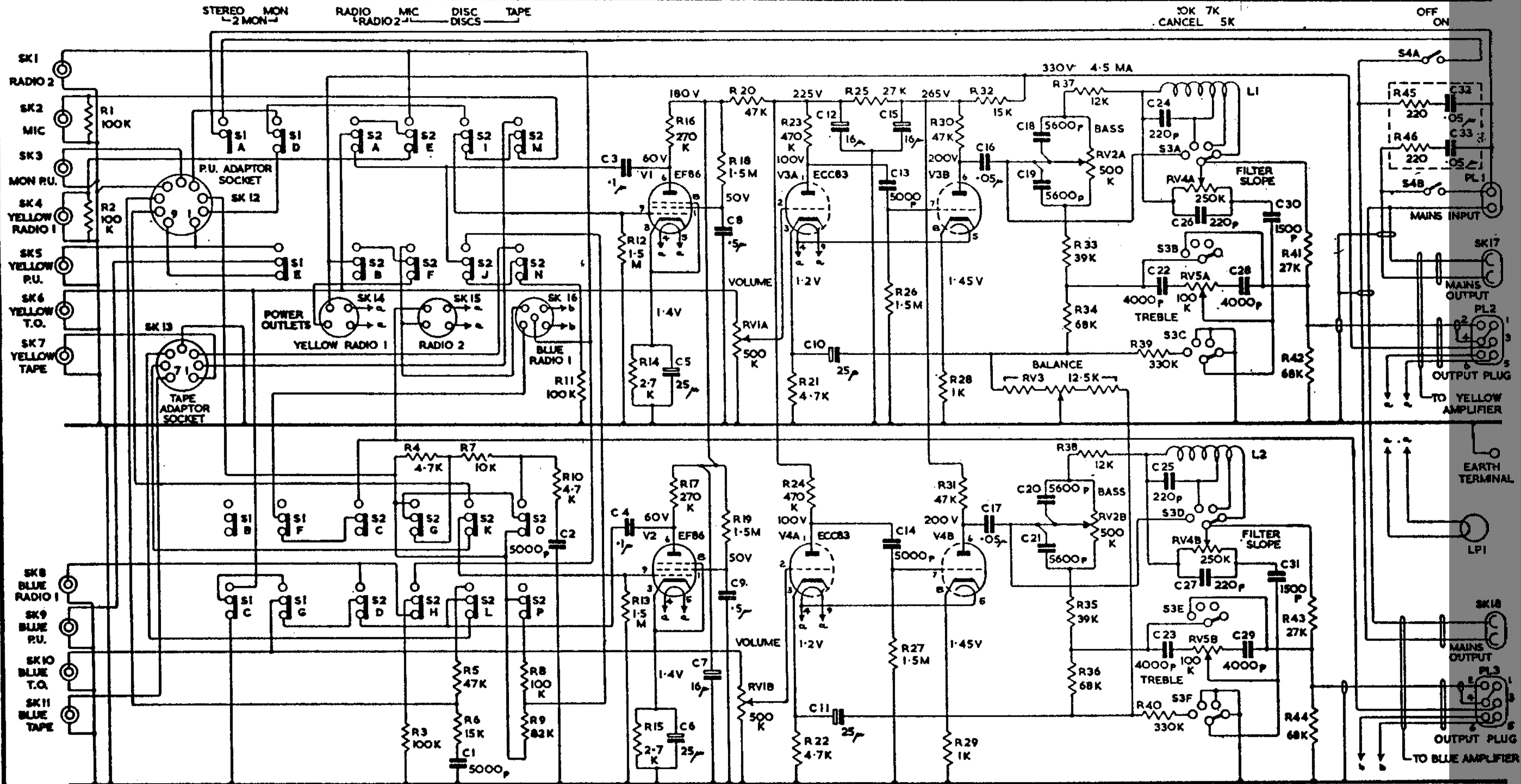


R	1	2	3	4	5	6	7	8	9	10	11	12	13	14	15	16	17	18	19	20	21	22	23	24	25	26	27	28	29	30	31	32	33	34	35	36	37	38	39	40	RV4A	RV4B	RV5A	RV5B	41	42	43	44	45	46	R
C				1	2	3	4	5	6	7	8	9	10	11	12	13	14	15	16	17	18	19	20	21	22	23	24	25	26	27	28	29	30	31	32	33	C														



STEREO MON RADIO MIC DISC TAPE DRG No B 11402 ISS. 1

THE VOLTAGE AND CURRENT MEASUREMENTS SHOWN ARE APPROXIMATE, AND ARE ONLY PROVIDED AS A GUIDE. ALLOWANCE SHOULD BE MADE FOR THE LOADING EFFECTS OF A VOLTMETER.

### QUAD 22 CONTROL UNIT CIRCUIT DIAGRAM

Amendment December, 1959

C 13 } now 820 pF  
C 14 }

C 16 } now .1 uF  
C 17 }

C 34 } added .02 uF in series with volume control.  
C 35 }