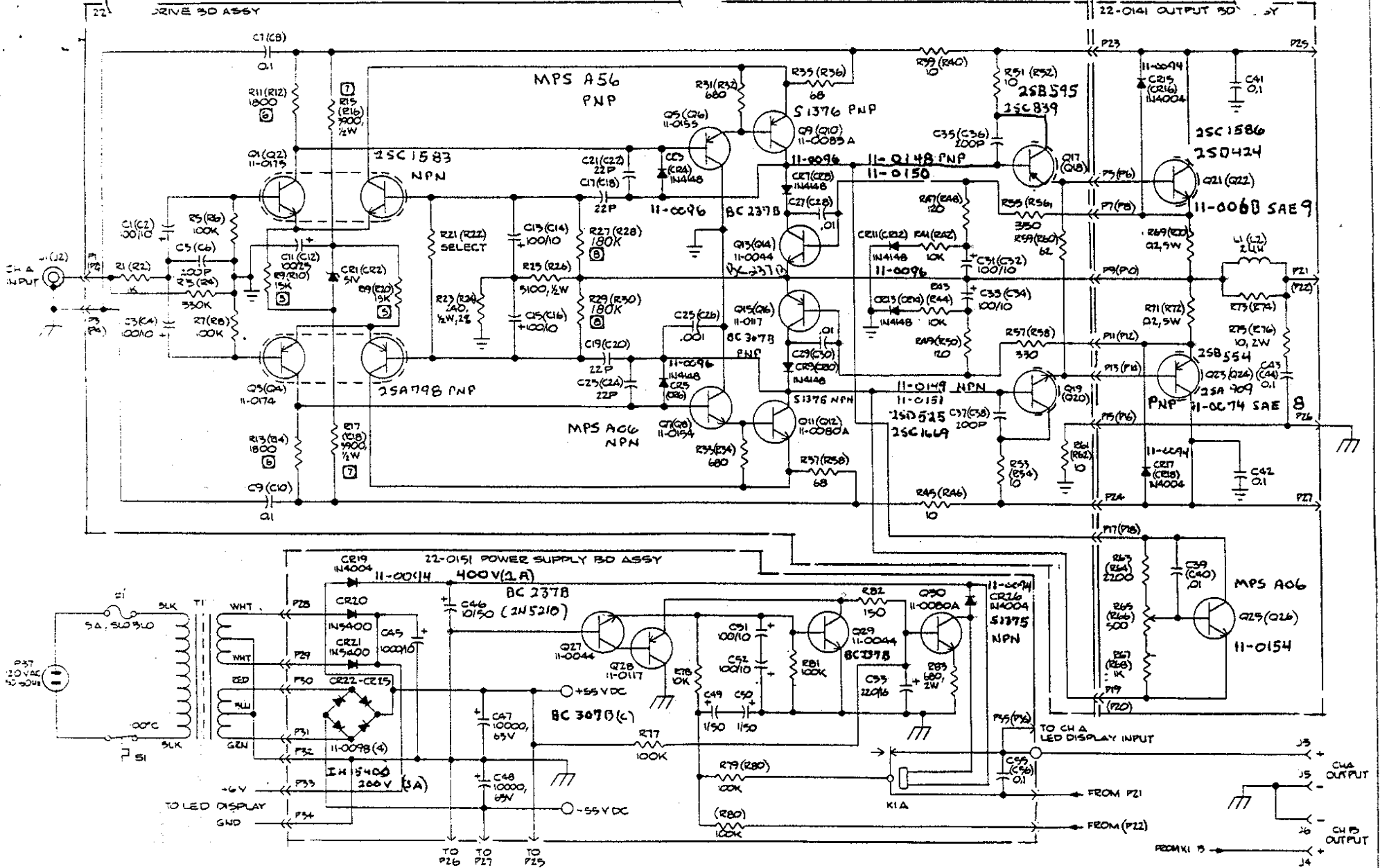


May not be correct (E van do IJed)

SAE
1734 Gage Rd.
Montebello, CA 90640
(213) 726-9999

- ① U1-U7 = SAE 11-0163
- ② 22K FOR MODEL 2200, 33K FOR MODEL 2400
- ③ R1-R14, R42-R55 = 100 OHMS.
- ④ CR1-CR19, CR24-CR30 = SAE 10-0020
- 2. CAPACITORS IN MICROFARADS
- 1. RESISTORS IN OHMS, 1/4W, 5%.
- NOTES, UNLESS SPECIFIED:

CONTRACT NO		APPROVALS		DATE
DRAWN		DATE		2-21-77
CHECKED		DATE		
SCHEMATIC, 2200, 2400 LED POWER DISPLAY				
SIZE	CODE IDENT NO	DRAWING NO.		
C				
SCALE			SHEET 1 OF 1	



1. MATCHED PAIR.
 2. MATCHED PAIR.
 3. MATCHED PAIR.
 4. MATCHED PAIR.
 5. NUMBERS IN PARENTHESIS ARE FOR CH B.
 6. CH A SHOWN, CH B IDENTICAL.
 7. CAPACITORS IN UFD.
 8. RESISTORS IN OHMS, &W, 5%.
- NOTES:

LAST REF DESIGNATION	
C56	L2 T1
CR26	P57
E1	Q30
J6	R83
K1	S1

MPS MISSING
C54

OUT OF SEQUENCE
P23
P24
P25
P26
P27

REV AS PER ECD 216 3/4/74

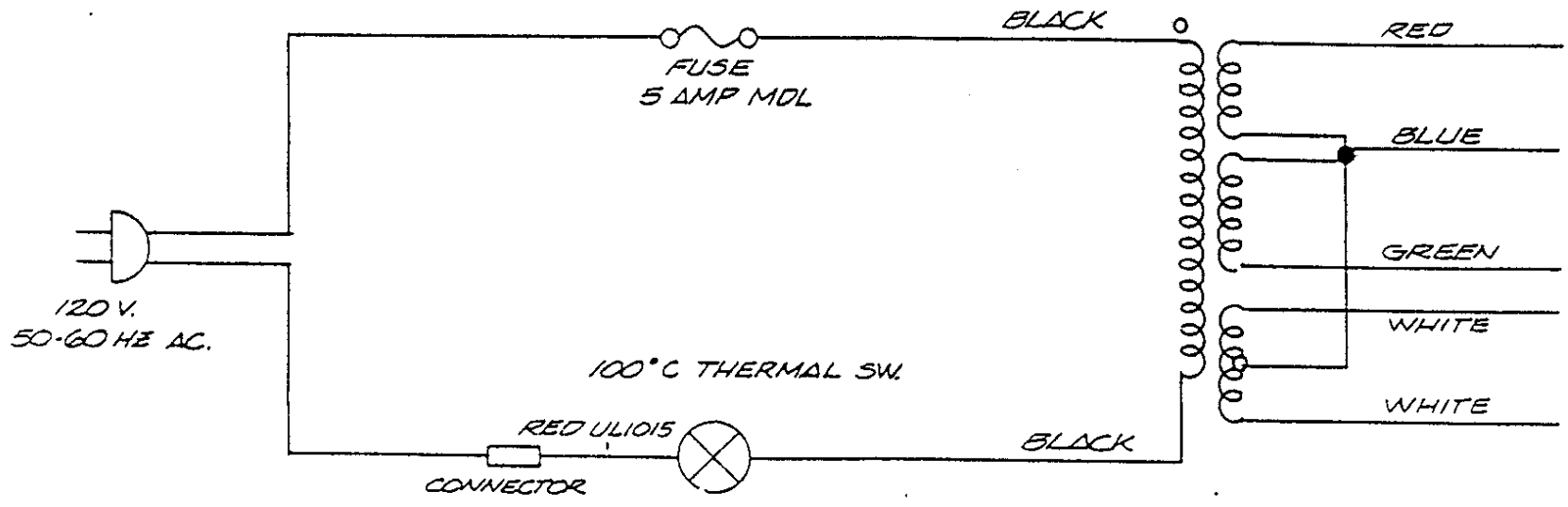
CONTRACT NO.	DATE
APPROVALS	12-27
CHECKED	

SCHEMATIC, 2200
POWER AMP

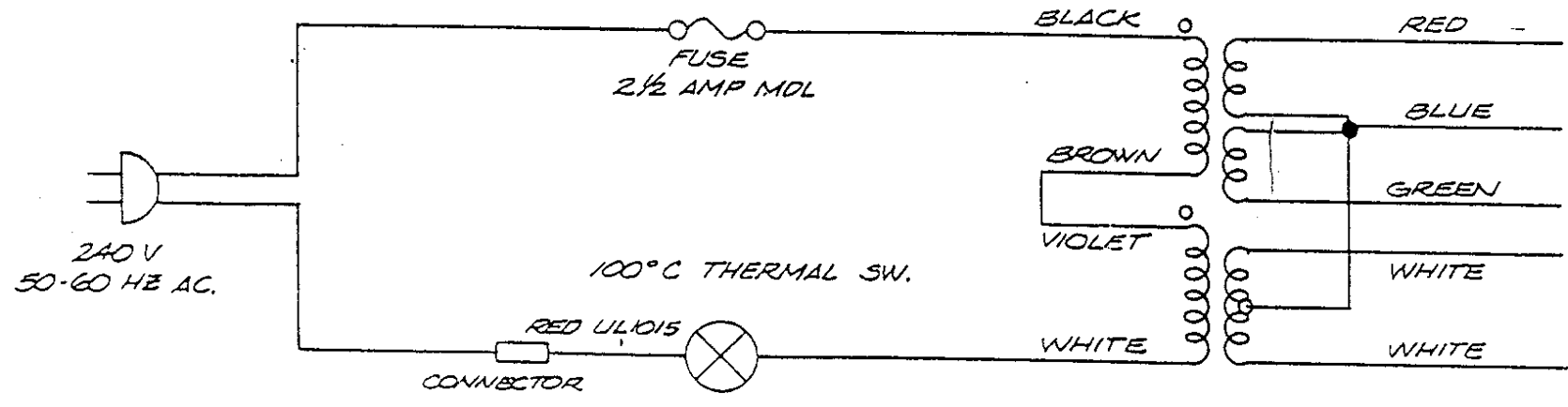
SIZE	CODE IDENT NO.	DRAWING NO.	REV.
C			

SCALE SHEET 1 OF 1

120 VOLT DOMESTIC



240 VOLT EXPORT



MK. 2200 PRIMARY WIRING