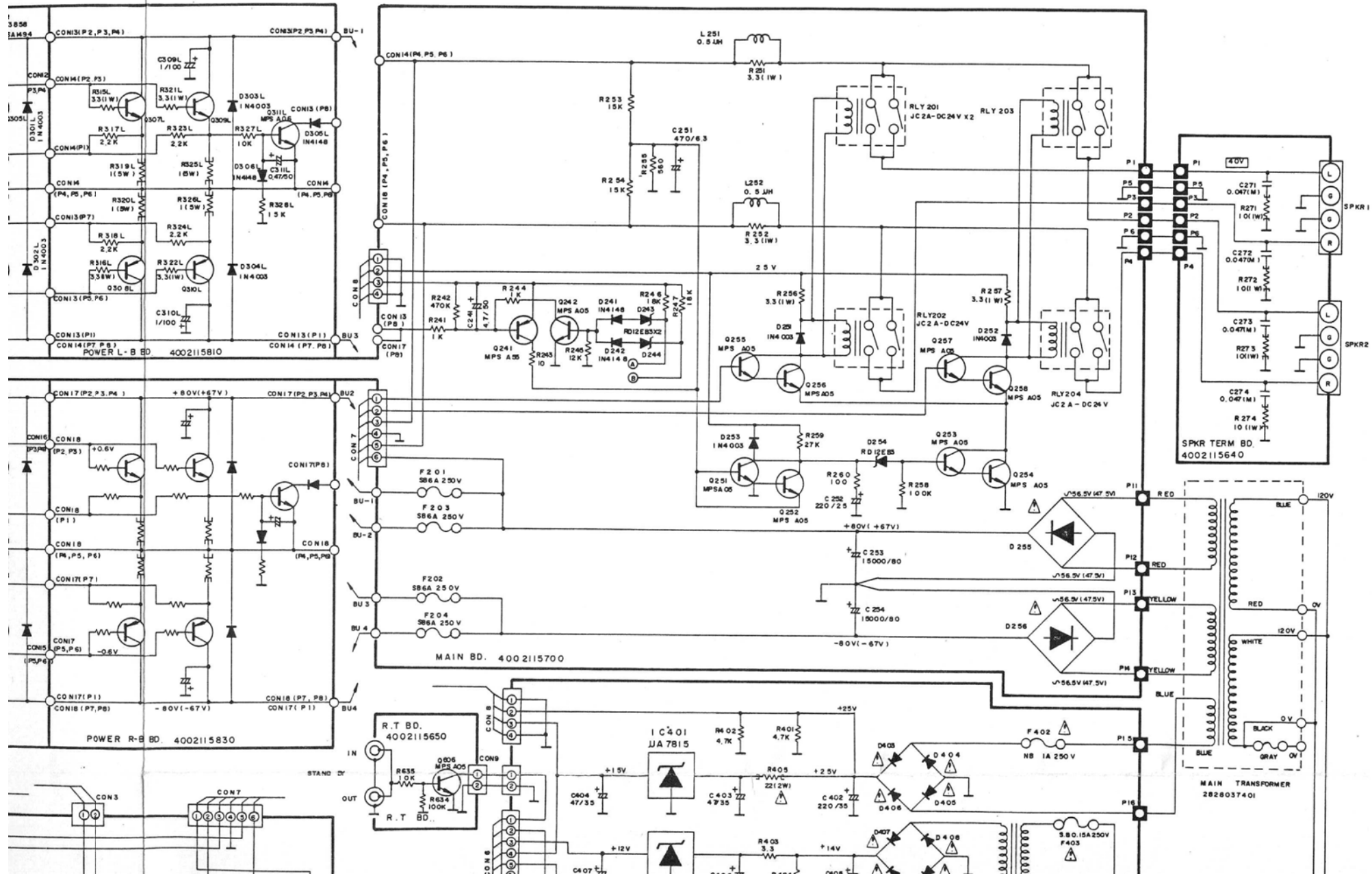


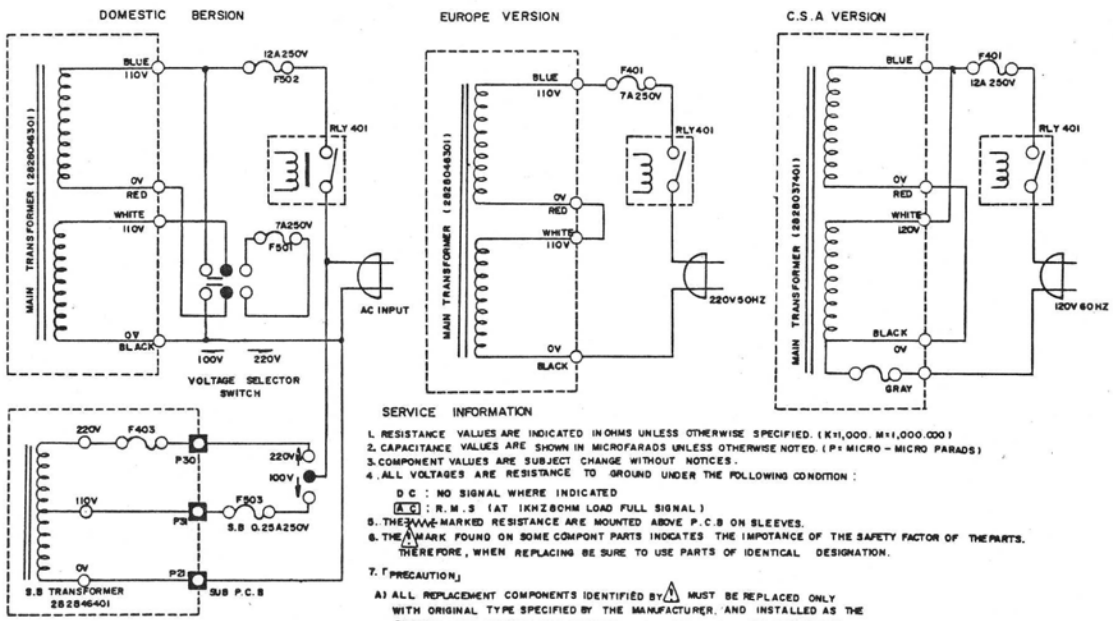
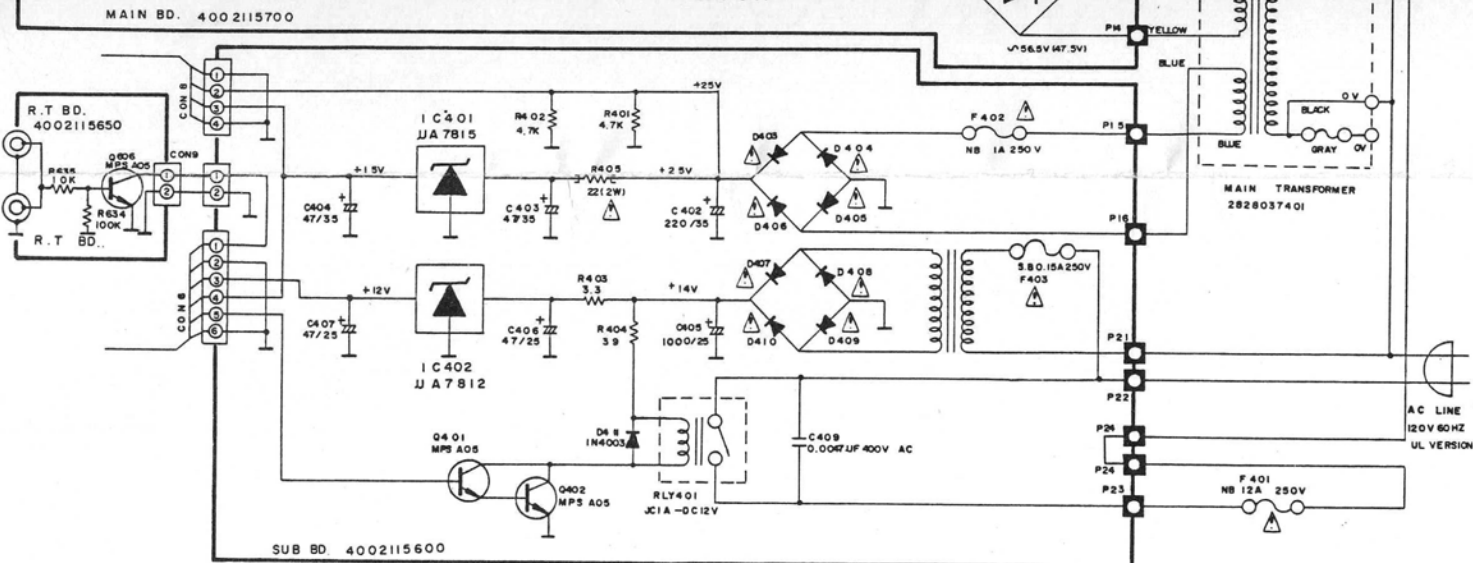
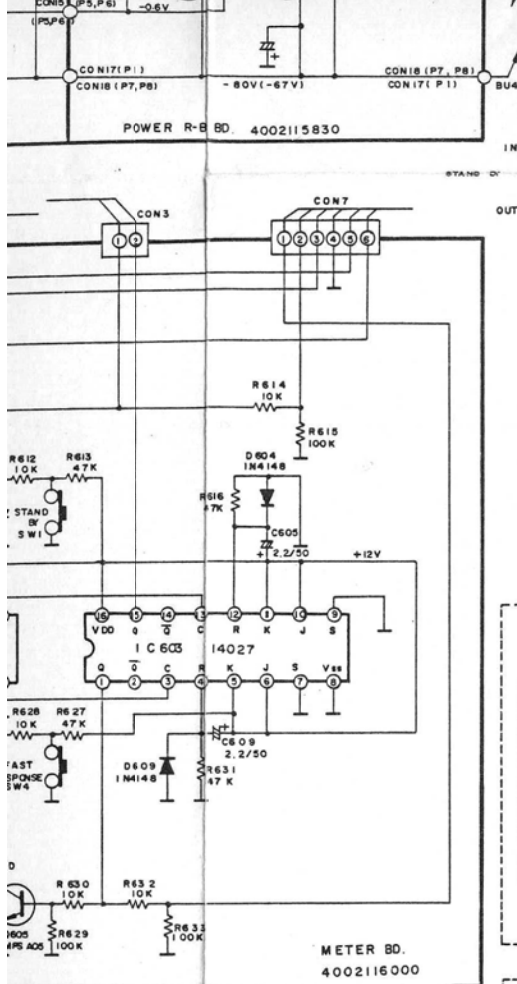
# Schematic Diagram A502



1

2

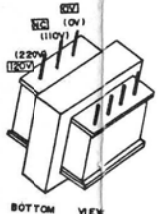
3



**SERVICE INFORMATION**

- RESISTANCE VALUES ARE INDICATED IN OHMS UNLESS OTHERWISE SPECIFIED. (K=1,000, M=1,000,000)
- CAPACITANCE VALUES ARE SHOWN IN MICROFARADS UNLESS OTHERWISE NOTED. (P= MICRO - MICRO PARADS)
- COMPONENT VALUES ARE SUBJECT CHANGE WITHOUT NOTICE.
- ALL VOLTAGES ARE RESISTANCE TO GROUND UNDER THE FOLLOWING CONDITION:
  - D.C.: NO SIGNAL WHERE INDICATED
  - [Symbol]: R.M.S. (AT 1KHZ 80HM LOAD FULL SIGNAL)
- THE [Symbol]-MARKED RESISTANCE ARE MOUNTED ABOVE P.C.B. ON SLEEVES.
- THE [Symbol] MARK FOUND ON SOME COMPONENT PARTS INDICATES THE IMPORTANCE OF THE SAFETY FACTOR OF THE PARTS. THEREFORE, WHEN REPLACING BE SURE TO USE PARTS OF IDENTICAL DESIGNATION.
- PRECAUTION:
  - ALL REPLACEMENT COMPONENTS IDENTIFIED BY [Symbol] MUST BE REPLACED ONLY WITH ORIGINAL TYPE SPECIFIED BY THE MANUFACTURER, AND INSTALLED AS THE ORIGINAL WITH SPACERS AND POSITIONED AWAY FROM ADJUCENT COMPONENTS WHERE APPLICABLE.
  - ALL SOLDERING MUST BE DOWN IN A PROFESSIONAL MANNER USING SOLDER WITH ROSIN CORE ONLY.
  - ALL COVERS, SHIELDS AND INSULATING SPACERS MUST BE REPLACED BEFORE RETURNING APPLIANCE TO CUSTOMER.
  - DAMAGED POWER SUPPLY CORD MUST BE REPLACED BEFORE RETURNING APPLIANCE CUSTOMER.
  - A DIELECTRIC TEST CONSISTING OF 1050V AC 60HZ IS TO BE APPLIED BETWEEN BOTH BLADES OF THE POWER SUPPLY CORD ATTACHMENT PLUG AND THE EXPOSED CONDUCTIVE SURFACE OF THE APPLIANCE FOR A PERIOD OF NOT LESS THAN ONE SECOND BEFORE RETURNING APPLIANCE TO CUSTOMER.

Secondary Transformer  
 Drawn Load = .08 Amps  
 Measured 11/29/00 @ 14VDC



3

4

5

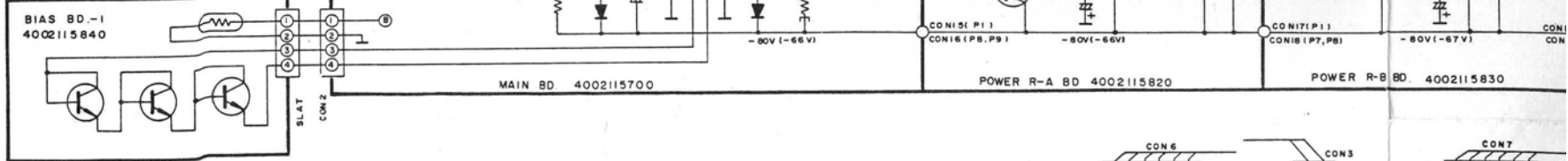
D

E

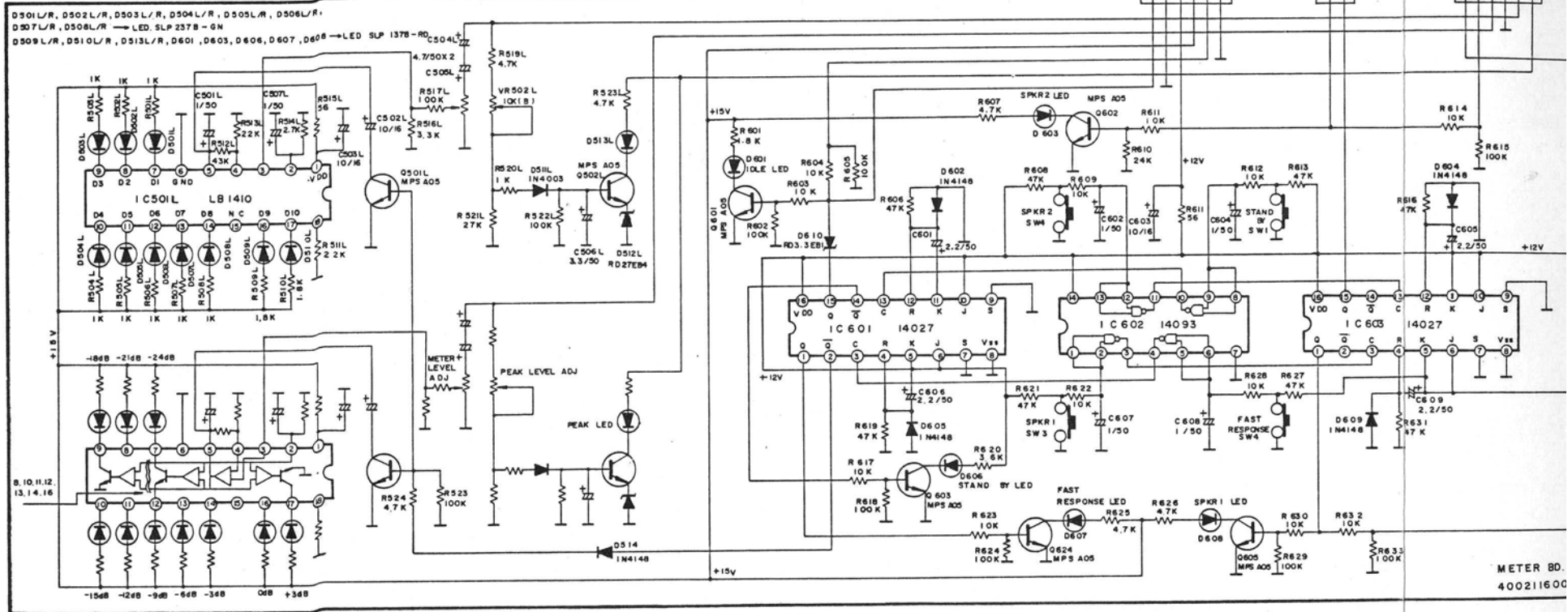
F

G

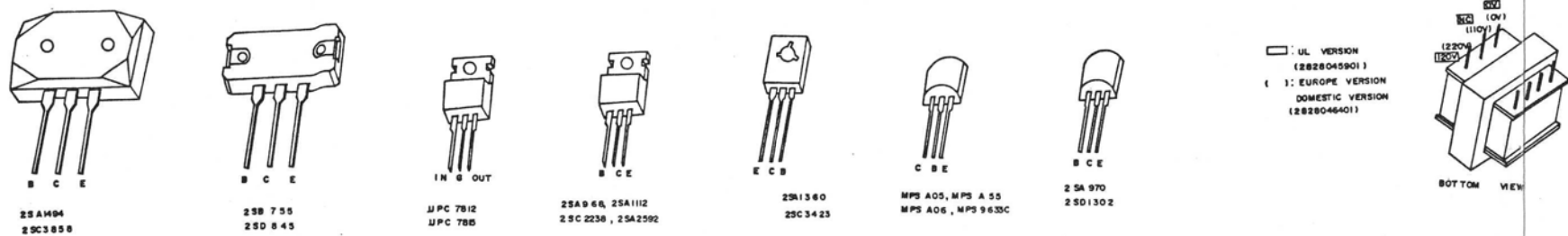
3



4



5



A B C D

