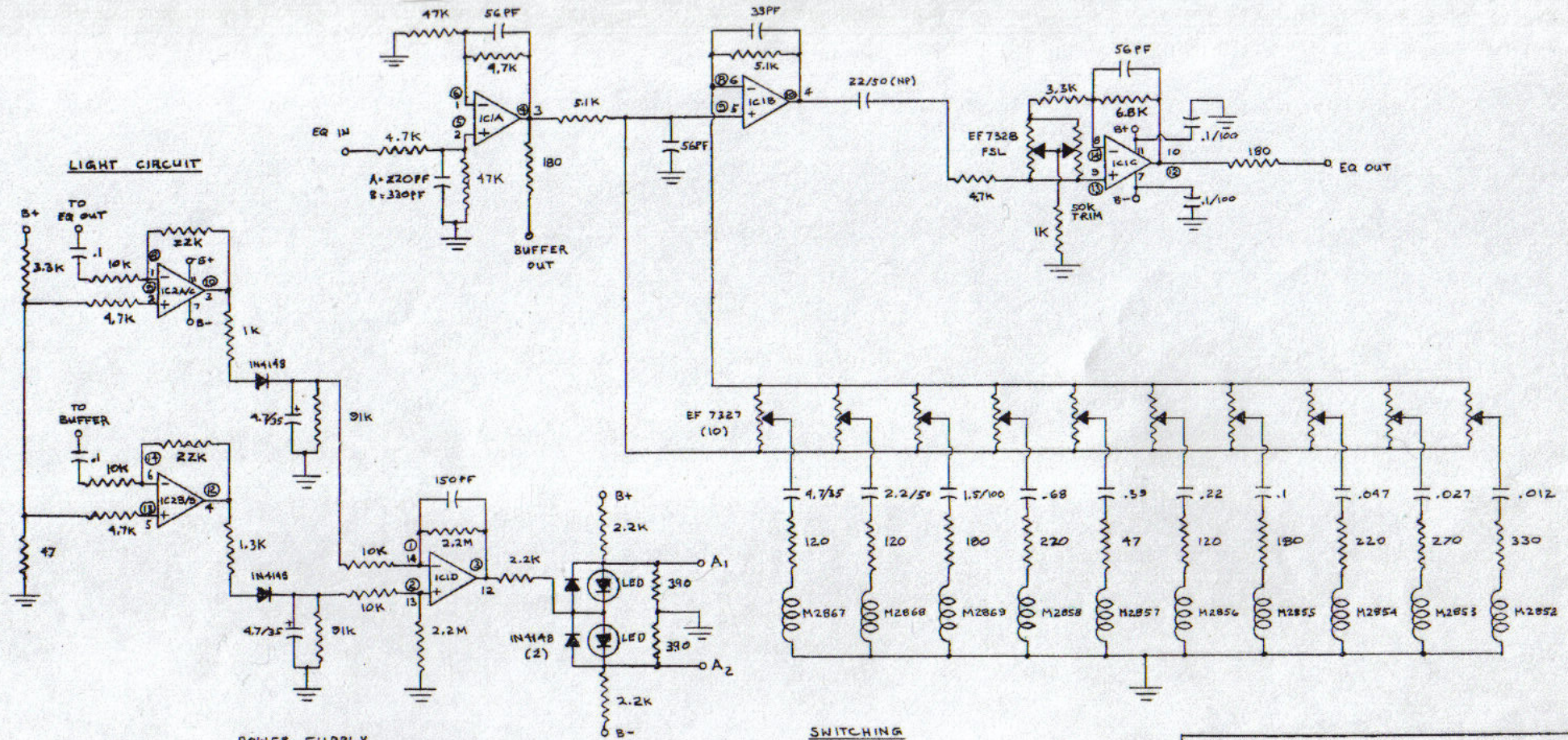
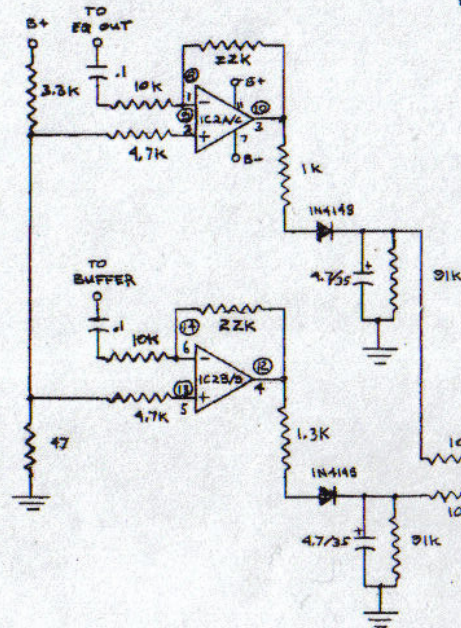


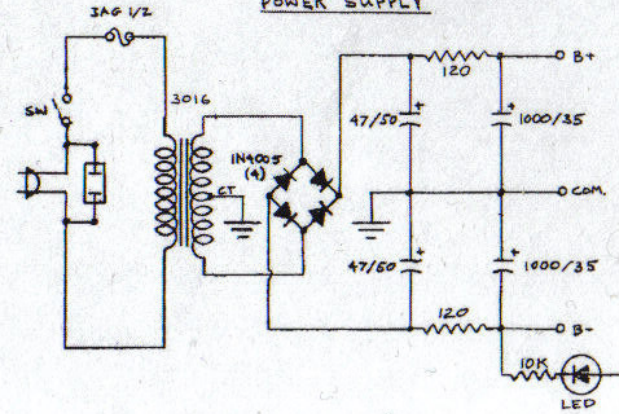
EQUALIZER



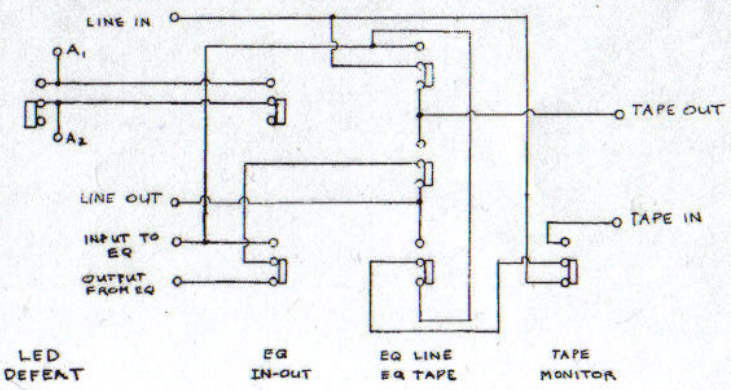
LIGHT CIRCUIT



POWER SUPPLY



SWITCHING



NOTES:
 ① ALL RESISTANCES IN OHMS, ALL CAPACITANCES IN MICROPARADS UNLESS OTHERWISE SPECIFIED.
 ② ALL IC'S: 4136CP,
 ③ CIRCLED PIN DESIGNATIONS ARE FOR CHANNEL B

SOUNDCRAFTSMEN		
SCALE:	APPROVED BY: <i>R.R.</i>	DRAWN BY: J.H.
DATE: 10-20-77		REVISED:
SCHEMATIC EQUALIZER		
MODEL RP-2215R		DRAWING NUMBER: 1463