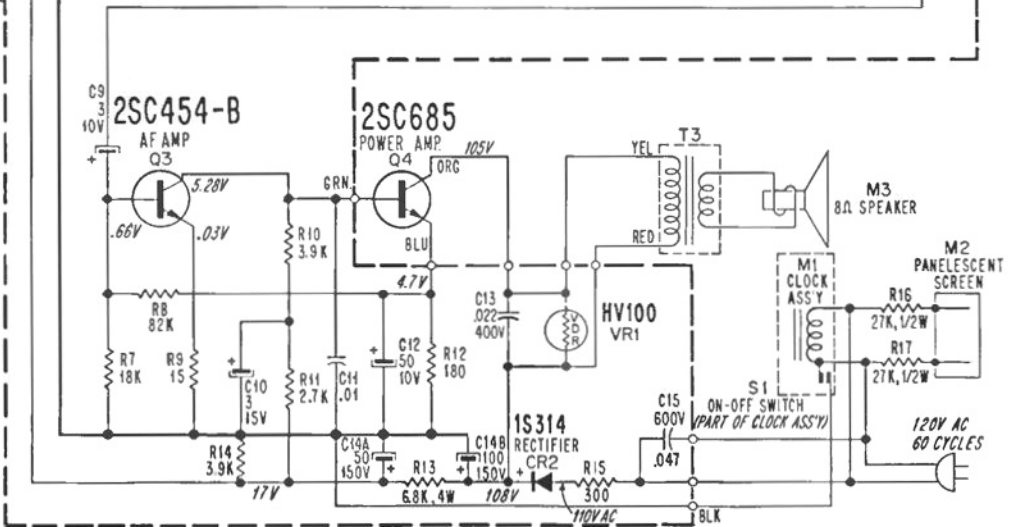
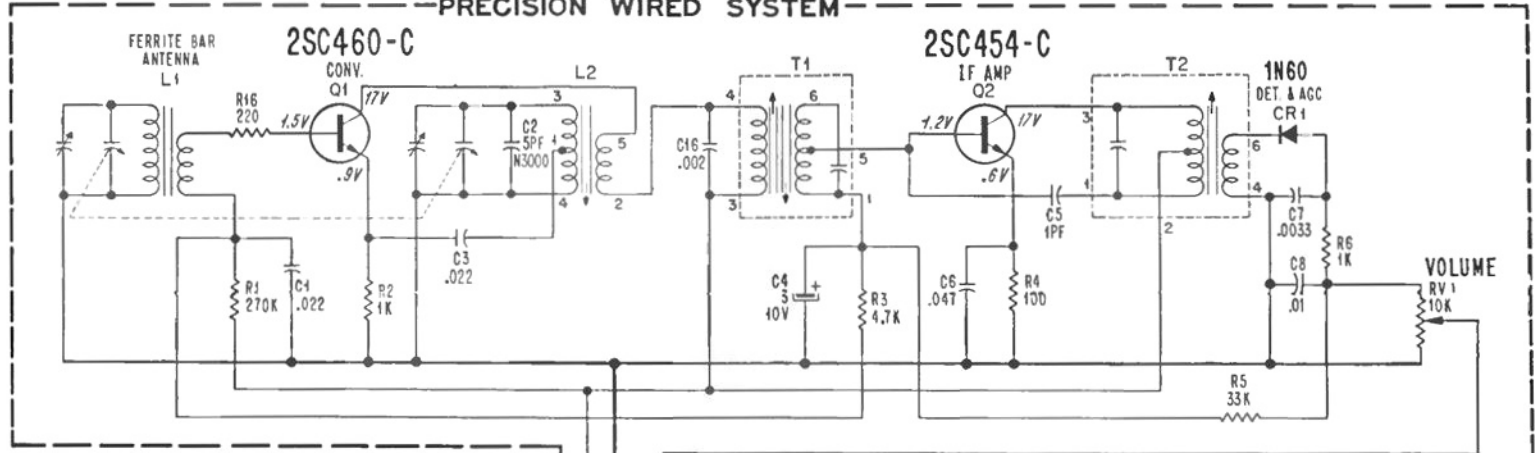
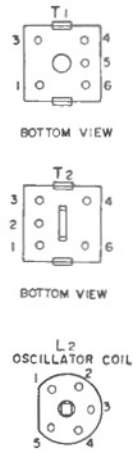
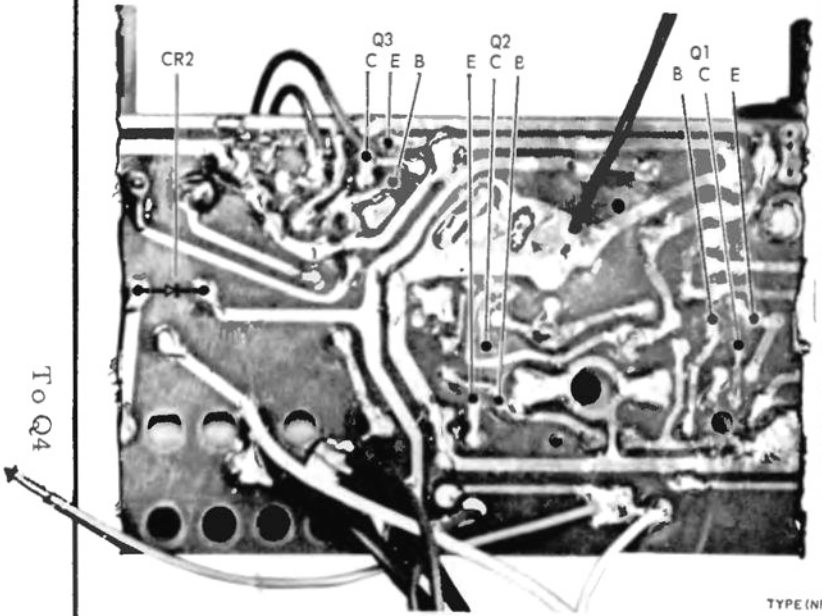


PRECISION WIRED SYSTEM

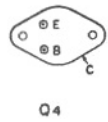
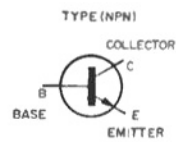


SCHMATIC DIAGRAM



BOTTOM VIEW OF BOARD

IF 455 KC



NOTES:

→ COMMON PRECISION WIRED GROUND. IF=455KC.
UNLESS OTHERWISE SPECIFIED, CAPACITOR VALUES IN MICROFARADS, RESISTOR VALUES IN OHMS 1/4 WATT, 10% VOLTAGE READINGS TAKEN AT 120 VOLTS AC LINE, BETWEEN POINTS SHOWN AND COMMON GROUND 1B-1, NO SIGNAL, VOLUME CONTROL AT MINIMUM. VTVM IS USED. CAUTION: WHEN ALIGNING OR TAKING VOLTAGES, USE AN ISOLATION TRANSFORMER TO PREVENT SHOCK OR DAMAGE TO TEST EQUIPMENT.