

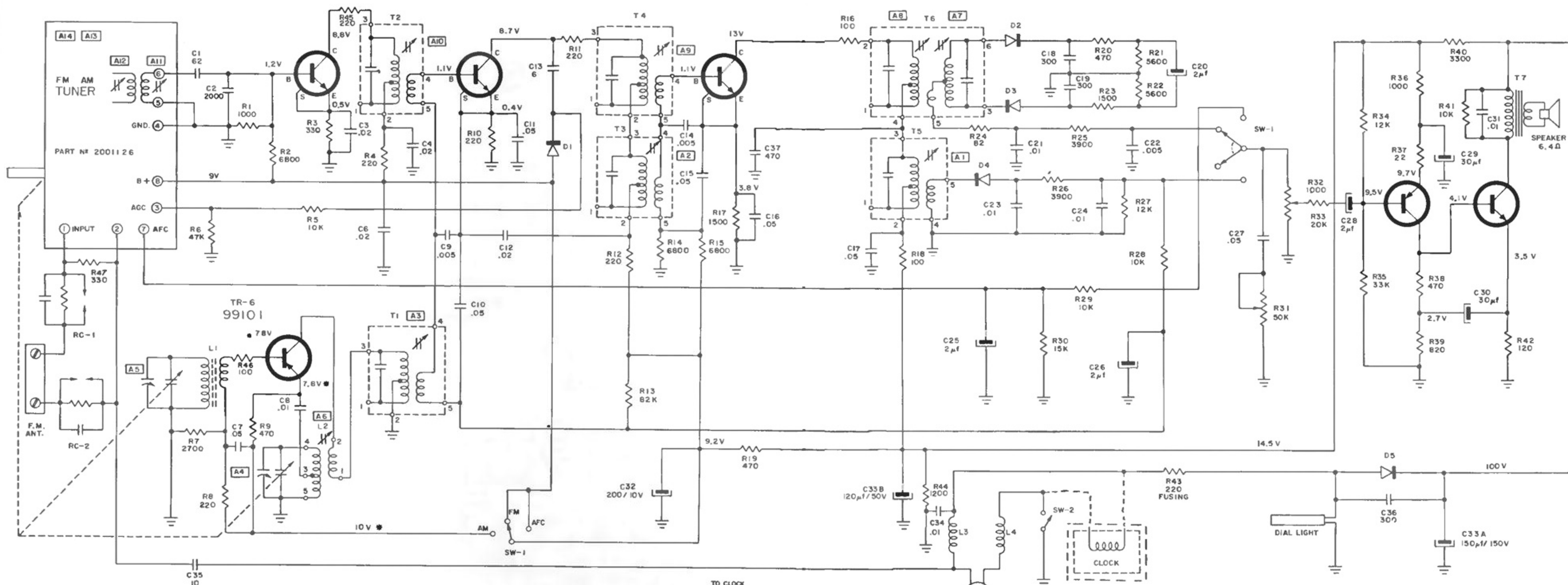
TR-3
95126

TR-4
95125

TR-5
95126

TR-7
99217

TR-8
99252-2



ALL VOLTAGES MEASURED WITH SW-1 IN FM POSITION SHOWN EXCEPT, TR-6 * VOLTAGES, WHICH ARE MEASURED IN AM POSITION.

CAPACITANCE VALUES LESS THAN 1.0 ARE IN MICROFARADS (μ f), AND VALUES GREATER THAN 1.0 ARE IN PICO-FARADS (p f) EXCEPT WHERE NOTED.

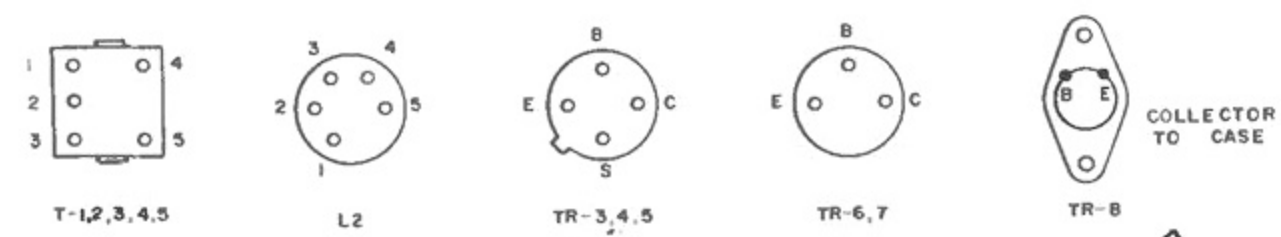
VOLTAGE READINGS TO COMMON GROUND (+) ARE MEASURED WITH VACUUM TUBE VOLTMETER UNDER NO SIGNAL CONDITIONS.

RESISTANCE VALUES ARE IN OHMS, K=1000

⊕ = COMMON GROUND SYMBOL.

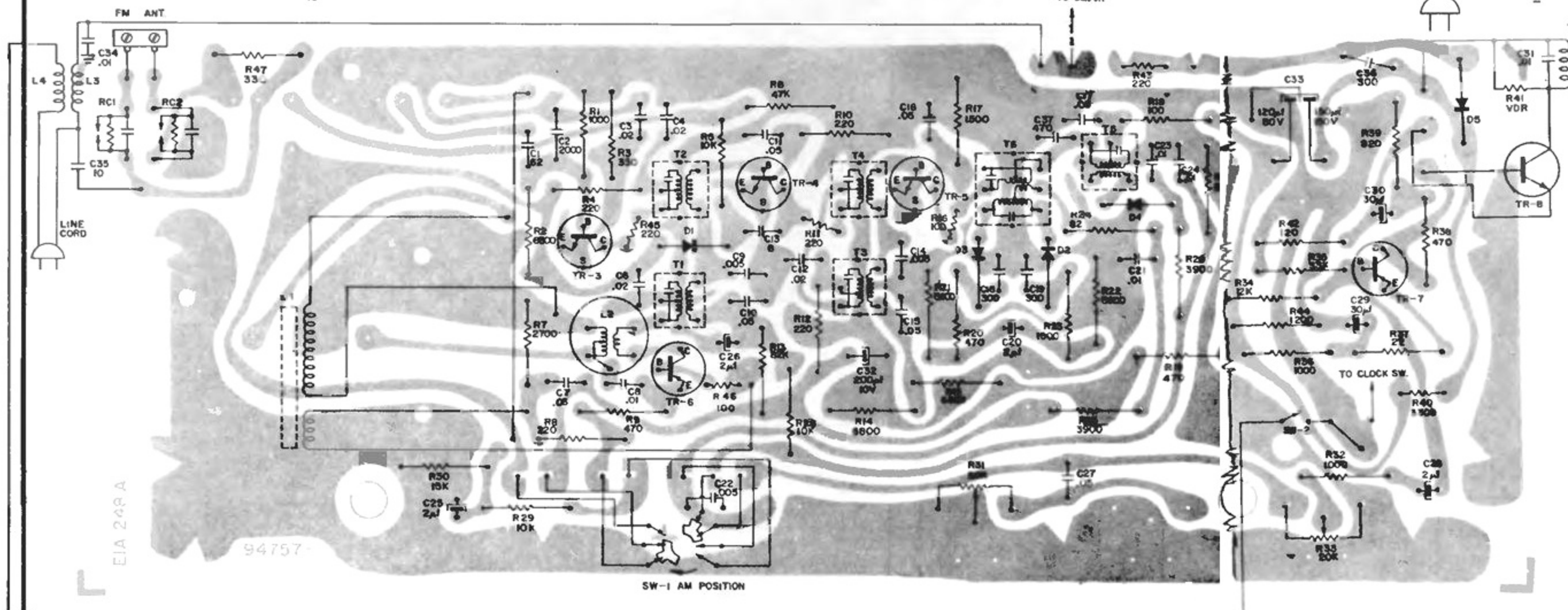
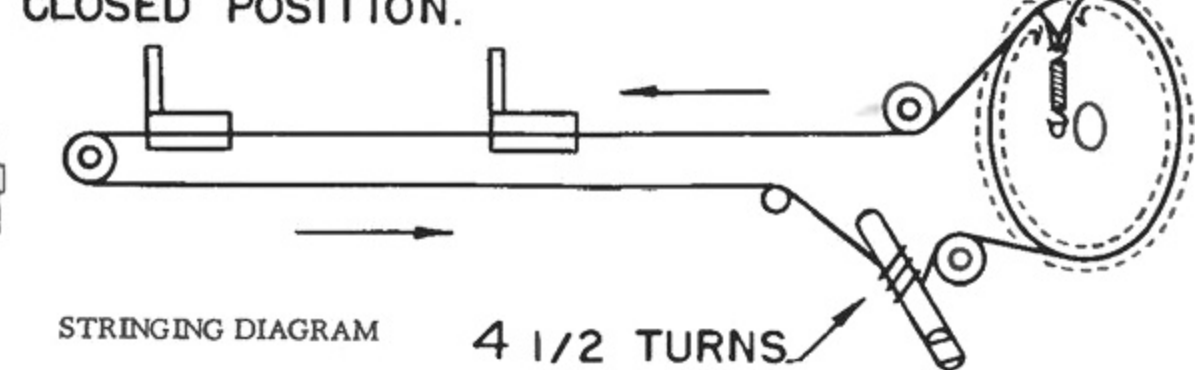
⊞ = EXTERNAL CONNECTION TO PRINTED CIRCUIT.

Transistor basing, bottom view.



VARIABLE SHOWN IN CLOSED POSITION.

START HERE



EIA 249 A

94757