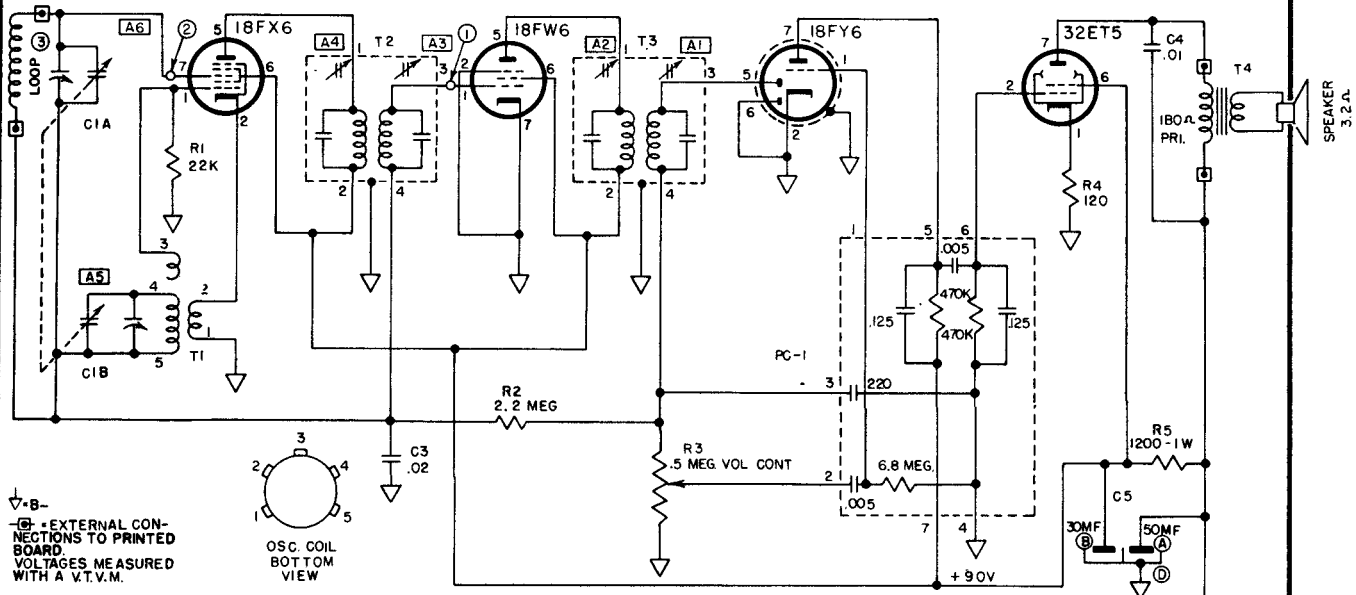


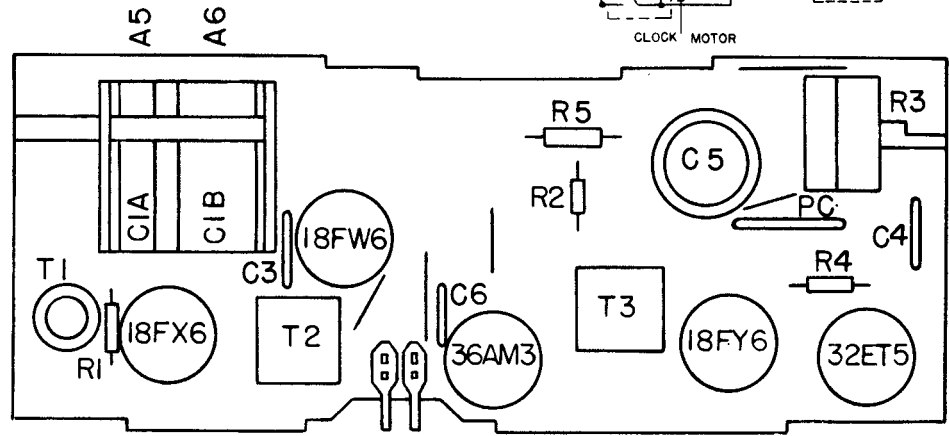
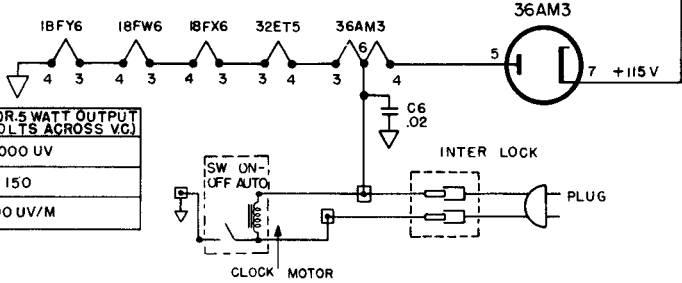
ARVIN Industries Model 5591, Chassis 1.46700. Model 5592, Chassis 1.46800, is electrically the same as data on this page except for clock connections.



RESISTANCE VALUES ARE IN OHMS, K=1,000, MEG=1,000,000. CAPACITANCE VALUES LESS THAN (1) ARE IN MICROFARADS (MF), AND VALUES OF (1) OR GREATER ARE IN MICROMICROFARADS (MUF), UNLESS OTHERWISE INDICATED.

APPROXIMATE SENSITIVITIES

CIRCUIT POINT	DUMMY TO GENERATOR	INPUT FOR .05 WATT OUTPUT (14 VOLTS ACROSS VC)	INPUT FOR .5 WATT OUTPUT (126 VOLTS ACROSS VC)
1	OS 44F AT 455 KC	2000 UV	5000 UV
2	OS 44F AT 455 KC	60	150
3	STANDARD LOOP AT 1000 KC	200UV/M	500 UV/M



ALIGNMENT PROCEDURE

Position of Variable	Frequency of Generator	Dummy Antenna	Generator Output Connection	Trimmers Adjusted in Order Shown for Maximum Output	Function of Trimmer
Open	455 Kc	.05 μ fd	Pin 7 18FX6	A1, A2, A3, A4	I. F.
Open	1670 Kc		Test Loop	A5	Oscillator
1400	1400 Kc		Test Loop	A6	Antenna
1000	1000 Kc		Test Loop	Fan C1A Plates	
600	600 Kc		Test Loop	Fan C1A Plates	