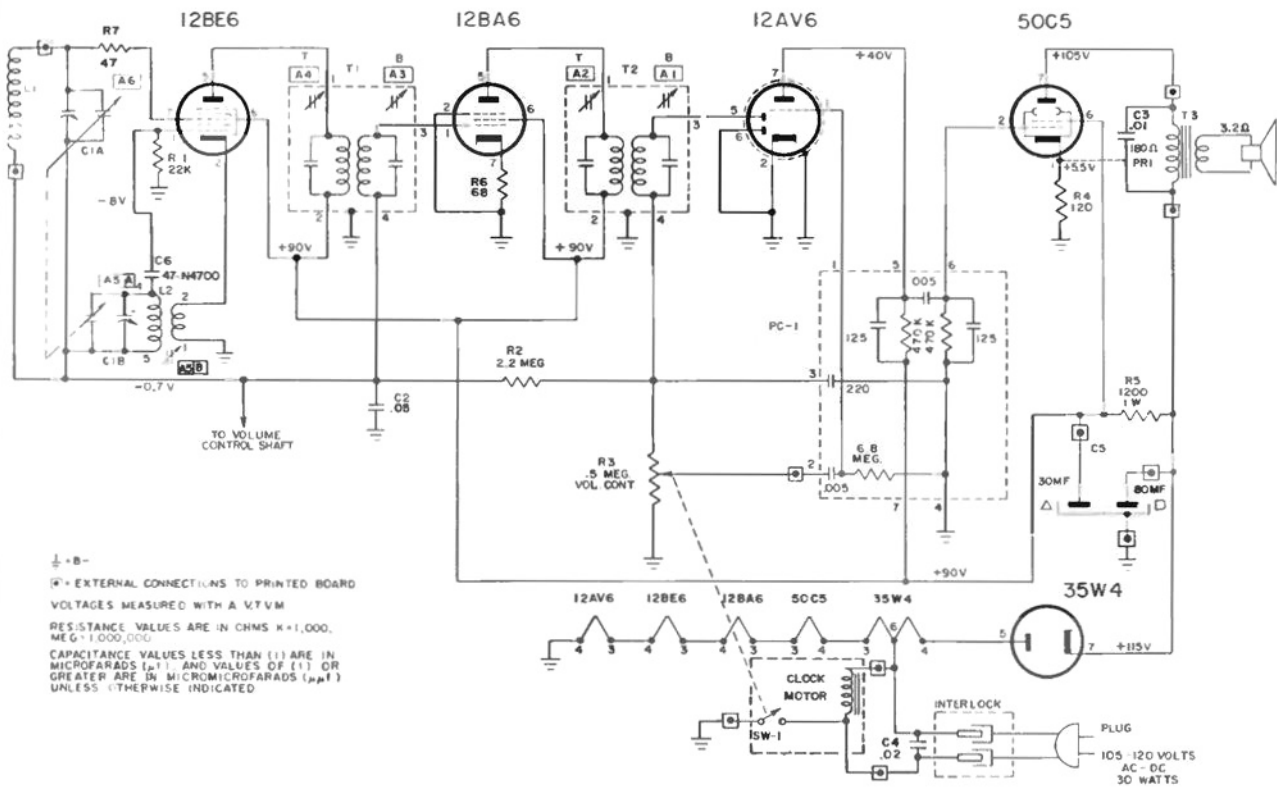
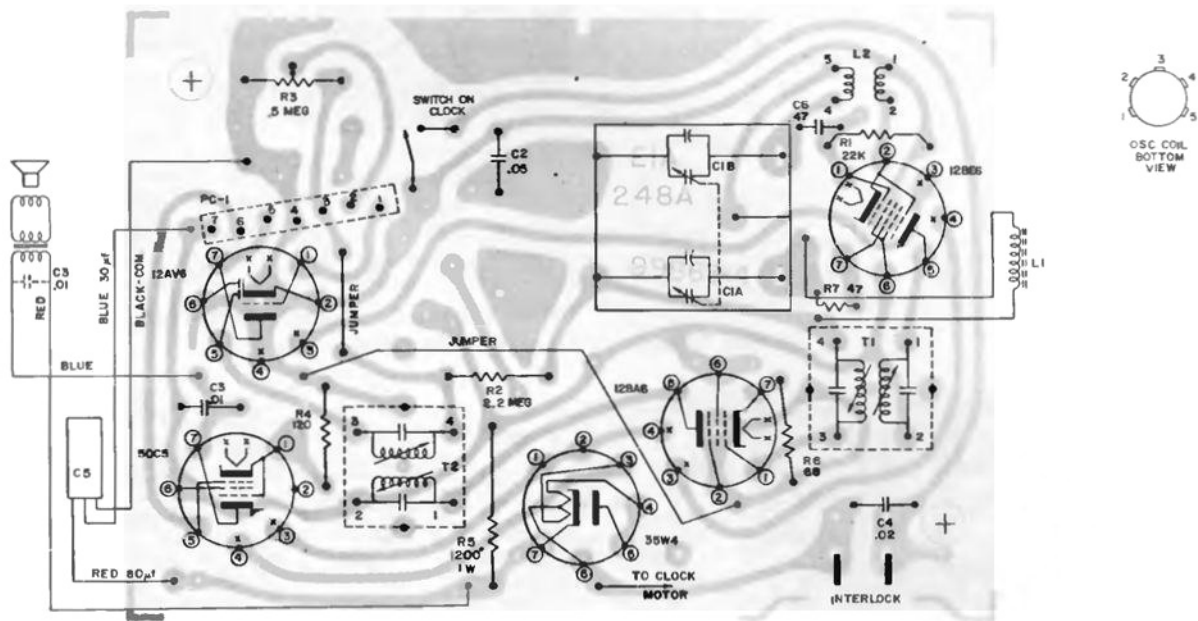


# ARVIN Models 55R77, 55R87



\* EXTERNAL CONNECTIONS TO PRINTED BOARD  
 VOLTAGES MEASURED WITH A VTVM  
 RESISTANCE VALUES ARE IN OHMS X+1,000,  
 MEG = 1,000,000  
 CAPACITANCE VALUES LESS THAN (1) ARE IN  
 MICROFARADS (μF), AND VALUES OF (1) OR  
 GREATER ARE IN MICROMICROFARADS (μμF)  
 UNLESS OTHERWISE INDICATED



Position of Variable	Frequency of Generator	Dummy Antenna	Generator Output Connection	Adj. Trimmer for Max. Output	Trimmer Function
Open	455 Kc	.05 mfd.	Pin 7 of 12BE6	A1, A2, A3, A4	I. F.
Open	1620 Kc		*Test Loop	A5A	Oscillator
1400 Kc	1400 Kc		*Test Loop	A6	Antenna
600 Kc	600 Kc		*Test Loop	Check Point	
Closed	530 Kc		*Test Loop	A5B	Oscillator

Recheck A5A (1620 kc) after adjustment of A5B.

\*Three (3) turns of wire 6" in diameter placed about one foot from the receiver antenna.