

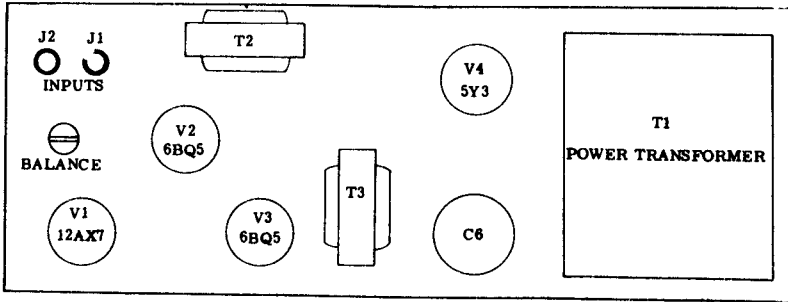
COLUMBIA

Models C1152, C1154,
C1156, and C1160

The Amplifier is a stereo self contained amplifier containing two complete amplification channels, using 6BQ5 tubes used as single-ended output in

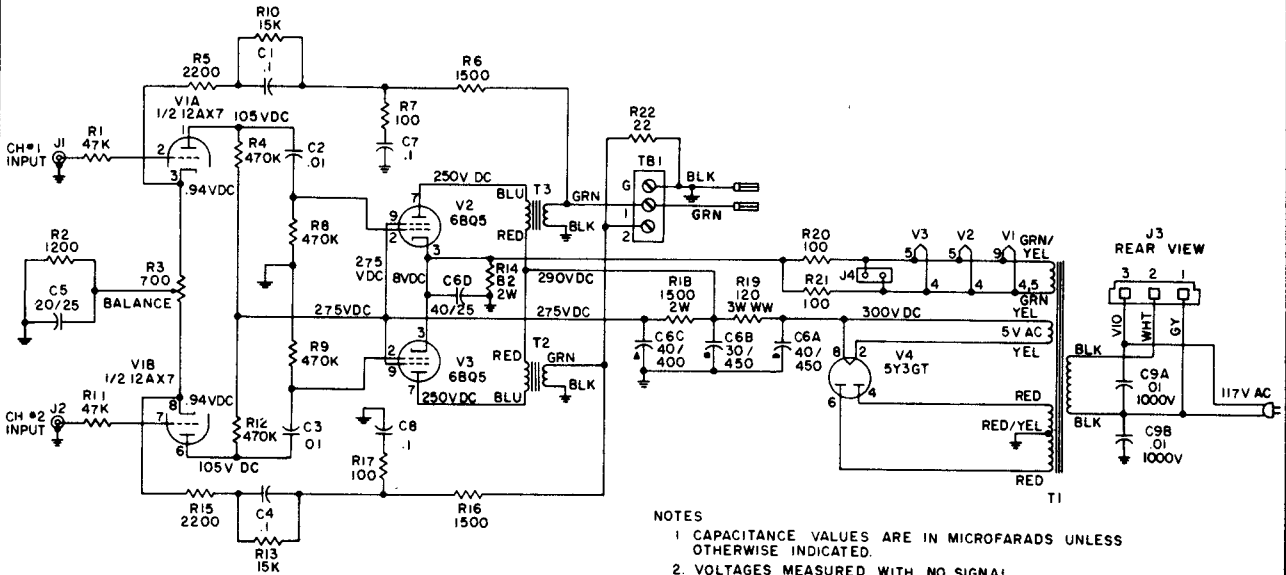
each channel. A control unit containing dual controls to provide adjustment of both channels simultaneously is used with this amplifier.

CHASSIS LAYOUT



SPECIFICATIONS

Power Supply Voltage	117 volts
Frequency	60 cps.
Wattage	95 watts
Audio System	
Output Trans. Impedance	
CH-1 Pri. 5200	Sec. 3.2
CH-2 Pri. 5200	Sec. 3.2



NOTES

1. CAPACITANCE VALUES ARE IN MICROFARADS UNLESS OTHERWISE INDICATED.
2. VOLTAGES MEASURED WITH NO SIGNAL.
3. VOLTAGES MEASURED IN REFERENCE TO GROUND.
4. LINE VOLTAGE IS 117V AC, 60CPS.

