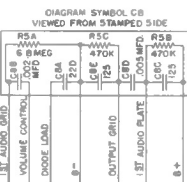
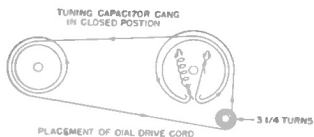


CROSLEY

MODELS: E10BE, E10CE, E10RD, E10WE

(Chassis 10E, 10E-1)

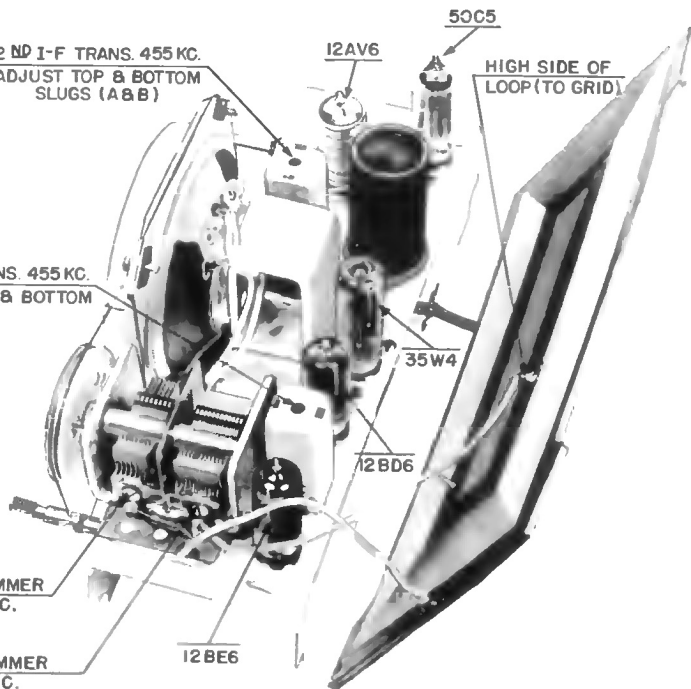


1ST I-F TRANS. 455 KC. ADJUST TOP & BOTTOM

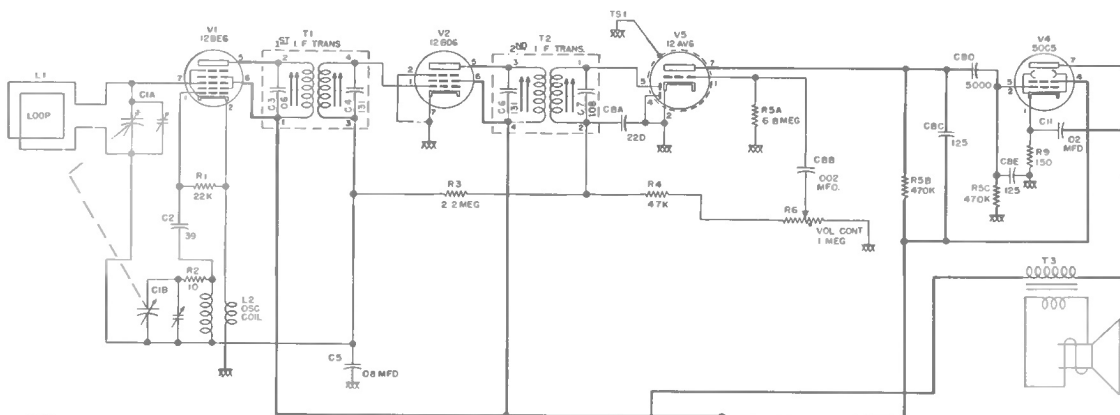
2ND I-F TRANS. 455 KC. ADJUST TOP & BOTTOM SLUGS (A & B)

E OSC. TRIMMER 1620 KC.

F ANT. TRIMMER 1400 KC.



Alignment Sequence	Signal Generator Output		Position of Dial pointer	Adjust for Maximum Output
	Frequency in KC	In Series with		
1	455	200 mmf.	High Side of Loop	A, B, C & D
2	1620	Radiated to Loop	1620	E
3	1400	Radiated to Loop	Tune to Signal	F



- NOTES
- 1 K=1000
 - 2 ALL RESISTANCE VALUES IN OHMS AND CAPACITANCE VALUES IN MMF UNLESS OTHERWISE NOTED
 - 3 NUMBER ONE TERMINAL ON I F TRANSFORMERS COILS WITH GREEN DOT, NUMBERS PROGRESS CLOCKWISE
 - 4 I F = 455 KC
 - 5 CHASSIS
- XXX COMMON WIRING

