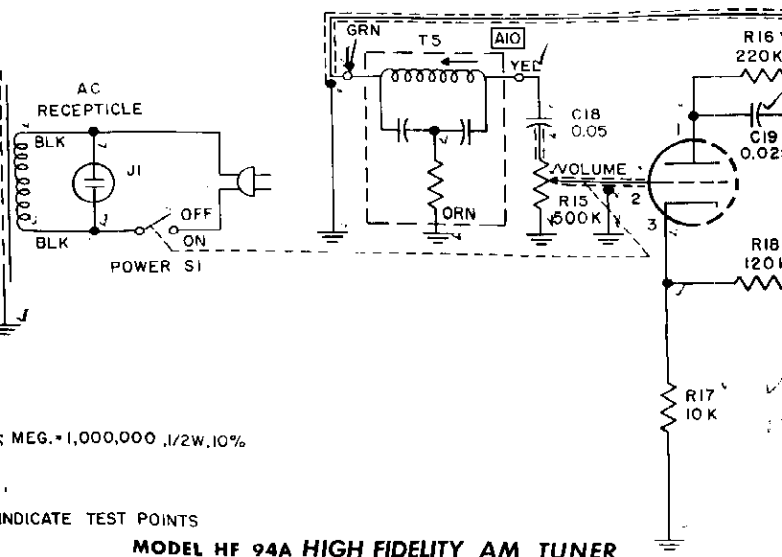
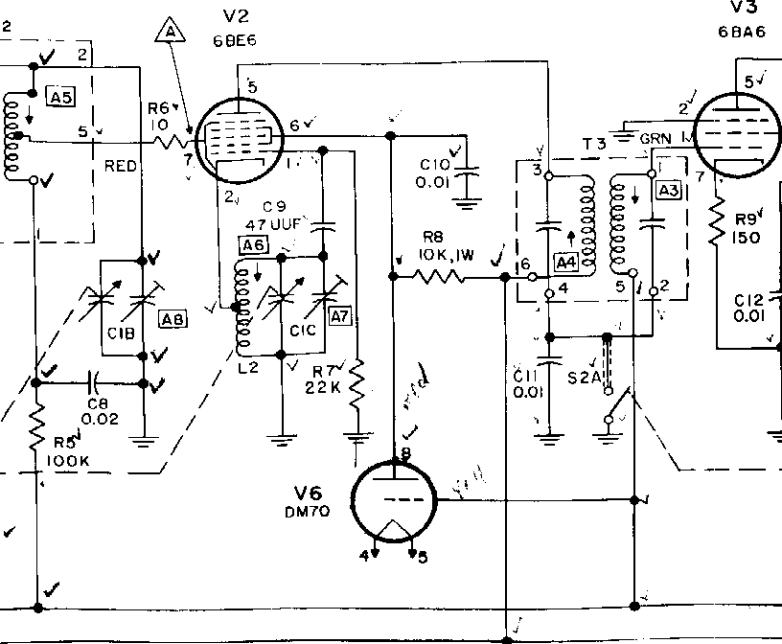


NOTES:

1. UNLESS OTHERWISE SHOWN:  
RESISTOR VALUES ARE OHMS ; K=1,000 ; MEG.=1,000,000 ;  
CAPACITOR VALUES ARE UF.
2. CIA,B,C IS A 3-GANG VARIABLE CAPACITOR.
3. [A] = INDICATES ALIGNING POINTS      Δ = INDICATE TEST POINT

MOD

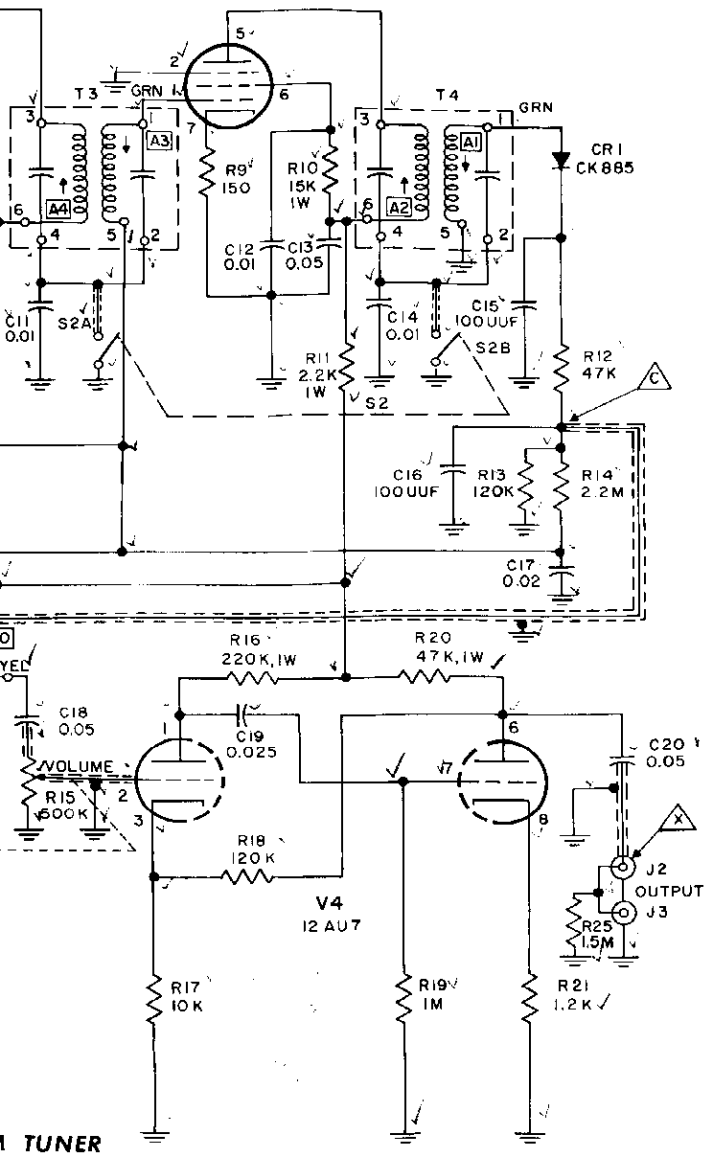


MEG. = 1,000,000, 1/2W, 10%

INDICATE TEST POINTS

**MODEL HF 94A HIGH FIDELITY AM TUNER**

V3  
6BA6



TUNER