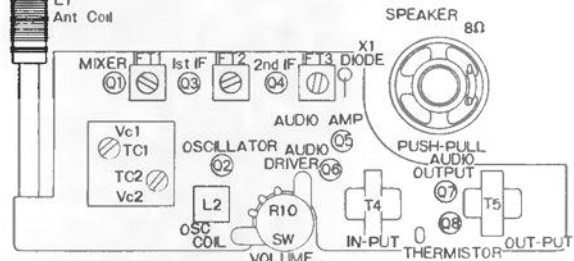
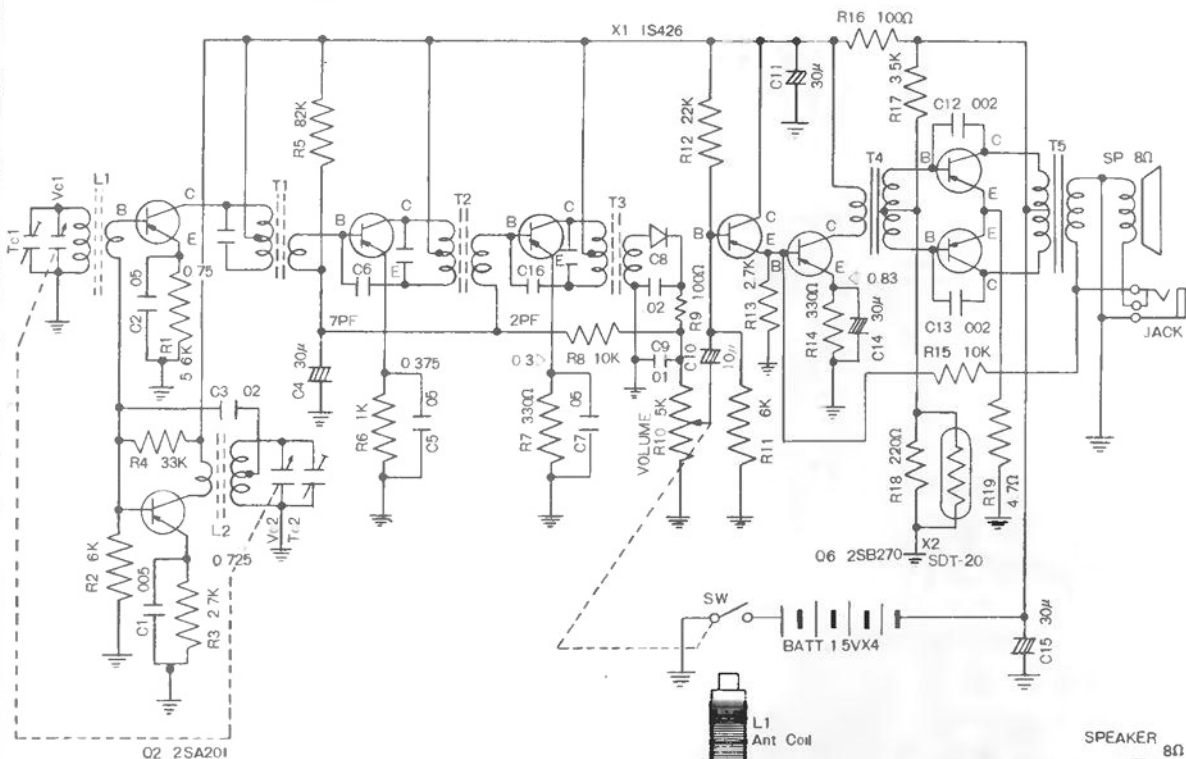


01 2SA201    03 2SA203    04 2SA329    05 2SB270    07 08 2SB187X2



TRANSISTOR AND ALIGNMENT POINT LOCATION

