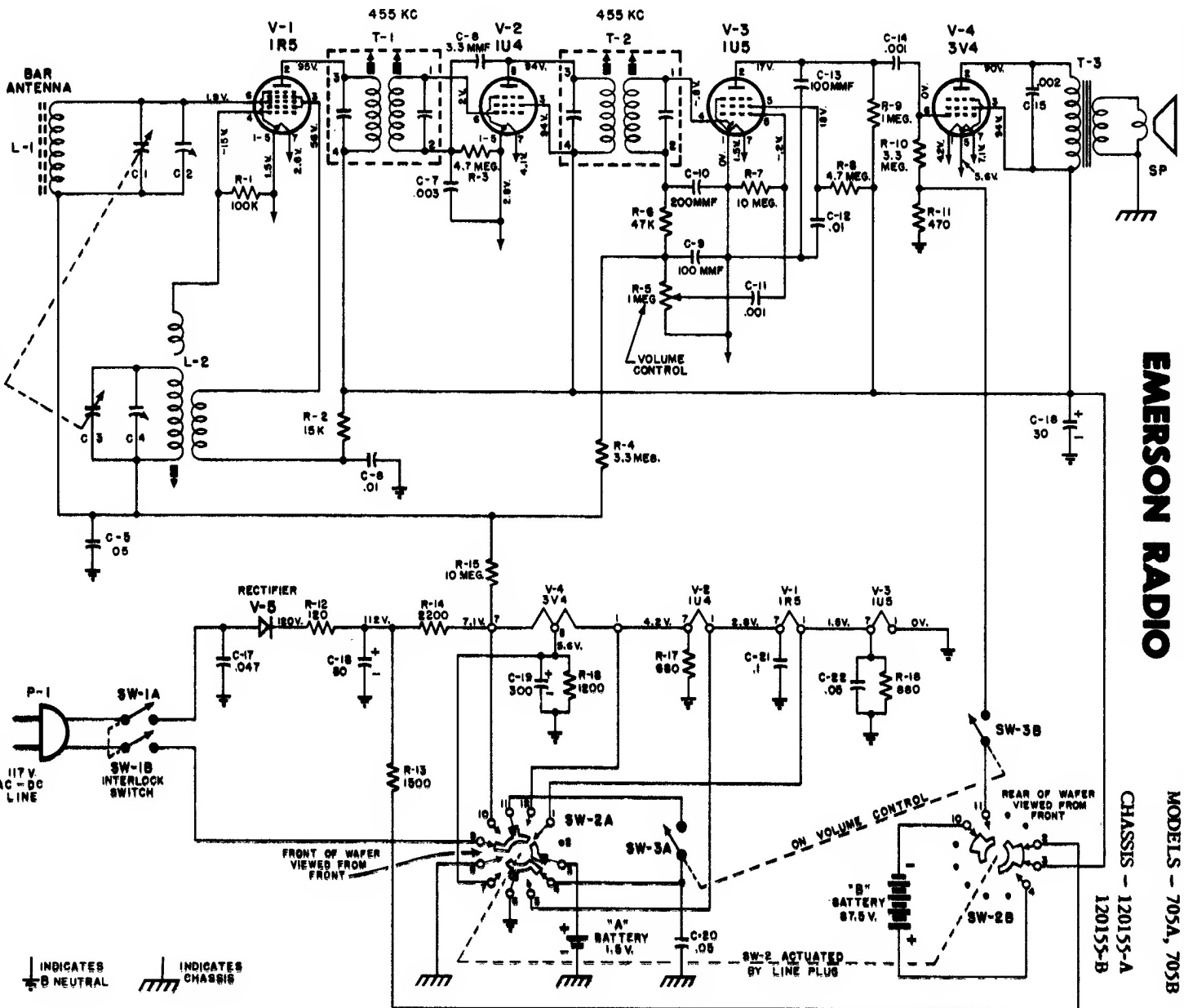


EMERSON RADIO

MODELS - 705A, 705B

CHASSIS - 120155-A
120155-B



RESISTANCE READINGS FOR CHASSIS 120155-A AND 120155-B

SYMBOL	TUBE	PIN 1	PIN 2	PIN 3	PIN 4	PIN 5	PIN 6	PIN 7
V-1	1R5	26	3.5 K	18 K	95 K	26	3 MEG	42
V-2	1U4	42	3.5 K	3.5 K	3.5 K	42	3.8 MEG	55
V-3	1U5	0	1 MEG	4 MEG	1 MEG	12 K	10 MEG	26
V-4	3V4	55	4 K	3.5 K	420	62	3.2 MEG	72
V-5	SELENIUM RECTIFIER							

VOLTAGE READINGS ON SCHEMATIC DIAGRAM

INDICATES
⊖ NEUTRAL

INDICATES
⊥ CHASSIS