

# Emerson

MODEL 888, "ATLAS," "EXPLORER," "VANGUARD,"  
CHASSIS 120374 (See page 36 for Chassis 120485)

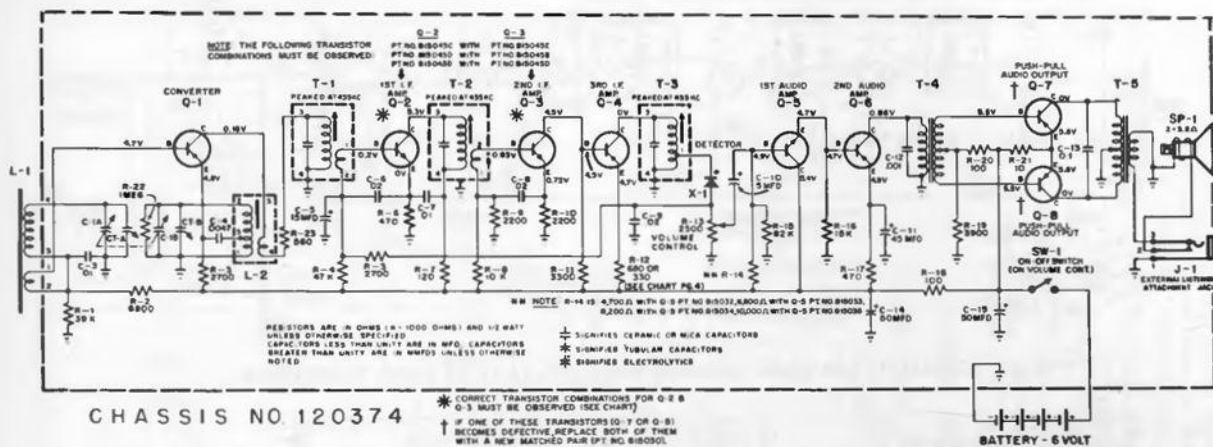


FIG. 1 - SCHEMATIC DIAGRAM, CHASSIS 120374  
(VOLTAGE READING CONDITIONS ON PAGE 36)

TRANSISTOR PAIRS		ASSOCIATED R12
Q2	Q3	
815026C	815026A	680
815026B	815026B	680
815026B	815026D	680
815026C	815026E	680
815026D	815026E	680
815026C	815026F	330
815045C	815045E	680
815045D	815045B	680
815045D	815045D	680

TRANSISTOR SUBST.		TRANSISTOR NOS.
FOR	USE	
815026B	815026D	Q2/Q3
815026A	815026E	Q2/Q3
815026C	No subst.	Q2/Q3
815026F	815032	Q5
815028	815032	Q5
815031	815032	Q5
815033	815032	Q5
815034	815032	Q5
815035	815032	Q5

TRANSISTOR Q5	ASSOCIATED R14
815031	3,300
815028	8,200
815032	4,700
815033	6,800
815034	8,200
815035	10,000

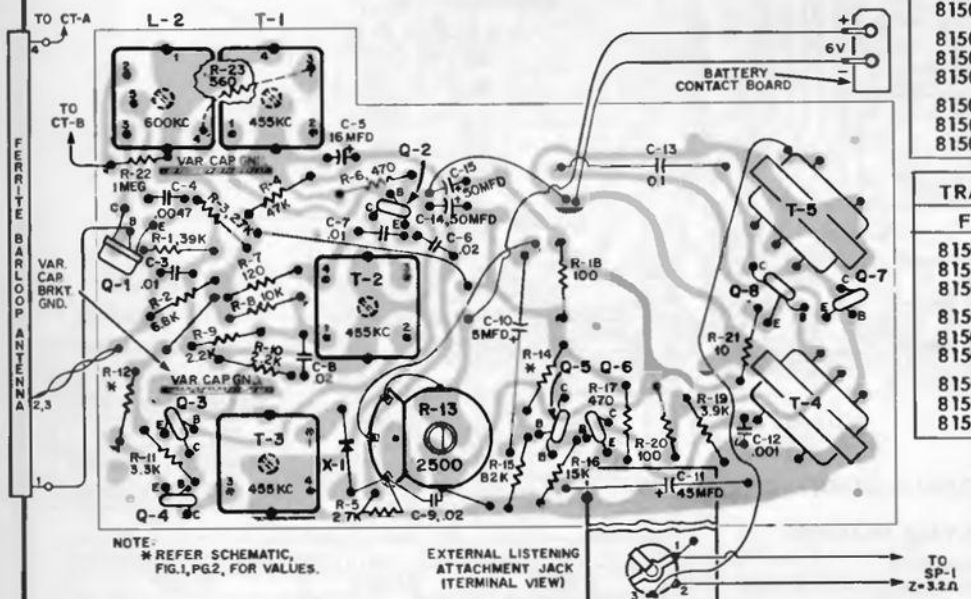


FIG. 2 - ETCHED PRINTED CIRCUIT, CHASSIS 120374 (TOP VIEW)

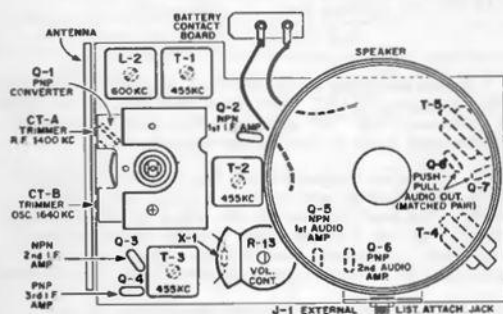


FIG. 4 - TRANSISTOR & ALIGNMENT POINT LOCATION, CH. 120374

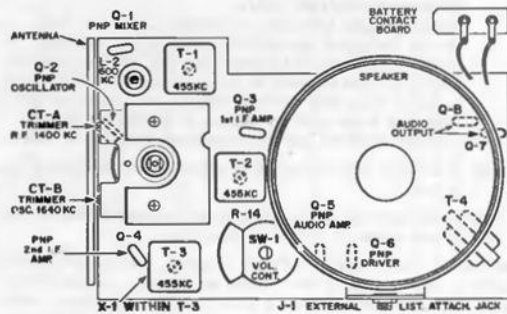


FIG. 5 - TRANSISTOR & ALIGNMENT POINT LOCATION, CH. 120485