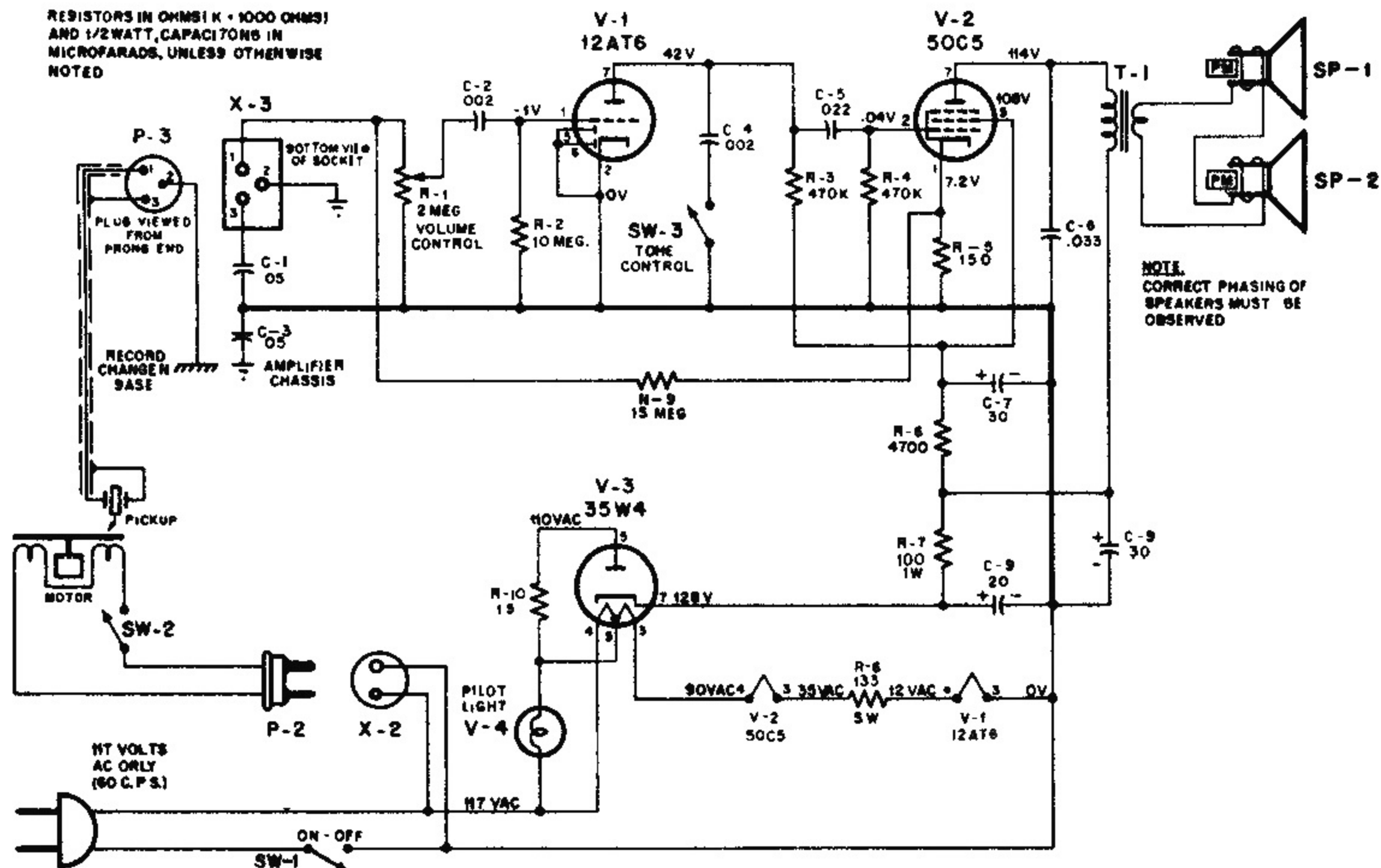
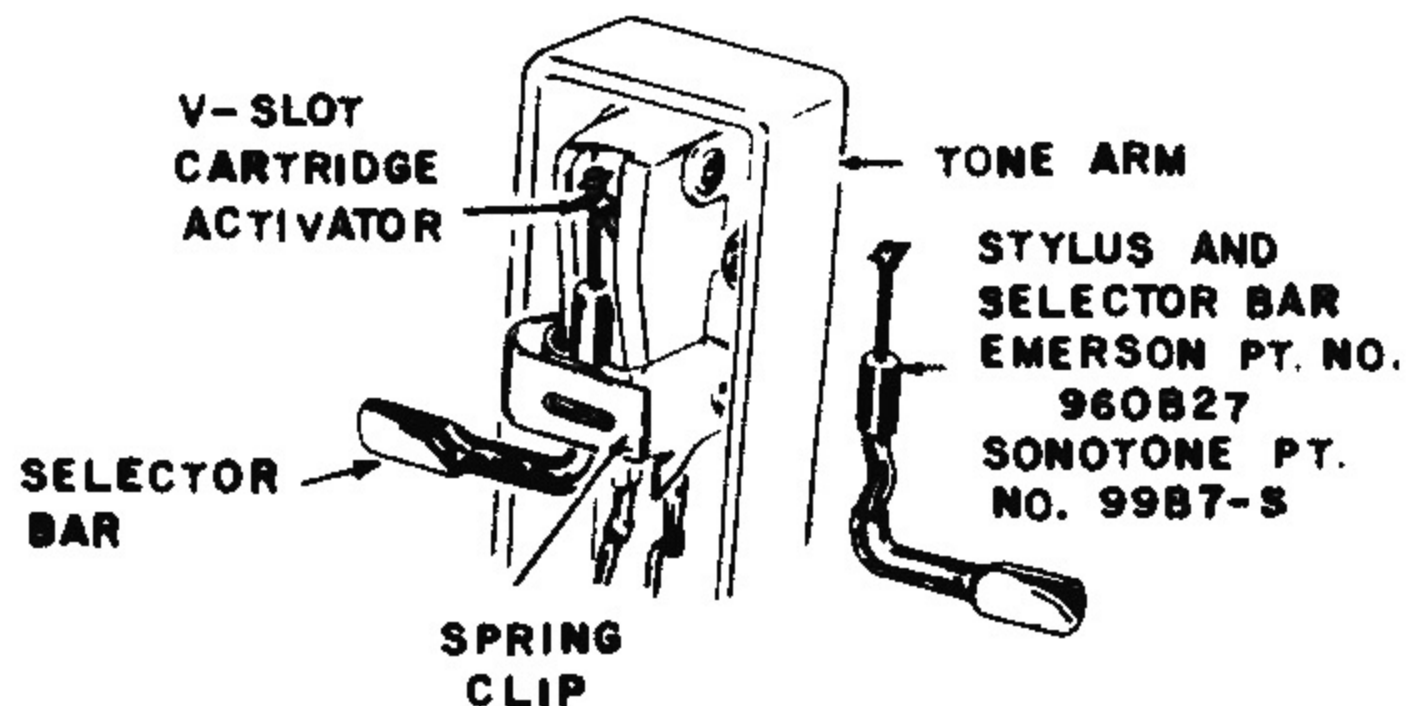


RESISTORS IN OHMS, K = 1000 OHMS,
AND 1/2 WATT, CAPACITORS IN
MICROFARADS, UNLESS OTHERWISE
NOTED



Emerson

Model 891B, Chassis 120399B



TO REPLACE STYLUS AND SELECTOR BAR

For best operation and record tracking, it is recommended that the stylus (needle) and selector bar (flip-over arm) be replaced as a single unit. To change this unit, proceed as follows:

1. Lift up tone arm.
2. With one hand, hold spring clip in a direction away from tone arm.
3. With other hand, slide out selector bar and stylus as shown in diagram.
4. To replace new stylus and selector bar, reverse above procedure.

1. Voltages indicated are positive d.c., resistances in ohms, unless otherwise indicated.
2. Measurements made with voltohmmyst or equivalent.
3. All measurements taken from pin to B neutral unless otherwise indicated.
4. Voltage measurements taken with:
 - a) Line voltage maintained at 117 volts a.c. only.
 - b) Volume control set for maximum volume.
 - c) Phono plugs disconnected.
5. Resistance measurements taken with:
 - a) Power line cord disconnected from outlet.
 - b) Volume control set for maximum volume.
 - c) Phono plugs disconnected.
6. Nominal tolerance on component values make possible a variation of $\pm 15\%$ in voltage and resistance readings.