

GENERAL ELECTRIC

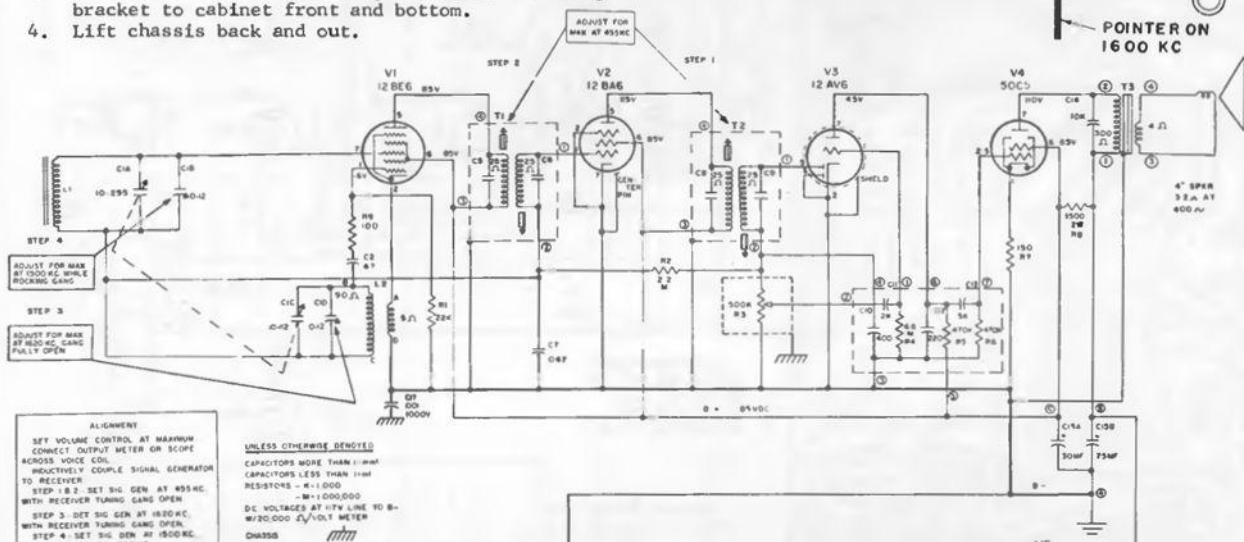
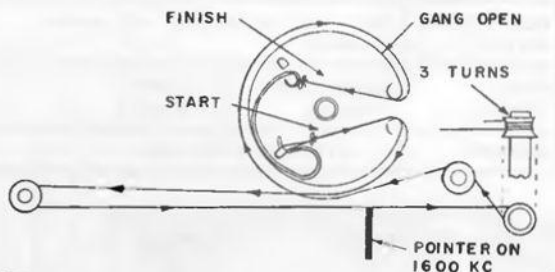
TO REMOVE CABINET BACK

1. Remove time-set knob.
2. Remove two screws on bottom fastening cabinet back to cabinet front.
3. Remove screw above appliance outlet.
4. Disengage two snaps on top front of cabinet by exerting forward pressure on top rear of cabinet until bottom of cabinet back comes loose.
5. Pull cabinet back out.

Models C-450A, -B, C-451A, -B, C-452A, -B

TO REMOVE CHASSIS

1. Follow steps one thru five as above.
2. Pull off knobs.
3. Remove four screws fastening chassis mounting bracket to cabinet front and bottom.
4. Lift chassis back and out.



ALIGNMENT
 SET VOLUME CONTROL AT MAXIMUM
 CONNECT OUTPUT METER OR SCOPE
 ACROSS VOICE COIL
 INDUCTIVELY COUPLE SIGNAL GENERATOR
 TO RECEIVER
 STEP 1 - SET SIG GEN AT 850 KC
 WITH RECEIVER TUNING GANG OPEN
 STEP 2 - SET SIG GEN AT 1600 KC
 WITH RECEIVER TUNING GANG OPEN
 STEP 3 - SET SIG GEN AT 1600 KC
 TUNE RECEIVER TO 1500 KC

UNLESS OTHERWISE DENOTED
 CAPACITORS MORE THAN 1-MF
 CAPACITORS LESS THAN 1-MF
 RESISTORS - K = 1,000
 - M = 1,000,000
 D.C. VOLTAGE AT 17V LINE TO B-
 W/20,000 Ω/VOLT METER
 CHASSIS

