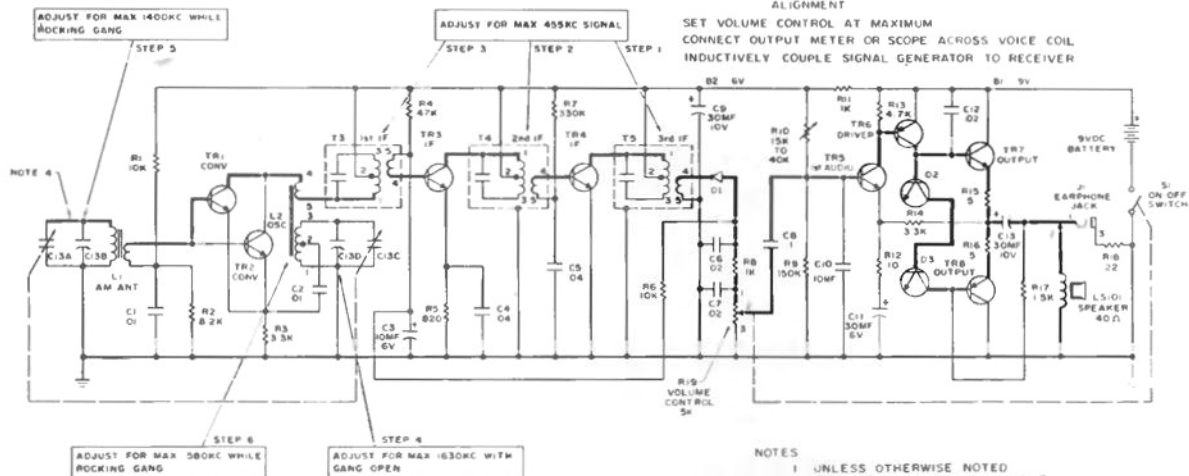


### ALIGNMENT

SET VOLUME CONTROL AT MAXIMUM  
CONNECT OUTPUT METER OR SCOPE ACROSS VOICE COIL  
INDUCTIVELY COUPLE SIGNAL GENERATOR TO RECEIVER



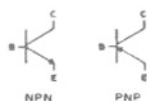
### NOTES

- UNLESS OTHERWISE NOTED CAPACITORS MORE THAN 1- $\mu$ F CAPACITORS LESS THAN 1- $\mu$ F RESISTORS ARE IN OHMS K=1000
- VOLTAGES ARE POSITIVE WITH RESPECT TO GROUND UNDER NO SIGNAL CONDITIONS AND VOLUME CONTROL MINIMUM

TRANS	C	B	E
1	6	27	2-5
2	6	27	2-10
3	6	0	3-5
4	4	7	0
5	B4	54	4-9
6	4B	84	9
7	9	48	4-3
8	0	35	4-2

### BOTTOM VIEW OF COMPONENTS

#### TRANSISTORS



#### TRANSFORMERS

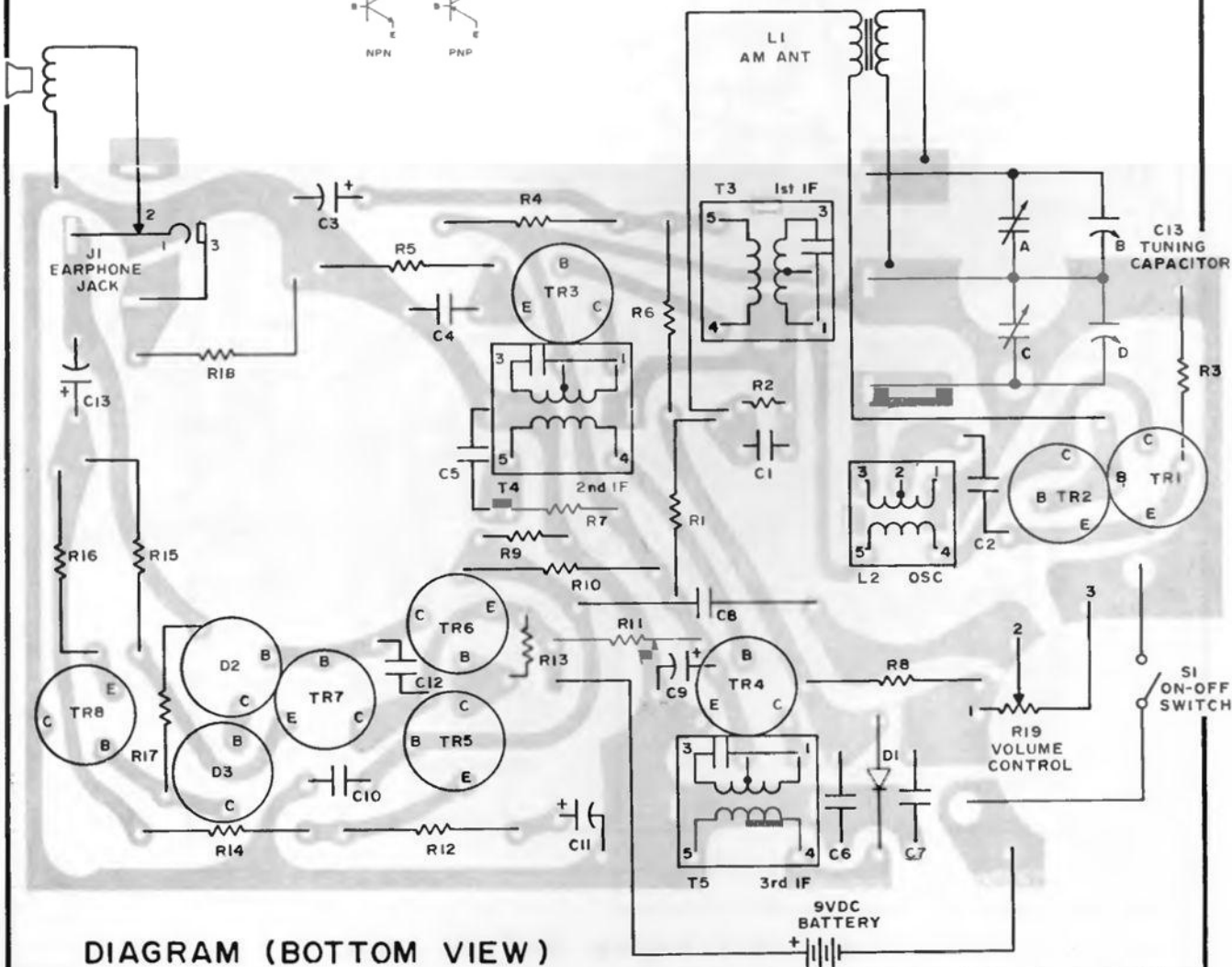


DIAGRAM (BOTTOM VIEW)